

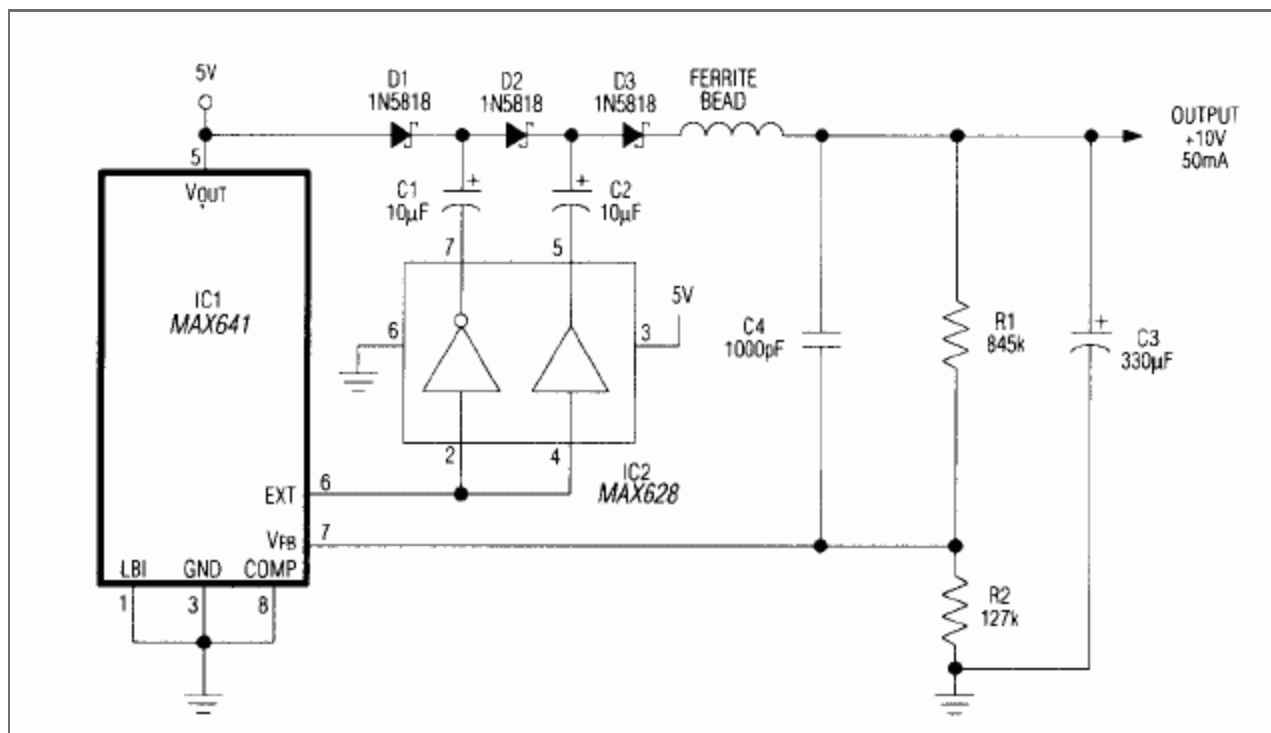
Keywords: Regulated Charge Pump Delivers 50mA

APPLICATION NOTE 35

Regulated Charge Pump Delivers 50mA

Jul 09, 1998

The DC-DC converter circuit of **Figure 1** substitutes a voltage tripler in place of the external inductor and diode normally associated with switching regulator IC1. Inverting and noninverting drivers in the MOSFET-driver chip (IC2) activate a diode/capacitor tripling network (D1-D3, C1-C3). In comparison with charge pumps based on single-polarity drivers, the buffer/inverter combination of IC2 enables this circuit to deliver more current with fewer parts.



The diode-capacitor tripler network in this step-up switching regulator develops 10V from a 5V input, and delivers 50mA.

A 50kHz oscillator within IC1 produces the EXT signal (pin 6), which IC2 converts to drive signals (180° out of phase) for the tripler. The resulting charge-discharge action in the capacitors recharges C3 toward 10V every 20µs. The ferrite bead limits output ripple to about 20mV_{P-P} for a 50mA load.

Conversion efficiency (**Figure 2**) is about 70% for the 5V-in, 10V-out configuration shown. You should use

low-ESR capacitors and Schottky diodes to assure the 50mA-output capability. Resistors R1 and R2 determine V_{OUT} , which can range as high as 15V with proportionally lower output current: $R_1 = R_2[(V_{OUT}/1.31V)-1]$.

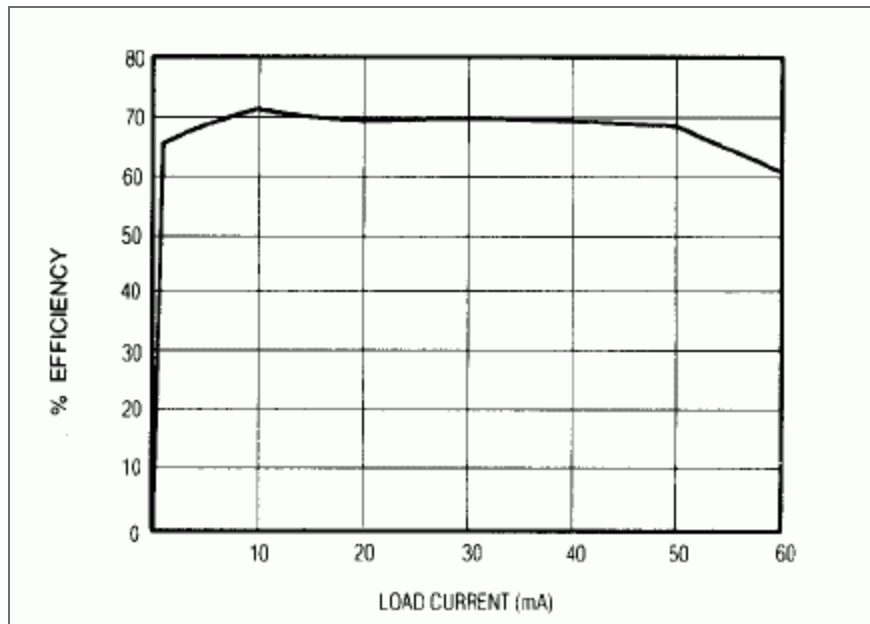


Figure 2. DC-DC conversion efficiency in the Figure 1 circuit varies with load current as shown.

Related Parts

MAX641

5V Adjustable, 10W, CMOS, Step-Up, Switching Regulator Controller

[Free Samples](#)

More Information

For Technical Support: <http://www.maximintegrated.com/support>

For Samples: <http://www.maximintegrated.com/samples>

Other Questions and Comments: <http://www.maximintegrated.com/contact>

Application Note 35: <http://www.maximintegrated.com/an35>

APPLICATION NOTE 35, AN35, AN 35, APP35, Appnote35, Appnote 35

Copyright © by Maxim Integrated Products

Additional Legal Notices: <http://www.maximintegrated.com/legal>