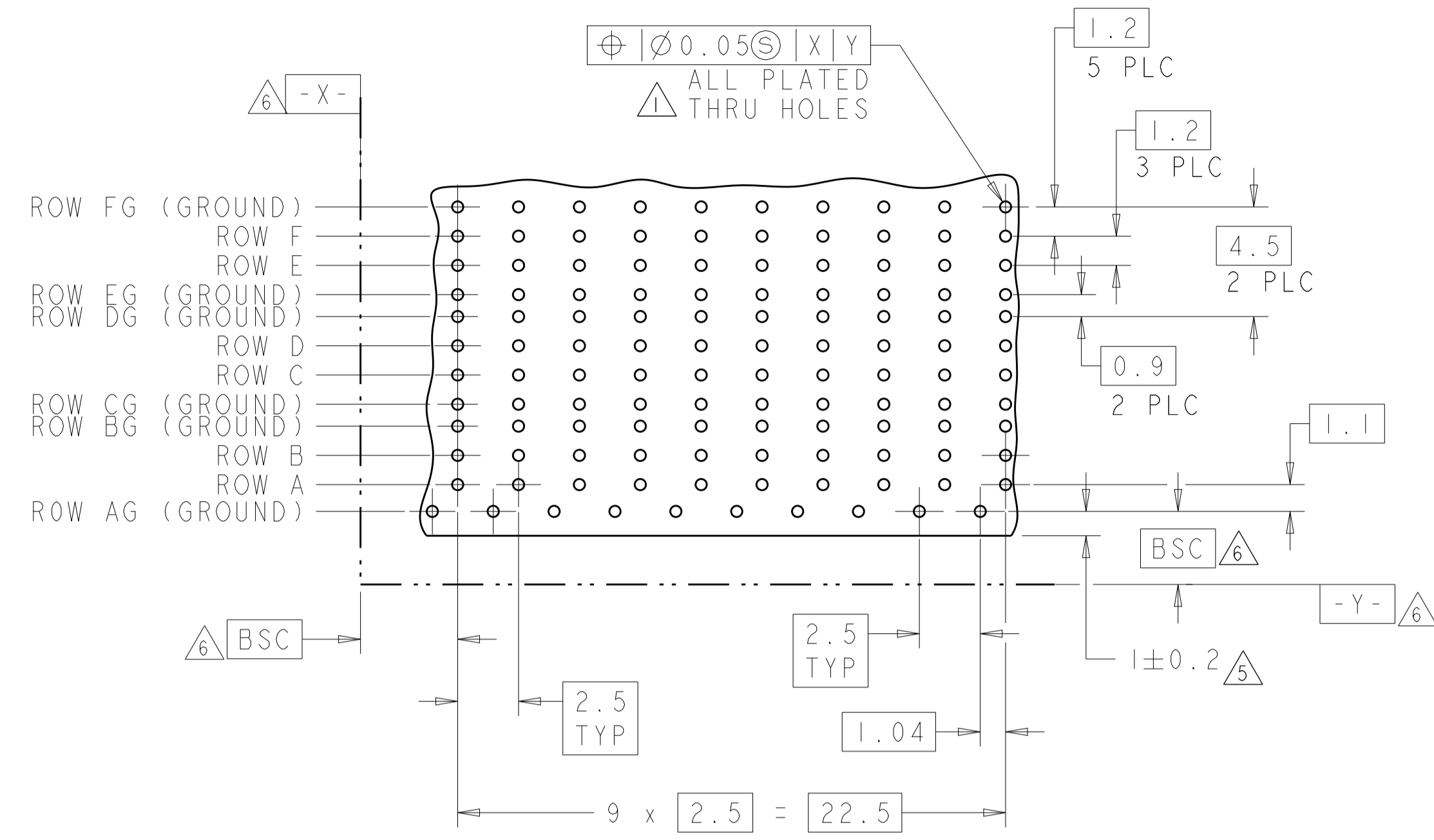
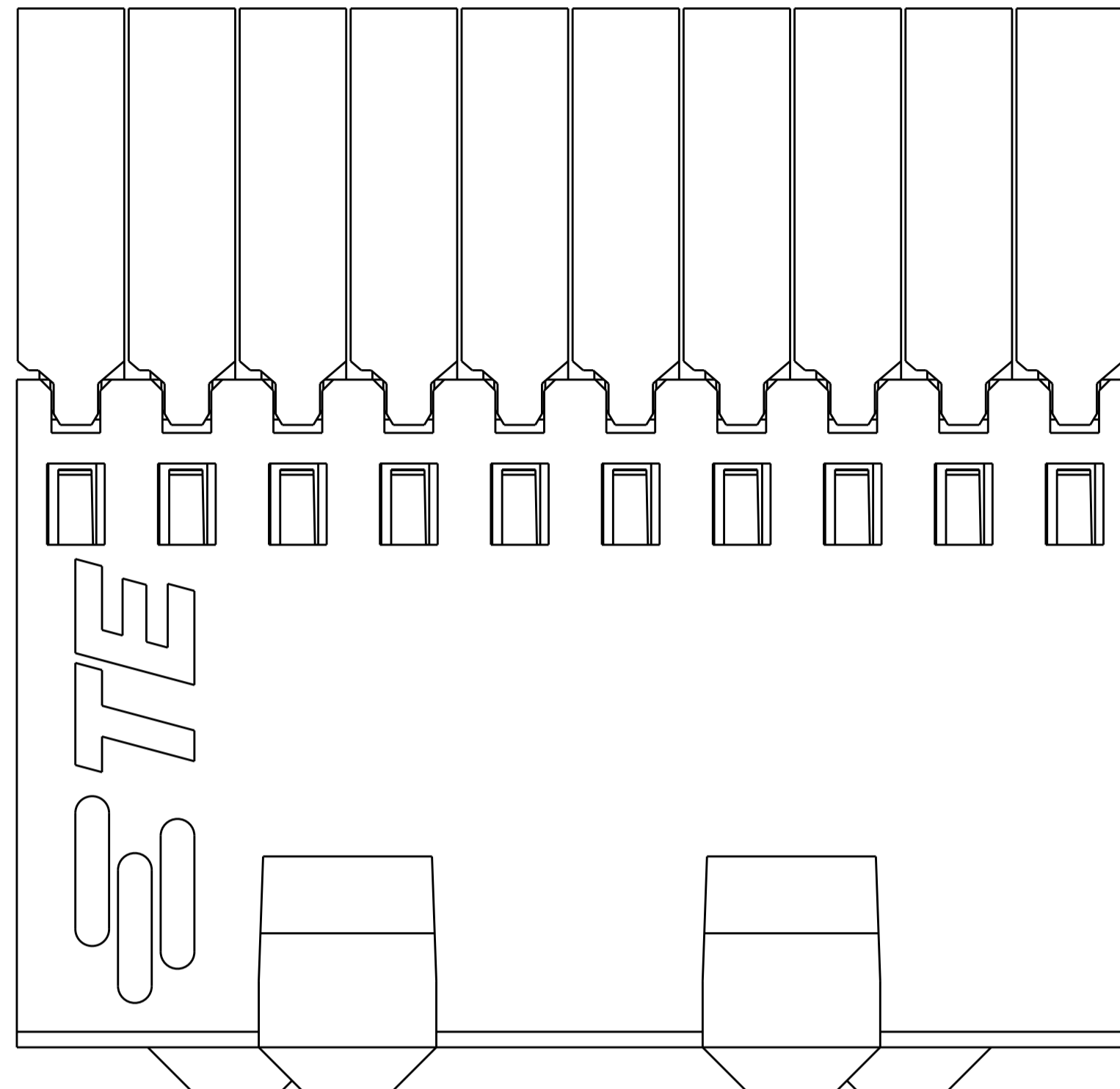
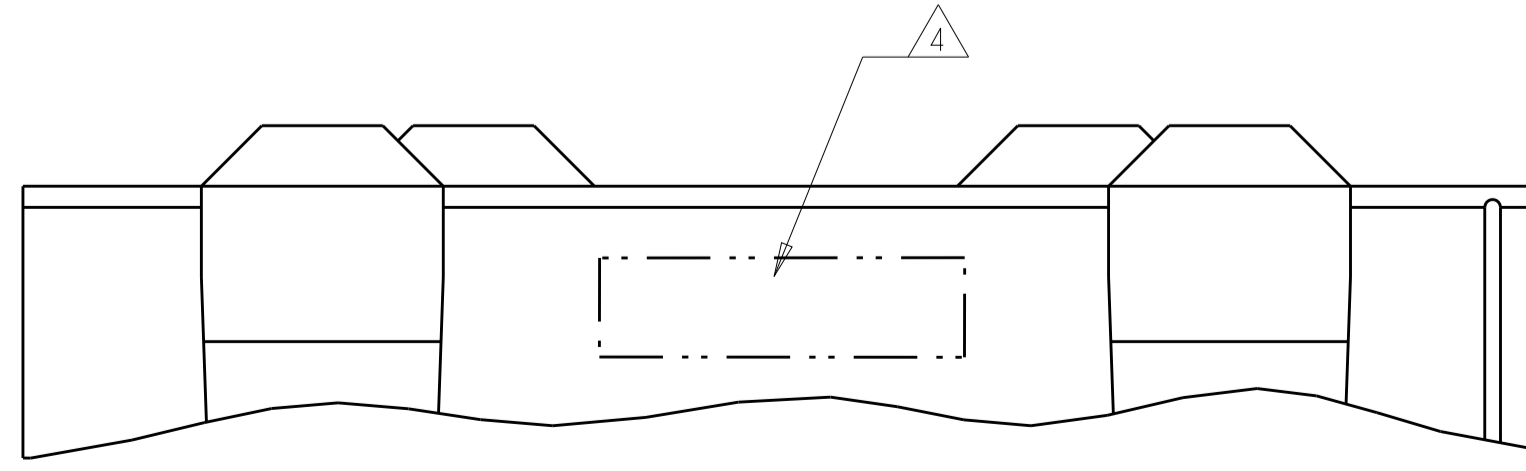
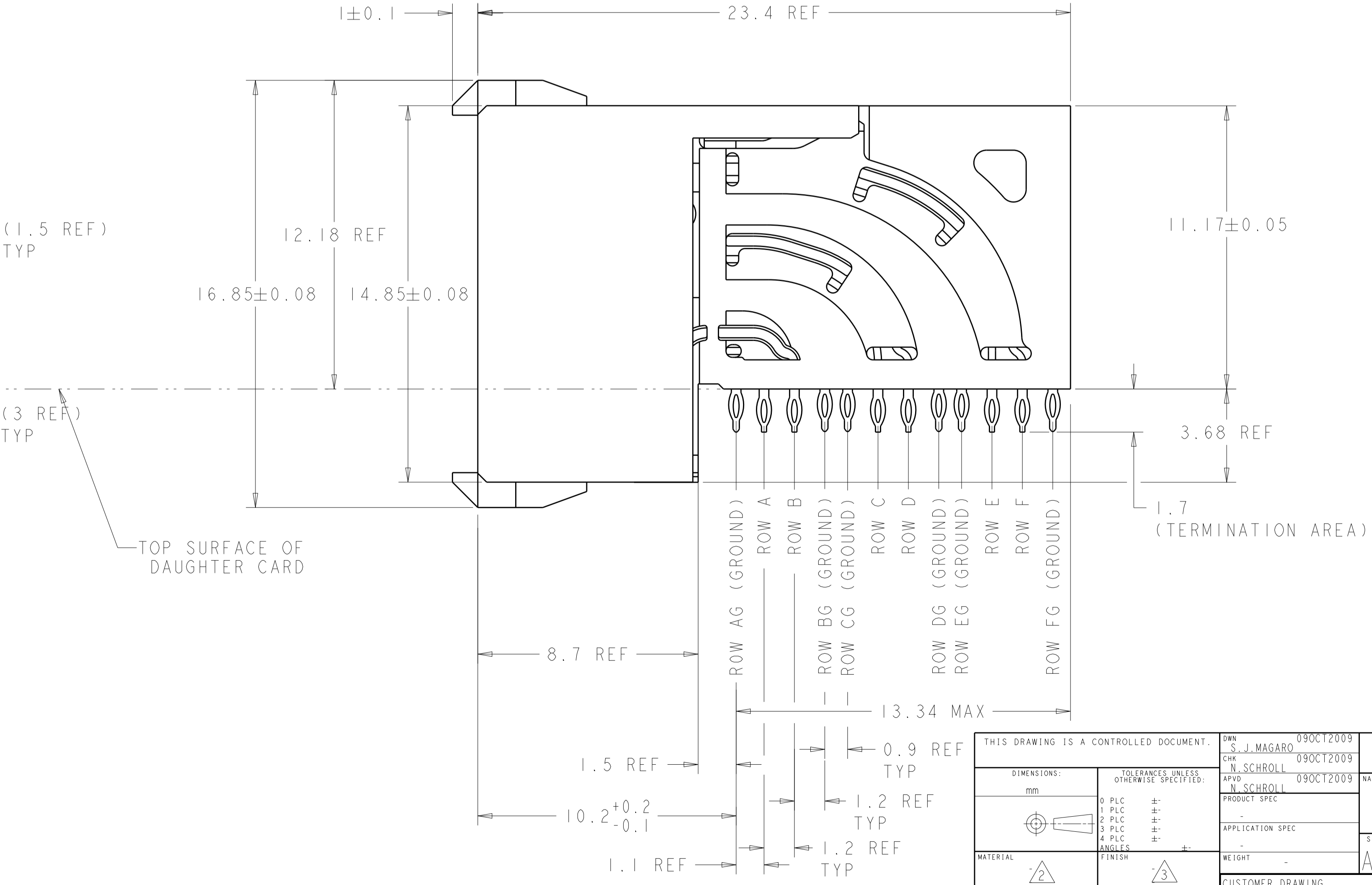
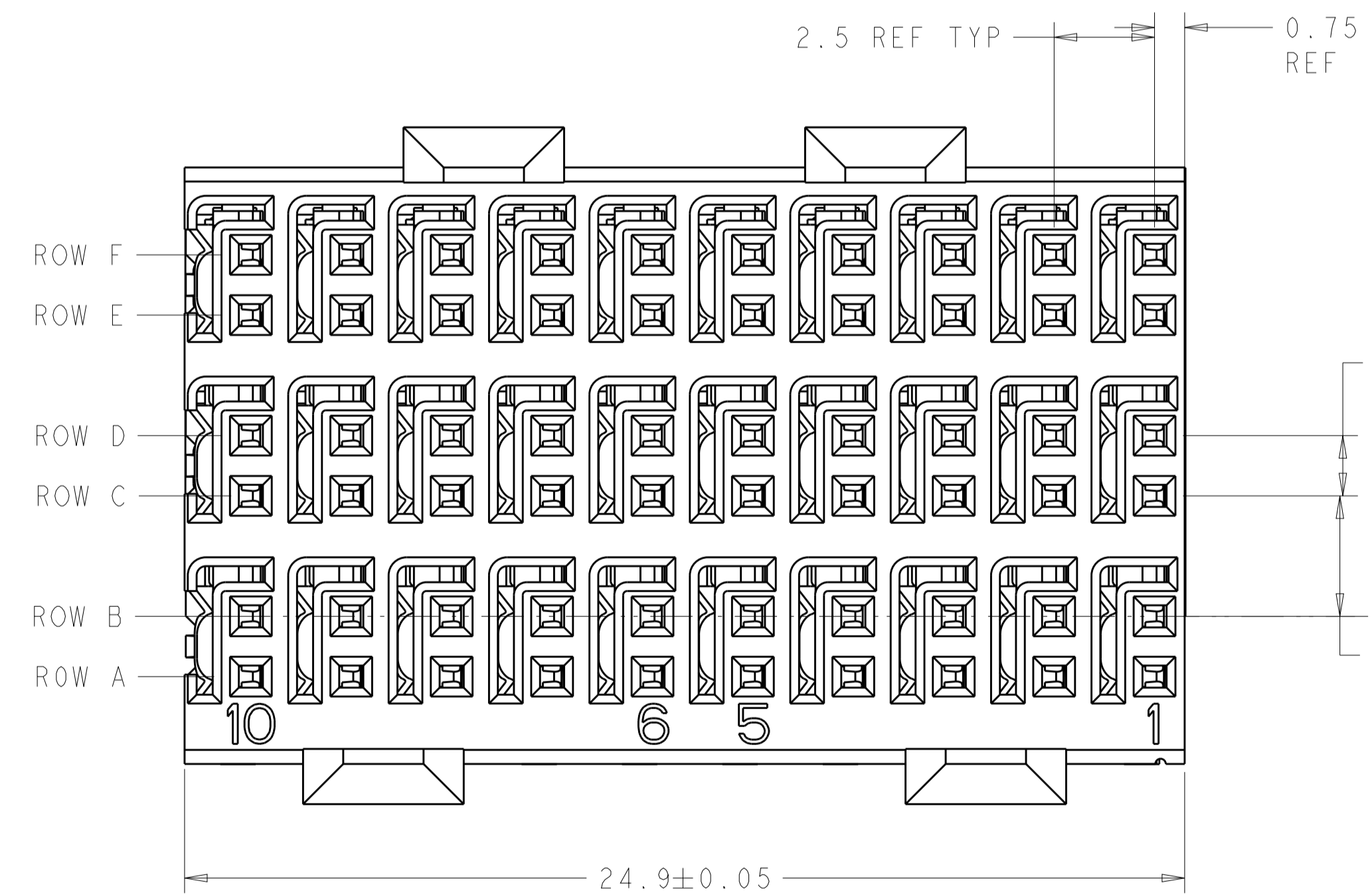


| REVISIONS | | | | |
|-----------|-----|---------------------------|-----------|-------|
| P. | LTM | DESCRIPTION | DATE | APVD |
| C | | REVISED PER ECO-14-005095 | 15APR2014 | AP RP |
| D | | REVISED PER ECO-16-008845 | 20SEP2016 | AP RP |



RECOMMENDED PC BOARD LAYOUT,
 DAUGHTER BOARD,
 COMPONENT SIDE SHOWN
 SCALE 5:1

- 1 REFERENCE APPLICATION SPEC 114-13059 FOR RECOMMENDED PLATED THRU HOLE DIAMETER AND PLATING THICKNESSES.
- 2 MATERIAL:
 SHIELD - PHOSPHOR BRONZE
 CONTACT - COPPER-NICKEL-SILICON
 HOUSING, CHICKLET AND CHICKLET COVER - GLASS FILLED POLYESTER, UL 94V-0 RATED.
- 3 FINISH: CONTACT AND SHIELD
 MATING AREA:
 MEETS THE PERFORMANCE REQUIREMENTS OF TYCO ELECTRONICS PRODUCT SPECIFICATION, 108-2055-1; BASED ON TELCORDIA GR-1217-CORE, APPLICATIONS IN UNCONTROLLED ENVIRONMENTS.
 COMPLIANT PIN AREA:
 0.5µm MIN BRIGHT TIN/LEAD OVER BASE PLATING.
- 4 CONNECTOR MARKED WITH PART NUMBER AND DATE CODE IN APPROXIMATE AREA SHOWN.
- 5 DIMENSION APPLIES TO CENTERLINE OF THRU HOLE.
- 6 DATUMS AND BASIC DIMENSIONS ESTABLISHED BY CUSTOMER.
- 7. CONTACT AREA LUBRICATED WITH BELLCORE APPROVED LUBRICANT. TECHNICAL REFERENCE: GR-1217-CORE, ISSUE 1, NOVEMBER 1995.
- 8 FINISH: CONTACT AND SHIELD
 MATING AREA:
 MEETS THE PERFORMANCE REQUIREMENTS OF TYCO ELECTRONICS PRODUCT SPECIFICATION, 108-2055-1; BASED ON TELCORDIA GR-1217-CORE, APPLICATIONS IN UNCONTROLLED ENVIRONMENTS.
 COMPLIANT PIN AREA:
 0.5µm MIN MATTE TIN OVER BASE PLATING.



| | |
|--------|-------------|
| 3 | 2065883-2 |
| 8 | 2065883-1 |
| FINISH | PART NUMBER |

THIS DRAWING IS A CONTROLLED DOCUMENT.

| | | | | | |
|-------------|---|-----------------------------|---------------------------|----------------------------|---|
| DIMENSIONS: | TOLERANCES UNLESS OTHERWISE SPECIFIED: | OWN: S. J. MAGARO 09OCT2009 | CHK: N. SCHROLL 09OCT2009 | APVD: N. SCHROLL 09OCT2009 | NAME: ASSEMBLY, Z-Pack Hm-Zd Plus, RECEPTACLE, 3 PAIR |
| mm | 0 PLC ± 1 PLC ± 2 PLC ± 3 PLC ± 4 PLC ± ANGLES ± | SIZE: A1 | CAGE CODE: 00779 | DRAWING NO: C=2065883 | RESTRICTED TO: - |
| MATERIAL: | FINISH: | WEIGHT: | CUSTOMER DRAWING | SCALE: 8:1 | SHEET 1 OF 1 REV D |