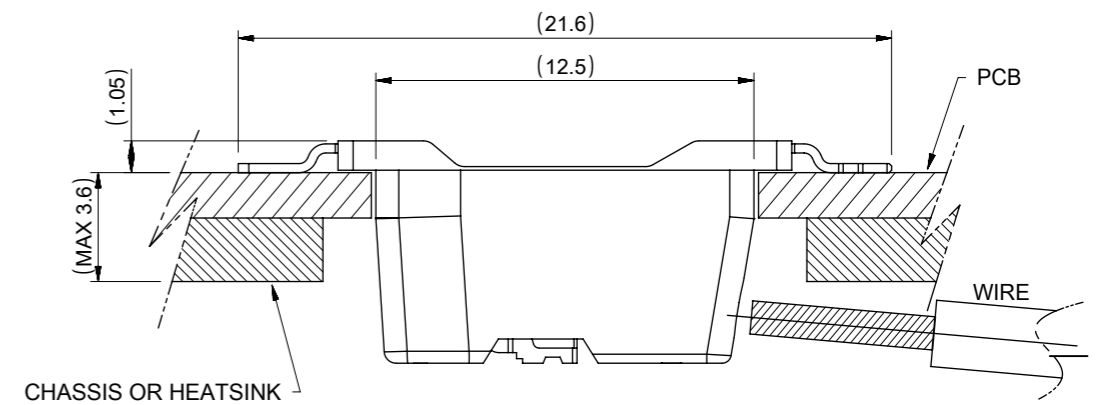
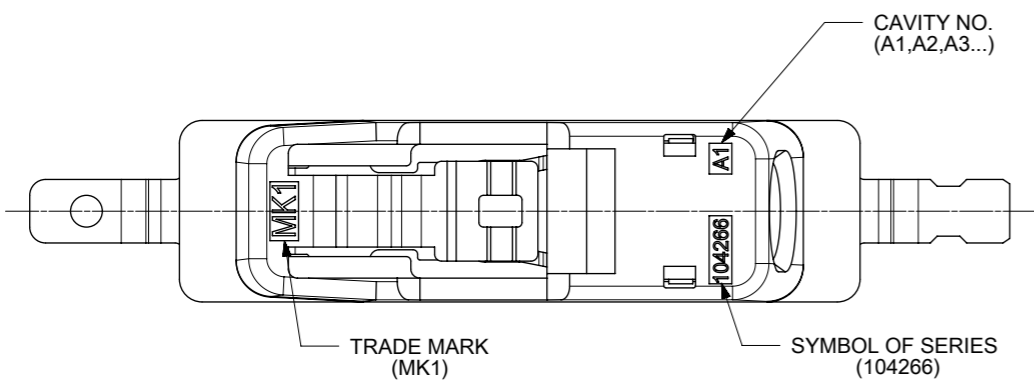


RECOMMENDED PCB LAYOUT
[GENERAL TOLERANCE : ±0.05]

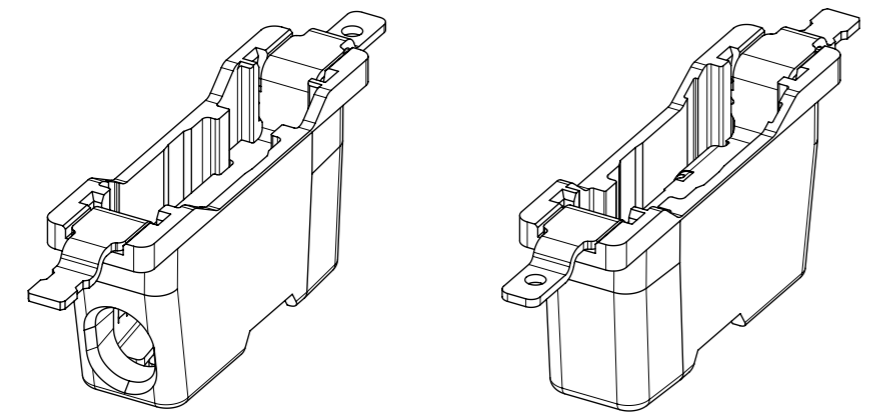


SET INSTALLTION OF PCB & CHASSIS OR HEATSINK

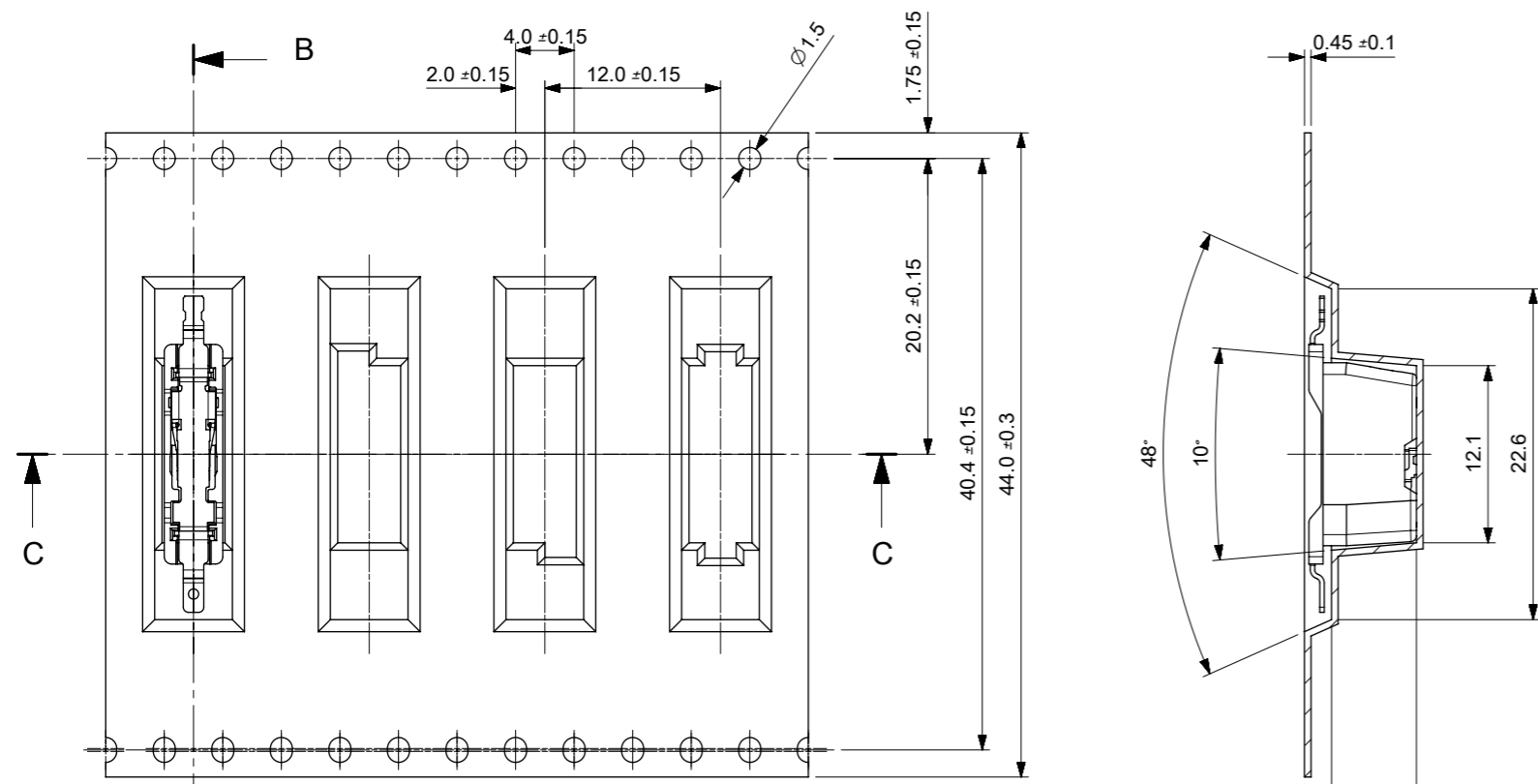


NOTE

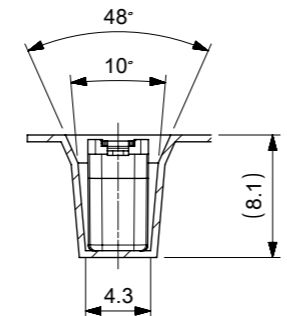
- MATERIAL**
 - HEADER : LCP, GLASS FILLED, UL94V-0 HALOGEN FREE, COLOR OF NATURAL
 - CONTACT TERMINAL : COPPER-ALLOY, 0.3mm THICKNESS
- PLATING**
 - CONTACT TERMINAL : TIN -PLATED
 - 0.8µm MINIMUM TIN PLATING
- PRODUCT SPECIFICATION : PS-104266-001**
- PACKAGING SPECIFICATION : PK-104266-001**
- COPLANALITY OF SOLDER TAILS (PEAK TEMP. : 260°C), BEFORE & AFTER REFLOW : 0.08 MAX.**
- APPLICABLE SOLIDE WIRE RANGE :** (OUTSIDE WIRE INSULATION : 2.1mm DIAMETER MAX.)
 - SOLID WIRE : AWG #24~#18
 - STRAND WIRE : AWG #24~#20



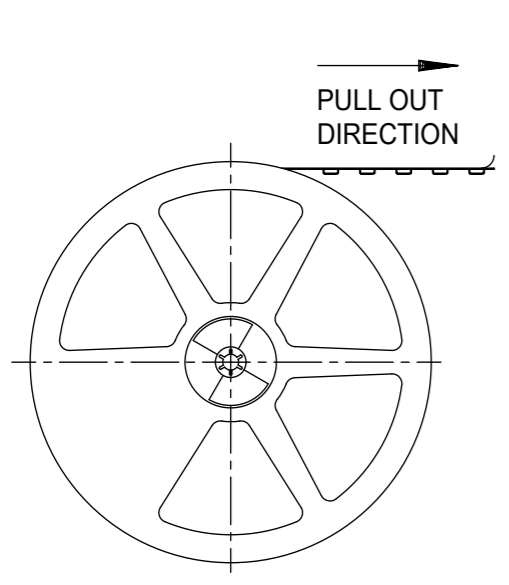
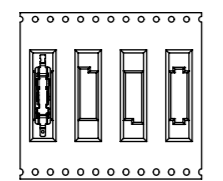
THIS DRAWING CONTAINS INFORMATION THAT IS PROPRIETARY TO MOLEX ELECTRONIC TECHNOLOGIES, LLC AND SHOULD NOT BE USED WITHOUT WRITTEN PERMISSION											
QUALITY SYMBOLS	2017/08/01 2017/08/08 2017/08/08	GENERAL TOLERANCES (UNLESS SPECIFIED)		DIMENSION UNITS	SCALE						
		ANGULAR TOL ± 3.0 °		MM	6:1						
▽A = 0	EC NO: 120165 DRWN: SCHONG03 CHK'D: SHCHU APPR: YSKIM02	4 PLACES ±	DRAFT WHERE APPLICABLE MUST REMAIN WITHIN DIMENSIONS	DRWN BY	DATE	LITE TRAP CONN. BOTTOM ENTRY TYPE HEADER ASS'Y 1CKT					
▽E = 0		3 PLACES ±		SCHONG03	2016/02/20						
▽F = 0		2 PLACES ± 0.15		CHK'D BY	DATE						
▽ = 0		1 PLACE ± 0.2		SHCHU	2016/02/20	PRODUCT CUSTOMER DRAWING					
▽C = 0		0 PLACES ±		YSKIM02	2016/03/03						
▽ = 0						DRAWING SIZE	THIRD ANGLE PROJECTION	SERIES	MATERIAL NUMBER	CUSTOMER	
▽ = 0				A3		104266		GENERAL MARKET			
						DOCUMENT NUMBER	DOC TYPE	DOC PART	SHEET NUMBER		
						SD-104266-001	PSD	001	1 OF 2		



SECTION B-B



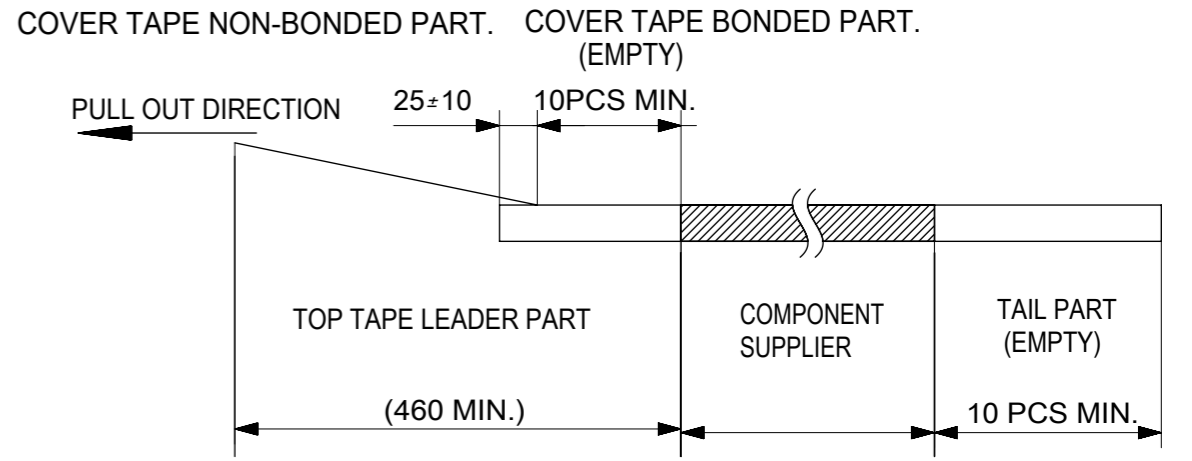
SECTION C-C



PLASTIC BOBBIN

NOTES

1. NUMBER OF CONNECTORS : 900 PCS/REEL.
2. LEAD TAPE LENGTH.



3. PEEL-OFF FORCE OF TOP TAPE : 0.1~0.59N (10.2~60gf)
(PEELING DIRECTION AS SHOWN IN FOLLOWING FIG.)
<PEEL-OFF SPEED : 300mm/min (REF.)>

4. FLASH IN ANY PORTION SHOULD BE LESS THAN 0.20mm MAX.
5. UNLESS OTHERWISE SPECIFIED INNER R0.2 MAX.

QUALITY SYMBOLS ▽A = 0 ▽E = 0 ▽F = 0 ▼ = 0 ▽C = 0 ⊠ = 0 ■ = 0 ▽ = 0	THIS DRAWING CONTAINS INFORMATION THAT IS PROPRIETARY TO MOLEX ELECTRONIC TECHNOLOGIES, LLC AND SHOULD NOT BE USED WITHOUT WRITTEN PERMISSION				DIMENSION UNITS MM	SCALE 2:1				
	EC NO: 120165 DRWN: SCHONG03 CHK'D: SHCHU APPR: YSKIM02	2017/08/01 2017/08/08 2017/08/08	GENERAL TOLERANCES (UNLESS SPECIFIED) ANGULAR TOL ± 3.0 °	DRWN BY SCHONG03	DATE 2016/02/20	CHK'D BY SHCHU				DATE 2016/02/20
DRAFT WHERE APPLICABLE MUST REMAIN WITHIN DIMENSIONS		4 PLACES ± 3 PLACES ± 2 PLACES ± 0.2 1 PLACE ± 0.2 0 PLACES ±	APPR BY YSKIM02	DATE 2016/03/03	DRAWING SIZE A3	THIRD ANGLE PROJECTION	PRODUCT CUSTOMER DRAWING			
			SERIES 104266	MATERIAL NUMBER 1042660110	CUSTOMER GENERAL MARKET					
			DOCUMENT NUMBER SD-104266-001		DOC TYPE PSD	DOC PART 001	SHEET NUMBER 2 OF 2			