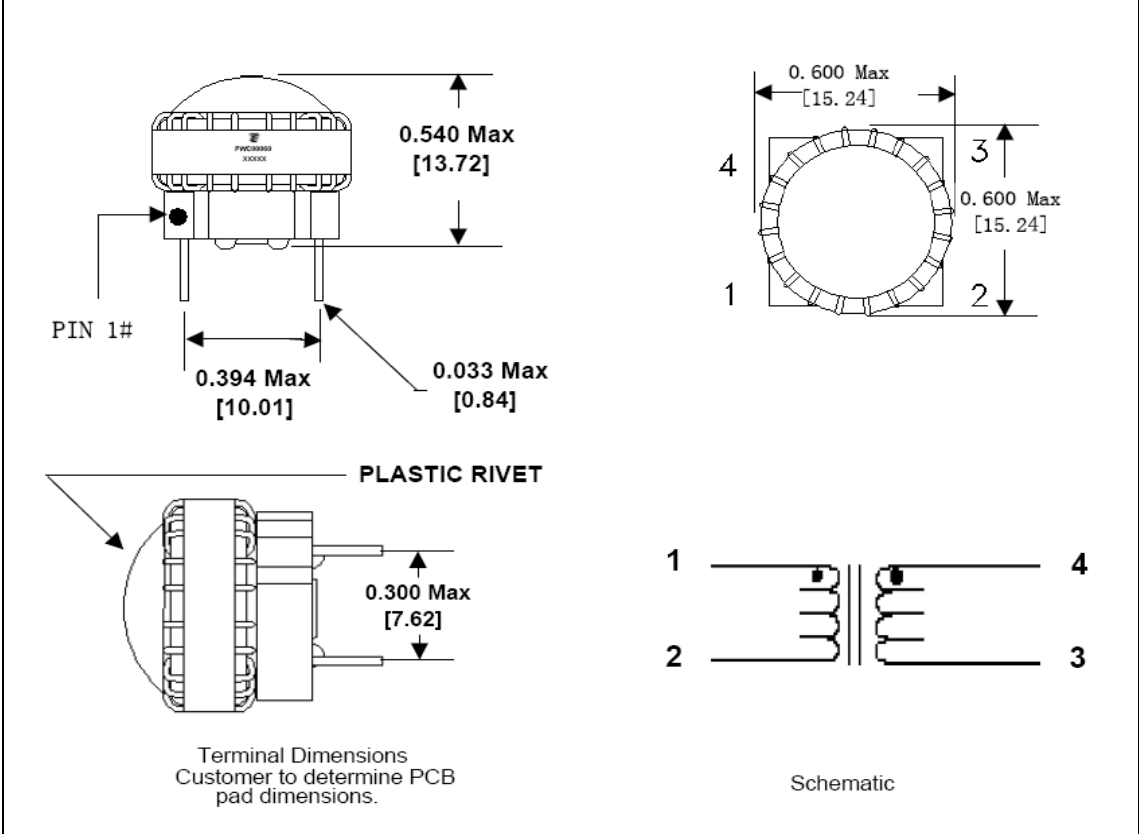


|               |     |                                                                                    |
|---------------|-----|------------------------------------------------------------------------------------|
| MGPWC-00060-P | REV |  |
| 1879559-1     | BA  |                                                                                    |

**Product Description** **CM Choke, RoHS TTI7570**  
**Previously MGPWC-00060**



Primary Units are in inches millimetres in brackets

**Electrical Specifications at +20°C unless noted otherwise**

| Test               | Limits | Unit | Tol  | Notes                            |
|--------------------|--------|------|------|----------------------------------|
| Inductance         | 3.70   | mH   | ±20% | 2-1, 10kHz, 100mVAC, Ls.         |
| Inductance         | 3.70   | mH   | ±20% | 3-4, 10kHz, 100mVAC, Ls.         |
| Leakage Inductance | 5.00   | µH   | Max. | 1-2 Tie(3+4), 10kHz, 100mVAC,Ls. |
| DC Resistance      | 1.5    | Ω    | Max. | Pins 1 - 2                       |
| DC Resistance      | 1.5    | Ω    | Max. | Pins 3 - 4                       |
| Dialectric         | 500    | VDC  |      | 1-3, 1 second test               |

Terminal Plating is Gold Flash over Ni

260°C Maximum reflow temperature per J-STD-020B

Operating Temperature Range: -40°C to +85°C



The information contained in this drawing is the sole property of Tyco Electronics. Any reproduction or use without the written permission of Tyco Electronics is prohibited.

Specifications subject to change without notice. For latest revision visit <http://www.tycoelectronics.com>