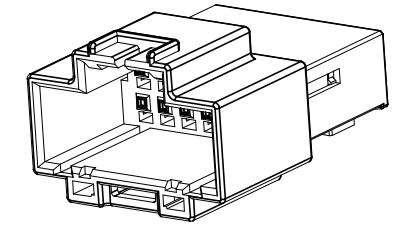
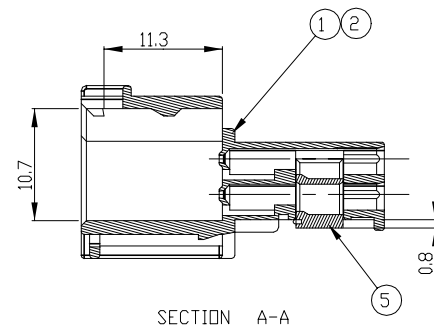
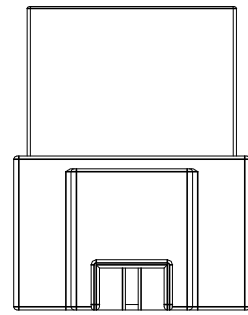


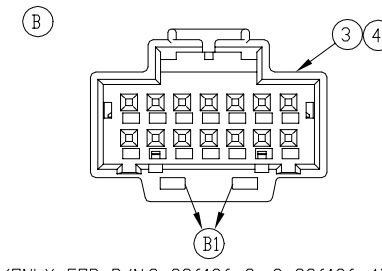
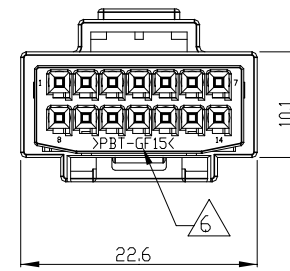
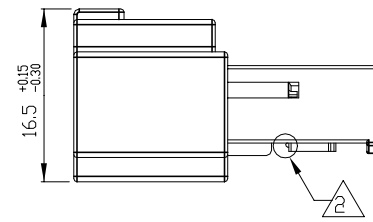
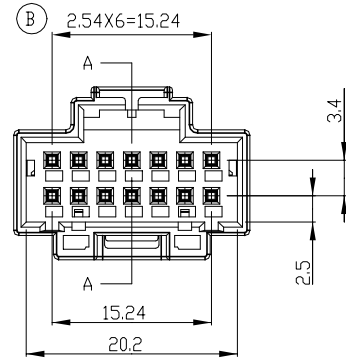
| P | LTR | DESCRIPTION | DATE | DWN | APVD |
|----|-----|-------------------------|-----------|-----|------|
| A | | REVISED (ECR-19-000184) | 07JAN2019 | SY | YJ |
| B | | REVISED (ECR-19-014755) | 23SEP2019 | CI | YJ |
| B1 | | REVISED (ECR-20-006211) | 29APR2019 | CI | YJ |



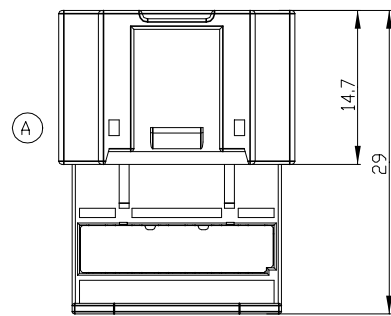
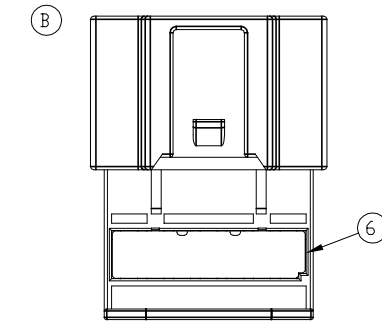
ISD VIEW



SECTION A-A



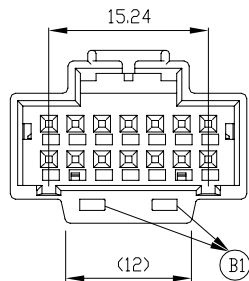
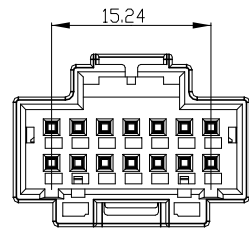
<ONLY FOR P/N 2-936126-3, 3-936126-4>



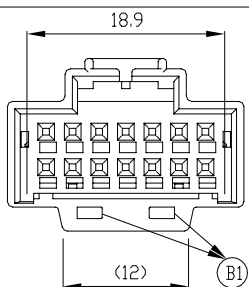
KEY CODE

CODE 1: 0-936126-1
0-936126-2

CODE 1: 2-936126-3



CODE 2: 3-936126-4



NOTE
1.GENERAL TOLRANCE : ±0.3, ±1°
2.CONDITION OF DELIVERY, DBL IN 1ST LOCKING POSITION.
3.APPLIED CLIP HSG:

| P/N. | PANEL THK. | PANEL HOLE SIZE |
|--------|------------|-----------------|
| 368165 | 0.7~1.6mm | |
| 368373 | 0.5~2.0mm | |

4.APPLIED PLUG ASSY P/N:936124
5.APPLIED TAB CONTACT P/N:

| P/N | 928918 | 963716 |
|-----------------|----------|--------|
| WIRE SIZE(mm^2) | 0.25~0.5 | 0.75 |

RECYCLE MARK;
- >PBT-GF15< : 0-936126-1, 0-936126-2
- >PA66-GF15< : 2-936126-3, 3-936126-4

| NO. | DESCRIPTION | MATERIAL | COLOR | Q'TY |
|-----|---------------|-----------|-----------|------|
| 6 | DBL HSG | PA66-GF15 | BLACK | 1 |
| 5 | DBL HSG | PBT-GF15 | NATURAL | 1 |
| 4 | CAP HSG CODE2 | PA66-GF15 | BROWN | 1 |
| 3 | CAP HSG CODE1 | PA66-GF15 | DARK GRAY | 1 |
| 2 | CAP HSG CODE1 | PBT-GF15 | YELLOW | 1 |
| 1 | CAP HSG CODE1 | PBT-GF15 | BLACK | 1 |

| MQS 14P CAP ASSY CODE1 (BLACK) | MQS 14P CAP ASSY CODE1 (YELLOW) | MQS 14P CAP ASSY CODE1 (DARK GRAY) | MQS 14P CAP ASSY CODE2 (BROWN) |
|--------------------------------|---------------------------------|------------------------------------|--------------------------------|
| 0-936126-1 | 0-936126-2 | 2-936126-3 | 3-936126-4 |

THIS DRAWING IS A CONTROLLED DOCUMENT.

DWN: HS BAE
CHK: BM JANG
APVD: CS LEE

TE Connectivity

NAME: MQS 14P CAP ASSEMBLY

SIZE: A2 CAGE CODE: 00779 DRAWING NO: 936126 RESTRICTED TO: -

MATERIAL: SEE TABLE FINISH: -

WEIGHT: -

CUSTOMER DRAWING SCALE: 2:1 SHEET: 1 OF 1 REV: B1