

TDK Corporation

Piezo & Protection Device B. Grp.

3-9-1, Shibaura, Minato-ku, Tokyo,

108-0023, Japan

TEL. 03-6852-7300



NTCG

**NTC Chip Thermistor
Temperature Sensing Device**

PRODUCT: NTCG164KF104FT1S

This product is compliant with the
AEC-Q200 standard.

PAGE NO.: 1 OF 1

Dimensions and construction

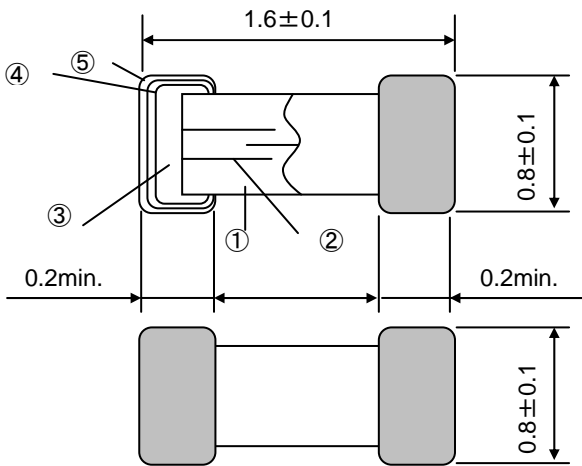


TABLE1. Parts List

	Part Name	Material
①	Element	Manganese, Nickel-oxide base Ceramics materials
②	Inner electrodes	Palladium
③	Terminal electrodes	Silver base
④		Nickel-plating
⑤		Tin-plating

Operating temperature range

-40 ~ +150°C

TABLE 2. Electric Performance:

Item	Symbol	Specification
Nominal resistance and tolerance	R25	100kΩ ± 1%
B value and tolerance	B25/85	4485K ± 1%
Maximum rated power (condition: chip)	P25	125 mW / 25°C in still air

TABLE 3. Resistance - Temperature Characteristics (condition: chip in silicone oil)

Temp (°C)	Min (kΩ)	Nom (kΩ)	Max (kΩ)	Temp (°C)	Min (kΩ)	Nom (kΩ)	Max (kΩ)	Temp (°C)	Min (kΩ)	Nom (kΩ)	Max (kΩ)
-40.0	4632	4864	5107	25.0	99.00	100.0	101.0	90.0	6.493	6.738	6.991
-35.0	3250	3400	3558	30.0	77.54	78.51	79.49	95.0	5.452	5.667	5.890
-30.0	2307	2405	2508	35.0	61.13	62.05	62.97	100.0	4.596	4.786	4.983
-25.0	1655	1720	1788	40.0	48.51	49.34	50.19	105.0	3.890	4.057	4.232
-20.0	1200	1243	1288	45.0	38.72	39.48	40.25	110.0	3.306	3.453	3.607
-15.0	879.0	907.6	937.2	50.0	31.10	31.77	32.46	115.0	2.819	2.950	3.086
-10.0	649.8	669.0	688.6	55.0	25.11	25.71	26.33	120.0	2.413	2.529	2.650
-5.0	484.8	497.6	510.7	60.0	20.39	20.92	21.47	125.0	2.073	2.176	2.283
0.0	364.8	373.4	382.1	65.0	16.65	17.12	17.59	130.0	1.787	1.878	1.973
5.0	276.8	282.5	288.3	70.0	13.66	14.07	14.49	135.0	1.545	1.626	1.711
10.0	211.7	215.5	219.3	75.0	11.26	11.62	12.00	140.0	1.340	1.412	1.489
15.0	163.1	165.6	168.1	80.0	9.332	9.649	9.976	145.0	1.166	1.230	1.299
20.0	126.6	128.2	129.8	85.0	7.767	8.046	8.333	150.0	1.017	1.075	1.136