

LSHM-DV SERIES

(0.50 mm) .0197"

HIGH-SPEED HERMAPHRODITIC STRIP

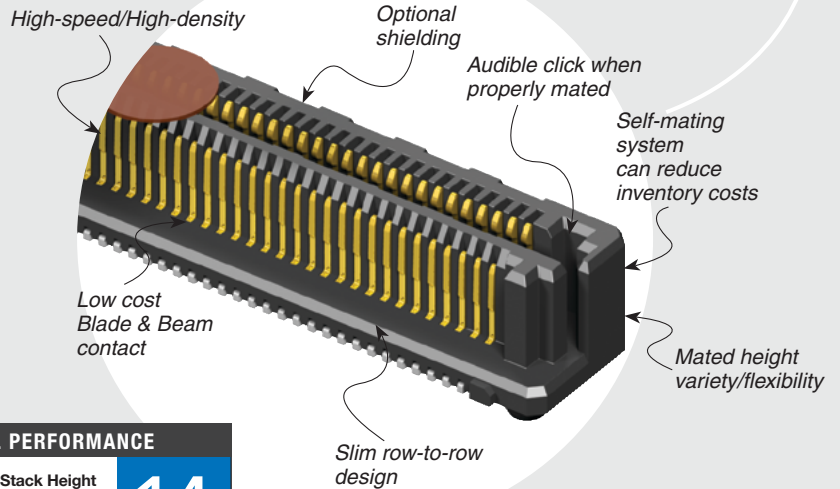
SPECIFICATIONS

For complete specifications and recommended PCB layouts see www.samtec.com?LSHM

Insulator Material:
Black Liquid Crystal Polymer
Contact Material:
Phosphor Bronze
Plating:
Au or Sn over 50 μ" (1.27 μm) Ni
Current Rating:
2.0 A per pin
(2 adjacent pins powered)
Operating Temp Range:
-55 °C to +125 °C
RoHS Compliant:
Yes

Board Mates:
LSHM

Cable Mates:
HLCD



PROCESSING

Lead-Free Solderable:
Yes
SMT Lead Coplanarity:
(0.10 mm) .004" max
Board Stacking:
For applications requiring two or more connectors per board, contact ipg@samtec.com

HIGH-SPEED CHANNEL PERFORMANCE

LSHM-DV/LSHM-DV @ 5 mm Mated Stack Height

Rating based on Samtec reference channel.
For full SI performance data visit Samtec.com or contact SIG@samtec.com

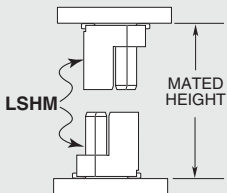
14
Gbps

RECOGNITIONS

For complete scope of recognitions see www.samtec.com/quality



APPLICATION



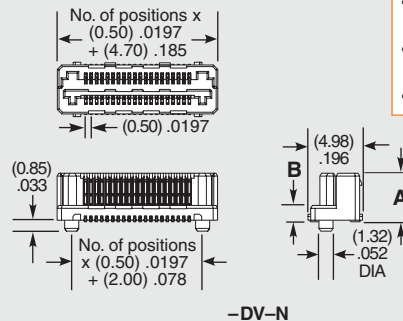
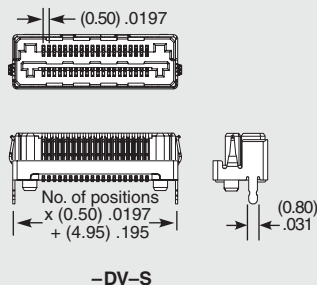
LEAD STYLE	MATED HEIGHT*
-02.5 & -02.5	(5.00) .196
-02.5 & -03.0	(5.50) .217
-03.0 & -03.0	(6.00) .236
-02.5 & -04.0	(6.50) .256
-03.0 & -04.0	(7.00) .276
-04.0 & -04.0	(8.00) .315
-02.5 & -06.0	(8.50) .335
-03.0 & -06.0	(9.00) .354
-04.0 & -06.0	(10.00) .394
-06.0 & -06.0	(12.00) .472

*Processing conditions will affect mated height.

Note:
Some lengths, styles and options are non-standard, non-returnable.

LSHM	1	NO. PINS PER ROW	LEAD STYLE	PLATING OPTION	TAIL OPTION	A	SHIELD OPTION	K	TR
			Specify LEAD STYLE from chart	-F = Gold flash on contact, Matte Tin on tail -L = 10 μ" (0.25 μm) Gold on contact, Matte Tin on tail	-DV = Vertical		-S = With Shield -N = Without Shield	-K = (3.50 mm) .138" DIA Polyimide film Pick & Place Pad	-TR = Tape & Reel
		05, 10, 20, 30, 40, 50							

LEAD STYLE (STANDARD)	LEAD STYLE (LUBRICATED)	A	B
-02.5	-L2.5	(3.95) .156	(1.00) .039
-03.0	-L3.0	(4.45) .175	(1.50) .059
-04.0	-L4.0	(5.45) .215	(2.50) .098
-06.0	-L6.0	(7.45) .293	(4.50) .177



RUGGEDIZED
BY SAMTEC

- High retention contacts
- Audible click when mated
- Shrouded