



STP60NE06-16 STP60NE06-16FP

N-CHANNEL 60V - 0.013 Ω - 60A TO-220/TO-220FP
"SINGLE FEATURE SIZE™" POWER MOSFET

Table 1. General Features

Type	V _{DSS}	R _{DS(on)}	I _D
STP60NE06-16	60 V	< 0.016 Ω	60 A
STP60NE06-16FP	60 V	< 0.016 Ω	35 A

FEATURES SUMMARY

- TYPICAL R_{DS(on)} = 0.013 Ω
- EXCEPTIONAL dv/dt CAPABILITY
- 100% AVALANCHE TESTED
- LOW GATE CHARGE 100°C
- HIGH dv/dt CAPABILITY
- APPLICATION ORIENTED CHARACTERIZATION

DESCRIPTION

This Power Mosfet is the latest development of STMicroelectronics unique "Single Feature Size" strip-based process. The resulting transistor shows extremely high packing density for low on-resistance, rugged avalanche characteristics and less critical alignment steps therefore a remarkable manufacturing reproducibility.

APPLICATIONS

- DC MOTOR CONTROL
- DC-DC & DC-AC CONVERTERS
- SYNCHRONOUS RECTIFICATION

Figure 1. Package

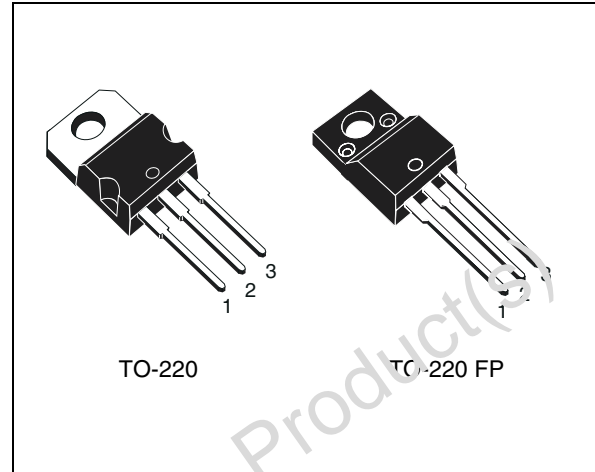


Figure 2. Internal Schematic Diagram

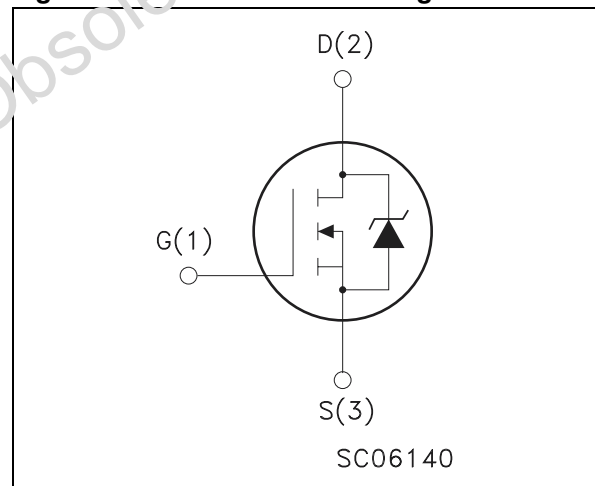


Table 2. Order Codes

Part Number	Marking	Package	Packaging
STP60NE06-16	P60NE06	TO-220	TUBE
STP60NE06-16FP	P60NE06FP	TO-220FP	TUBE

STP60NE06-16/FP

Table 3. Absolute Maximum Ratings

Symbol	Parameter	Value		Unit
		STP60NE06-16	STP60NE06-16FP	
V _{DS}	Drain-source Voltage (V _{GS} = 0)	60		V
V _{DGR}	Drain- gate Voltage (R _{GS} = 20 kΩ)	60		V
V _{GS}	Gate-source Voltage	± 20		V
I _D	Drain Current (cont.) at T _C = 25 °C	60	35	A
I _D	Drain Current (cont.) at T _C = 100 °C	42	24	A
I _{DM} (1)	Drain Current (pulsed)	240	240	A
P _{tot}	Total Dissipation at T _C = 25 °C	150	40	W
	Derating Factor	1	0.3	W/°C
V _{ISO}	Insulation Withstand Voltage (DC)	–	2000	V
dv/dt (2)	Peak Diode Recovery voltage slope	6		V/ns
T _{stg}	Storage Temperature	-65 to 175		°C
T _j	Max. Operating Junction Temperature	175		°C

Note: 1. Pulse width limited by safe operating area
 2. I_{SD} ≤ 60A, di/dt ≤ 300 A/μs, V_{DD} ≤ V_{(BR)DSS}, T_j ≤ T_{JMAX}

Table 4. Thermal Data

Symbol	Parameter	Value		Unit
		TO-220	TO220-FP	
R _{thj-case}	Thermal Resistance Junction-case Max	1	3.75	°C/W
R _{thj-amb}	Thermal Resistance Junction-ambient Max	62.5		°C/W
T _j	Maximum Lead Temperature For Soldering Purpose	300		°C

Table 5. Avalanche Characteristics

Symbol	Parameter	Max Value	Unit
I _{AR}	Avalanche Current, Repetitive or Not-Repetitive (pulse width limited by T _j max, δ < 1%)	60	A
E _{AS}	Single Pulse Avalanche Energy (starting T _j = 25 °C; I _D = I _{AR} ; V _{DD} = 25 V)	350	mJ

ELECTRICAL CHARACTERISTICS ($T_{\text{case}} = 25^{\circ}\text{C}$ unless otherwise specified)**Table 6. Off**

Symbol	Parameter	Test Conditions	Min.	Typ.	Max.	Unit
$V_{(\text{BR})\text{DSS}}$	Drain-source Breakdown Voltage	$I_{\text{D}} = 250 \mu\text{A}$ $V_{\text{GS}} = 0$	60			V
I_{DSS}	Zero Gate Voltage	$V_{\text{DS}} = \text{Max Rating}$			1	μA
	Drain Current ($V_{\text{GS}} = 0$)	$V_{\text{DS}} = \text{Max Rating}$ $T_{\text{c}} = 125^{\circ}\text{C}$			10	μA
I_{GSS}	Gate-body Leakage Current ($V_{\text{DS}} = 0$)	$V_{\text{GS}} = \pm 20 \text{ V}$			± 100	nA

Table 7. On ⁽¹⁾

Symbol	Parameter	Test Conditions	Min.	Typ.	Max.	Unit
$V_{\text{GS(th)}}$	Gate Threshold Voltage	$V_{\text{DS}} = V_{\text{GS}}$; $I_{\text{D}} = 250 \mu\text{A}$	2	3	4	V
$R_{\text{DS(on)}}$	Static Drain-source On Resistance	$V_{\text{GS}} = 10\text{V}$; $I_{\text{D}} = 30 \text{ A}$		0.013	0.016	Ω

Note: 1. Pulsed: Pulse duration = 300 μs , duty cycle 1.5 %**Table 8. Dynamic**

Symbol	Parameter	Test Conditions	Min.	Typ.	Max.	Unit
g_{fs} ⁽¹⁾	Forward Transconductance	$V_{\text{DS}} > I_{\text{D(on)}} \times R_{\text{DS(on)max}}$; $I_{\text{D}} = 30 \text{ A}$	20	35		S
C_{iss}	Input Capacitance	$V_{\text{DS}} = 25 \text{ V}$; $f = 1 \text{ MHz}$; $V_{\text{GS}} = 0$		4600	6200	pF
C_{oss}	Output Capacitance			580	800	pF
C_{riss}	Reverse Transfer Capacitance			140	200	pF

Note: 1. Pulsed: Pulse duration = 300 μs , duty cycle 1.5 %**Table 9. Switching On**

Symbol	Parameter	Test Conditions	Min.	Typ.	Max.	Unit
$t_{\text{d(on)}}$	Turn-on Time	$V_{\text{DD}} = 30 \text{ V}$; $I_{\text{D}} = 30 \text{ A}$		40	60	ns
t_{r}	Rise Time	$R_{\text{G}} = 4.7 \Omega$; $V_{\text{GS}} = 10 \text{ V}$		125	180	ns
Q_{g}	Total Gate Charge	$V_{\text{DD}} = 48 \text{ V}$; $I_{\text{D}} = 60 \text{ A}$; $V_{\text{GS}} = 10 \text{ V}$		115	160	nC
Q_{gs}	Gate-Source Charge			25		nC
Q_{gd}	Gate-Drain Charge			40		nC

Table 10. Switching Off

Symbol	Parameter	Test Conditions	Min.	Typ.	Max.	Unit
$t_{\text{r(Voff)}}$	Off-voltage Rise Time	$V_{\text{DD}} = 48 \text{ V}$; $I_{\text{D}} = 60 \text{ A}$		15	25	ns
t_{f}	Fall Time	$R_{\text{G}} = 4.7 \Omega$; $V_{\text{GS}} = 10 \text{ V}$		150	210	ns
t_{c}	Cross-over Time				180	260

Table 11. Source Drain Diode

Symbol	Parameter	Test Conditions	Min.	Typ.	Max.	Unit
I_{SD}	Source-drain Current				60	A
$I_{SDM}^{(1)}$	Source-drain Current (pulsed)				240	A
$V_{SD}^{(2)}$	Forward On Voltage	$I_{SD} = 60 \text{ A}; V_{GS} = 0$			1.5	V
t_{rr}	Reverse Recovery Time	$I_{SD} = 60 \text{ A}; di/dt = 100 \text{ A}/\mu\text{s}$		100		ns
Q_{rr}	Reverse RecoveryCharge	$V_{DD} = 30 \text{ V}; T_j = 150 \text{ }^\circ\text{C}$		0.4		μC
I_{RRAM}	Reverse RecoveryCharge			8		A

Note: 1. Pulse width limited by safe operating area
 2. Pulsed: Pulse duration = 300 μs , duty cycle 1.5 %

Figure 3. Safe Operating Area for TO-220

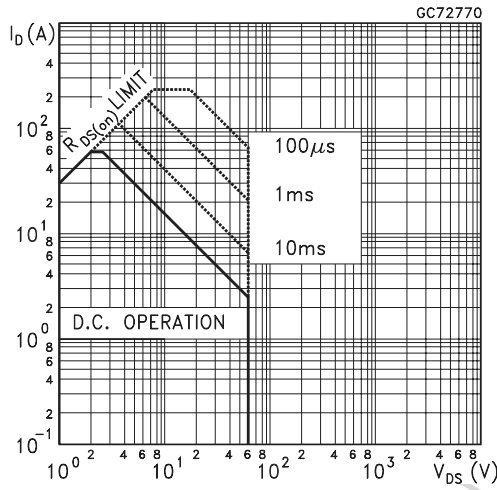


Figure 4. Safe Operating Area for TO-220FP

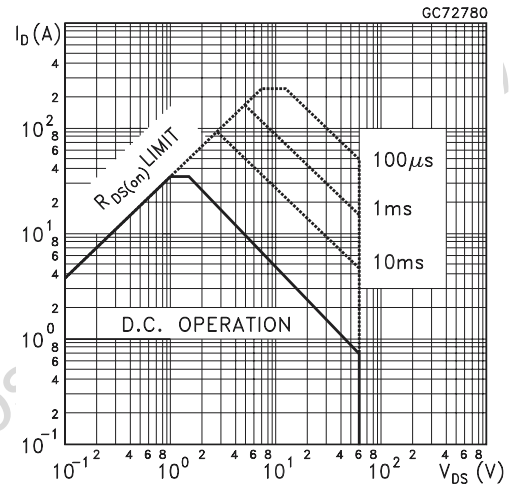


Figure 5. Thermal Impedance for TO-220

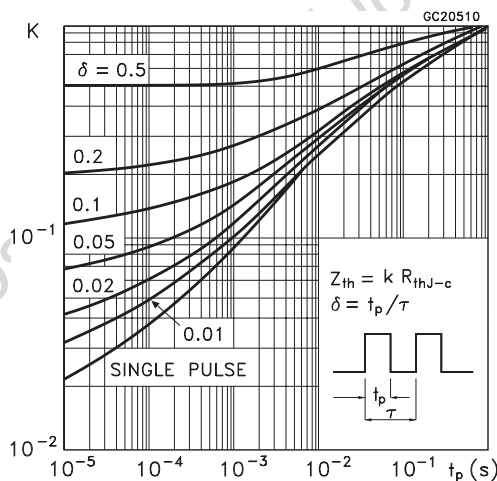


Figure 6. Thermal Impedance for TO-220FP

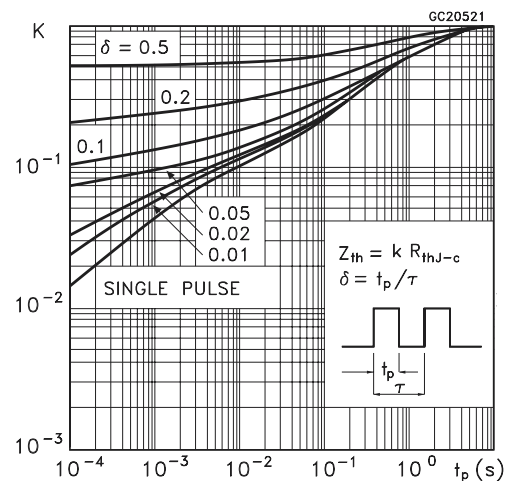


Figure 7. Output Characteristics

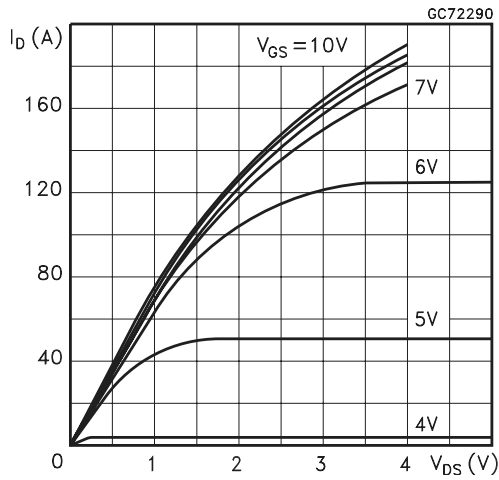


Figure 8. Transfer Characteristics

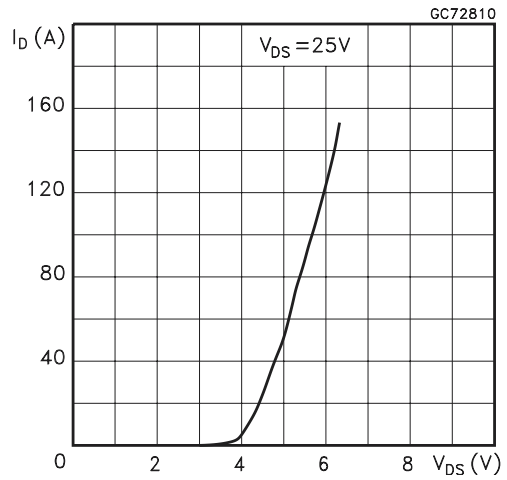


Figure 9. Transconductance

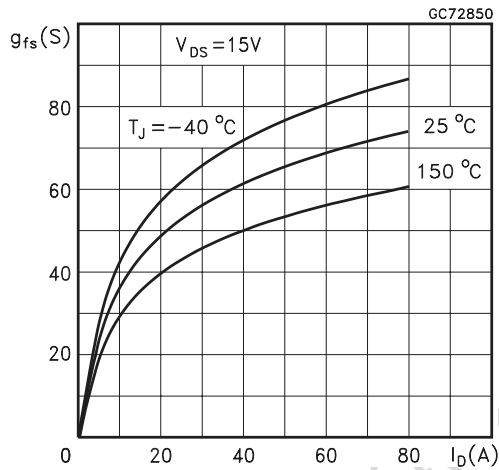


Figure 10. Static Drain-source On Resistance

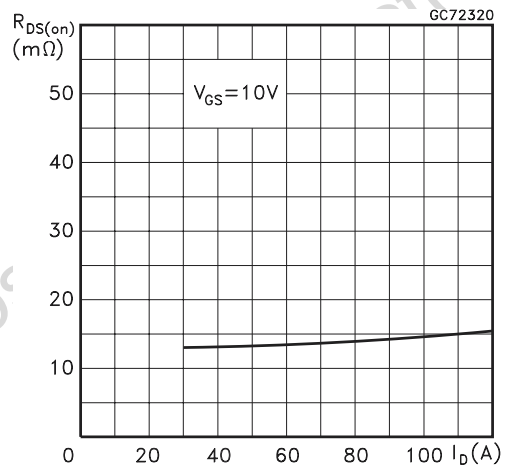


Figure 11. Gate Charge vs Gate-source Voltage

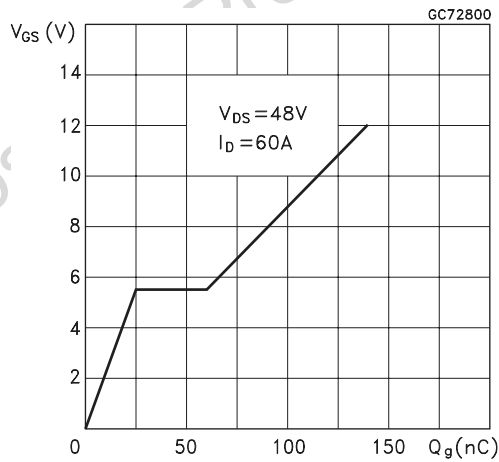


Figure 12. Capacitance Variations

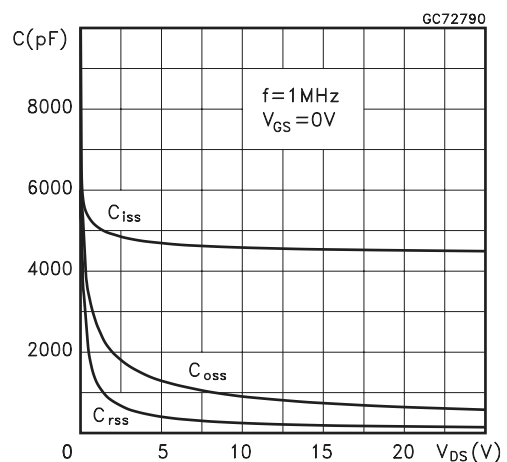


Figure 13. Normalized Gate Threshold Voltage vs Temperature

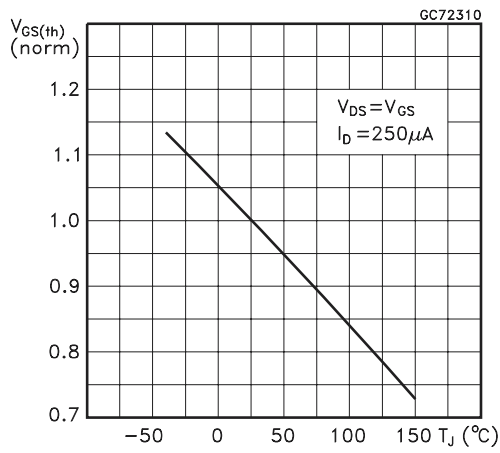


Figure 14. Normalized On Resistance vs Temperature

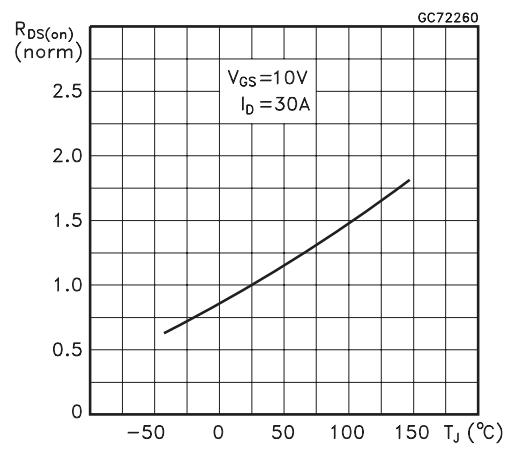


Figure 15. Source-drain Diode Forward Characteristics

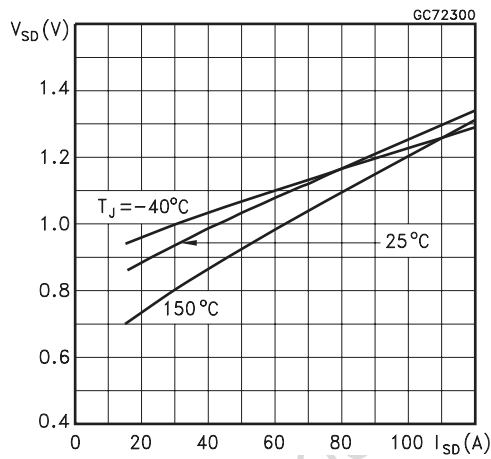


Figure 16. Unclamped Inductive Load Test Circuit

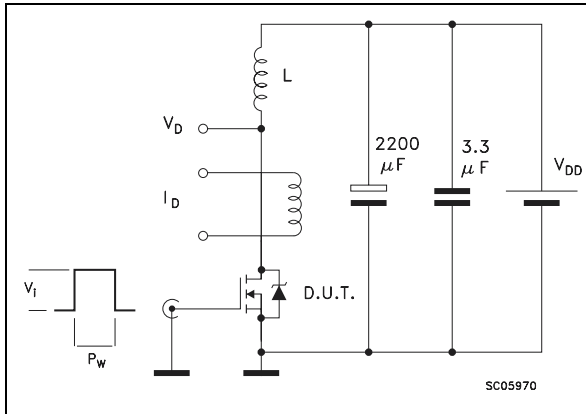


Figure 17. Unclamped Inductive Waveforms

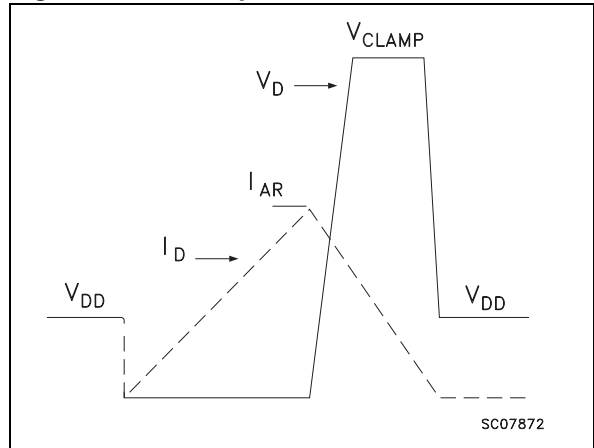


Figure 18. Switching Times Test Circuits For Resistive Load

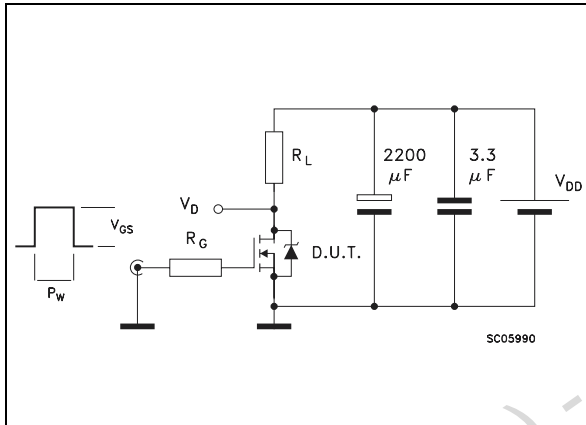


Figure 19. Gate Charge Test Circuit

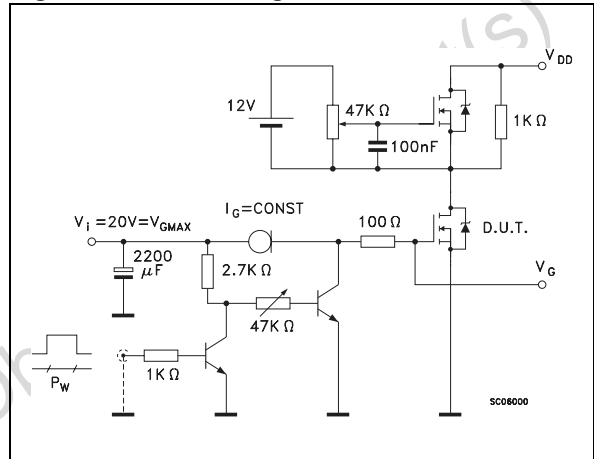
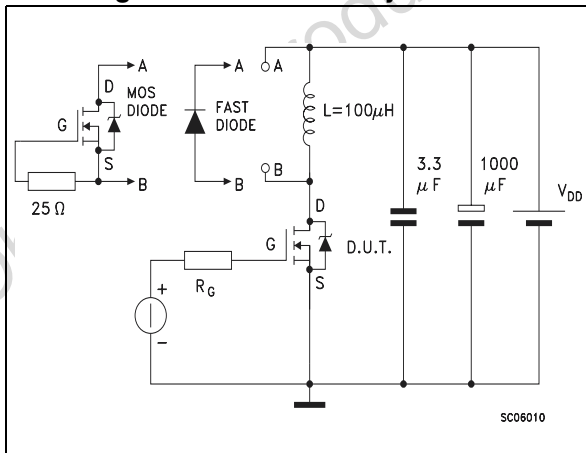


Figure 20. Test Circuit For Inductive Load Switching And Diode Recovery Times

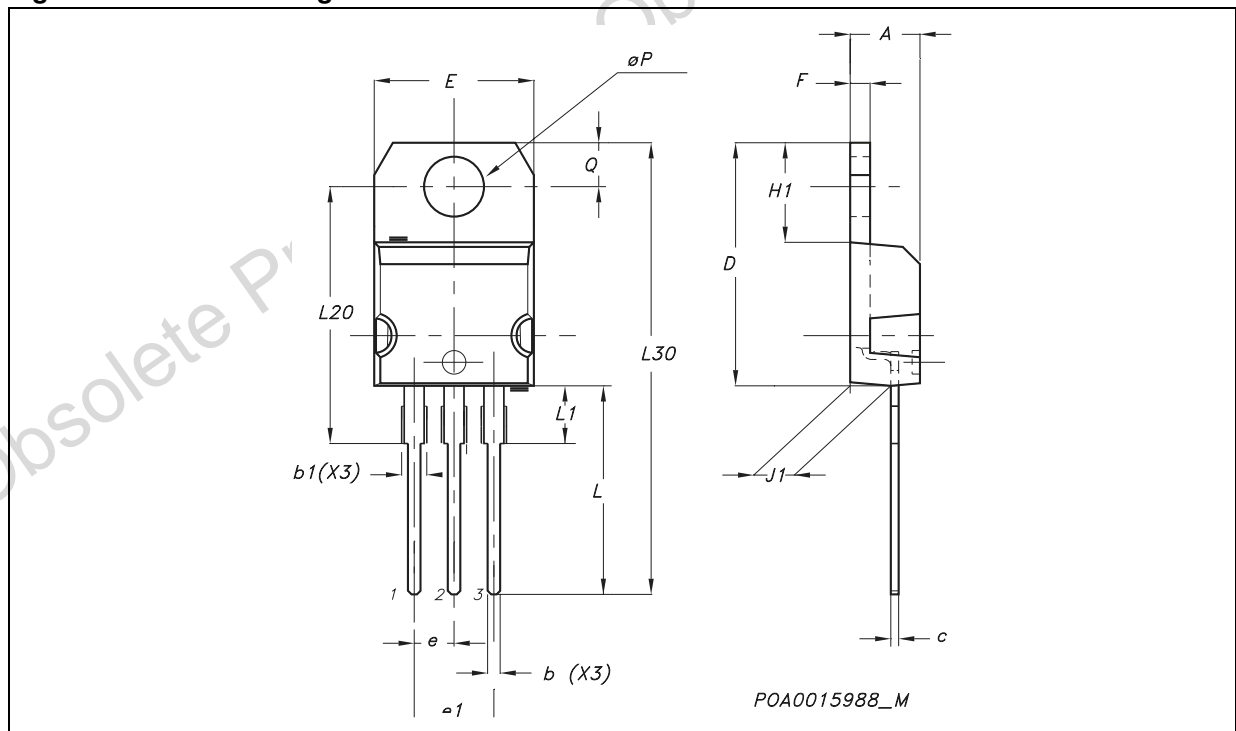


PACKAGE MECHANICAL

Table 12. TO-220 Mechanical Data

Symbol	millimeters			inches		
	Min	Typ	Max	Min	Typ	Max
A	4.40		4.60	0.173		0.181
b	0.61		0.88	0.024		0.034
b1	1.15		1.70	0.045		0.066
c	0.49		0.70	0.019		0.027
D	15.25		15.75	0.60		0.620
E	10		10.40	0.393		0.409
e	2.40		2.70	0.094		0.106
e1	4.95		5.15	0.194		0.202
F	1.23		1.32	0.048		0.052
H1	6.20		6.60	0.244		0.256
J1	2.40		2.72	0.094		0.107
L	13		14	0.511		0.551
L1	3.50		3.93	0.137		0.154
L20		16.40			0.645	
L30		28.90			1.137	
ØP	3.75		3.85	0.147		0.151
Q	2.65		2.95	0.104		0.116

Figure 21. TO-220 Package Dimensions

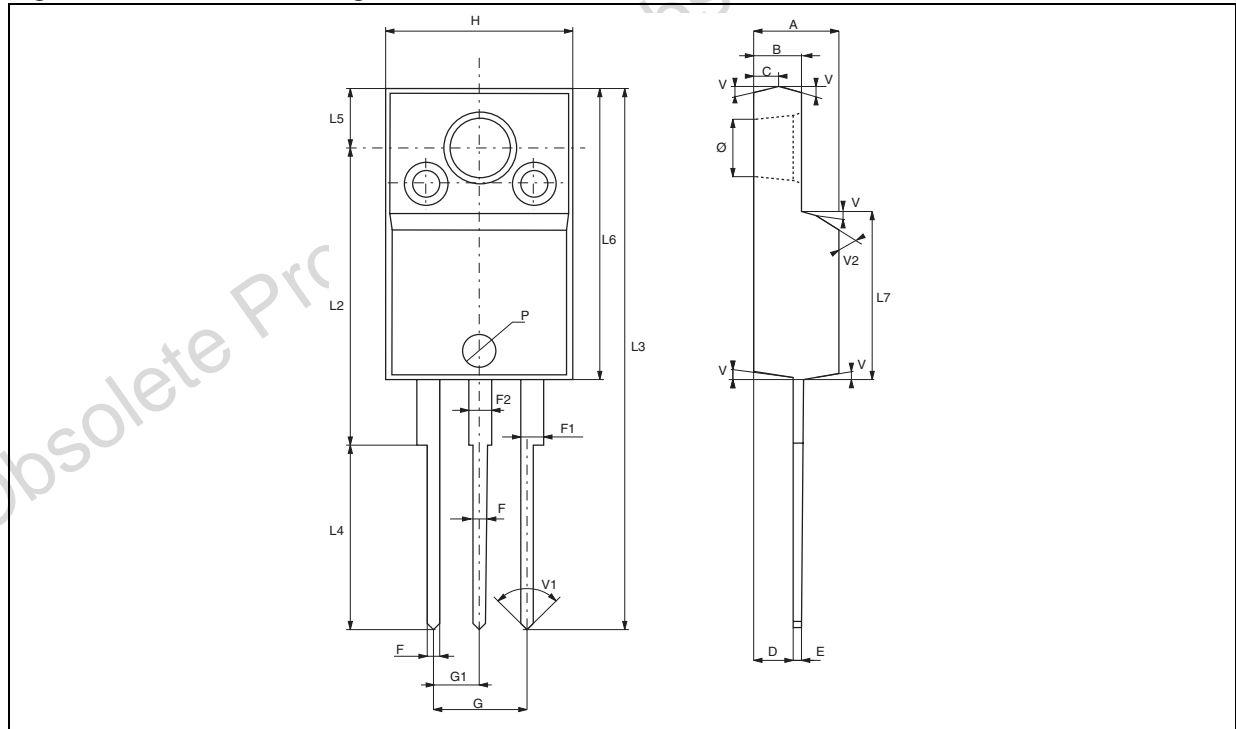


Note: Drawing is not to scale.

Table 13. TO-220FP Mechanical Data

Symbol	millimeters			inches		
	Min	Typ	Max	Min	Typ	Max
A	4.40		4.60	0.173		0.181
B	2.50		2.70	0.098		0.106
C	1.00		1.30	0.039		0.051
D	2.50		2.75	0.098		0.108
E	0.40		0.70	0.016		0.027
F	0.75		1.00	0.030		0.039
F1	1.15		1.70	0.045		0.066
F2	1.15		1.70	0.045		0.066
G	4.95		5.20	0.195		0.204
G1	2.40		2.70	0.094		0.106
H	10.00		10.40	0.393		0.409
L2		16.00			0.630	
L3	28.60		30.60	1.126		1.204
L4	9.80		10.60	0.385		0.417
L5	3.30		3.50	0.129		0.137
L6	15.90		16.40	0.626		0.645
L7	9.00		9.30	0.354		0.366
P			1.60			0.063
V		5°			5°	
V1	50°		100°	50°		100°
V2	44°		46°	44°		46°
Ø	3.00		3.20	0.118		0.126

Figure 22. TO-220FP Package Dimensions



Note: Drawing is not to scale.

REVISION HISTORY

Table 14. Revision History

Date	Revision	Description of Changes
December-1997	1	First Issue
14-Apr-2004	2	Stylesheet update. No content change.

Obsolete Product(s) - Obsolete Product(s)

Information furnished is believed to be accurate and reliable. However, STMicroelectronics assumes no responsibility for the consequences of use of such information nor for any infringement of patents or other rights of third parties which may result from its use. No license is granted by implication or otherwise under any patent or patent rights of STMicroelectronics. Specifications mentioned in this publication are subject to change without notice. This publication supersedes and replaces all information previously supplied. STMicroelectronics products are not authorized for use as critical components in life support devices or systems without express written approval of STMicroelectronics.

The ST logo is a registered trademark of STMicroelectronics.
All other names are the property of their respective owners

© 2004 STMicroelectronics - All rights reserved

STMicroelectronics GROUP OF COMPANIES

Australia - Belgium - Brazil - Canada - China - Czech Republic - Finland - France - Germany - Hong Kong - India - Israel - Italy - Japan -
Malaysia - Malta - Morocco - Singapore - Spain - Sweden - Switzerland - United Kingdom - United States

www.st.com