



**BOARD LEVEL COOLING - Channel 7024**

Channel 7024 is a channel board level heat sink designed to cool TO-220 and TO-220-single gauge devices. Representative image only.



**ORDERING INFORMATION**

Part Number	Device Type
7024B-MTG	TO-220, TO-220-single gauge

**HEAT SINK DETAILS**

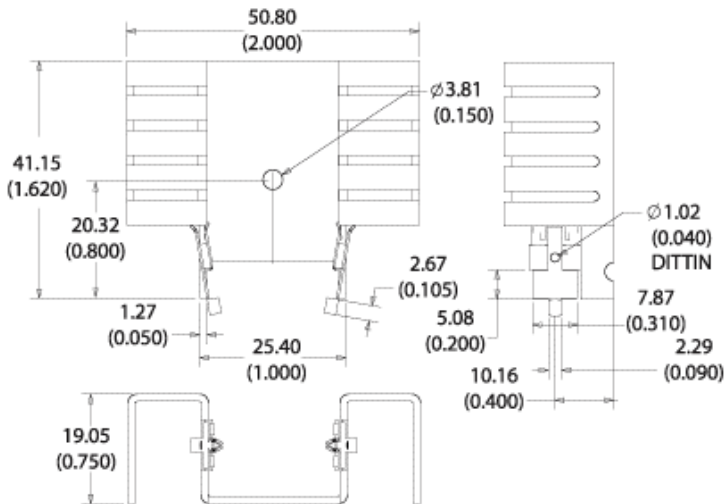
Property	Details
Material	Aluminum
Finish	Black Anodize
Device Attachment Options	Requires Mounting Kit
Thermal Interface Material	-

Property	Details
Heat Sink Width (mm)	50.80
Heat Sink Length (mm)	19.05
Heat Sink Height (mm)	41.15
Heat Sink Mounting Direction	Vertical

**MECHANICAL & PERFORMANCE**

Drawing dimensions are shown in mm, (in)

Part Number	"X" Dim	"Y" Dim	"Z" Dim
7024B-MTG	12.14 (0.478)	8.89(0.350)	3.10 (0.122)



Mounting Details:

