

Multi-Channel Silicon ESD Protector Overvoltage Protection Device

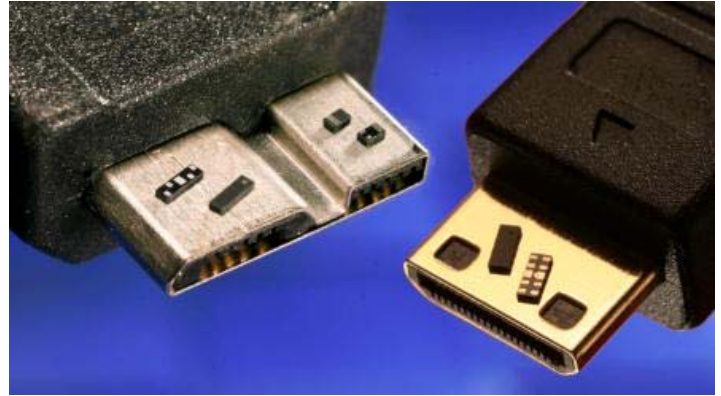
PRODUCT: SESD0802Q4UG-0020-090

DOCUMENT: SCD28189
REV LETTER: A
REV DATE: December 6, 2011
PAGE NO.: Page 1 of 6

Specification Status: Preliminary

BENEFITS

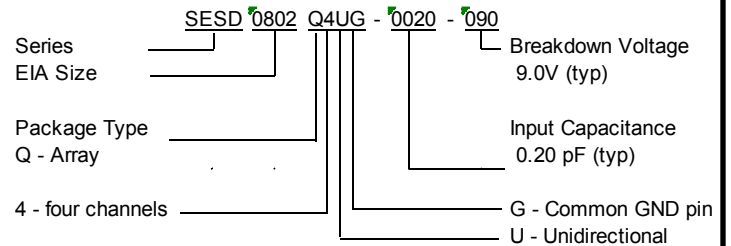
- Industry-leading lowest capacitance; provides lowest insertion loss for high speed data signals
- Industry's smallest footprint and lowest profile multi-channel ESD array helps to optimize board space
- Flow-through and single connection design helps routing PCB matched impedance high speed data lines
- Helps protect electronic circuits against damage from Electrostatic Discharge (ESD), surge and cable discharge events
- Assists equipment to pass IEC61000-4-2, level 4 testing



FEATURES

- Low capacitance: 0.20 pF (typ)
- Low leakage current: 50nA @ 5V (max)
- Low clamping voltage: +9.18 / -0.8V (typ) @ (tp=8x20µs, Ipp=2A)
- ESD maximum rating per IEC61000-4-2 standard:
 - ± 20kV contact discharge
 - ± 20kV air discharge
- Surge: 2A (max) @ (tp=8x20µs) per IEC61000-4-2-5
- Small size and low profile: XDFN array packages 0.31mm height

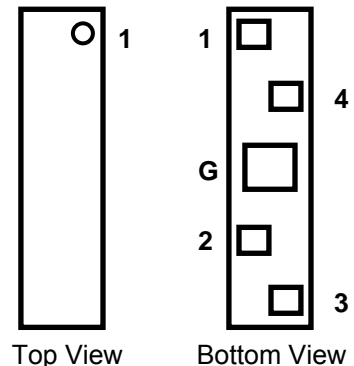
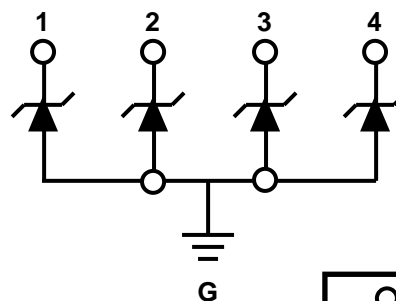
PART NUMBERING



APPLICATIONS

- Consumer, mobile and portable electronics
- Tablet PC and external storage with high speed interfaces
- Ultra-high speed data lines
- USB 3.0/2.0, HDMI 1.3/1.4, DisplayPort, Thunderbolt (Light Peak), V-by-One HS, and LVDS interfaces
- Applications requiring high ESD performance in small DFN packages

SCHEMATIC AND PIN CONFIGURATION



MATERIALS INFORMATION

RoHS Compliant ELV Compliant Halogen Free * Lead Free

Directive 2000/53/EC Compliant

Directive 2002/95/EC Compliant



* Halogen Free refers to: Br≤900ppm, Cl≤900ppm, Br+Cl≤1500ppm
SESD devices meet MSL-1 Requirements
DFN case epoxy meets UL 94 V-0

Multi-Channel Silicon ESD Protector Overvoltage Protection Device

DEVICE MAXIMUM RATING

ESD Withstand ⁽¹⁾ (IEC 61000-4-2, level 4)		Temperature		Peak Current (tp=8x20μs)
Contact (kV)	Air (kV)	Operating (°C)	Storage (°C)	I _{pp} (A)
± 20	± 20	-55 to +125	-55 to +150	2.0

⁽¹⁾ 20kV @ ± 1 pulse; 10kV @ ± 50 pulses; 8kV @ 1,000 pulses (under IEC6100-4-2)

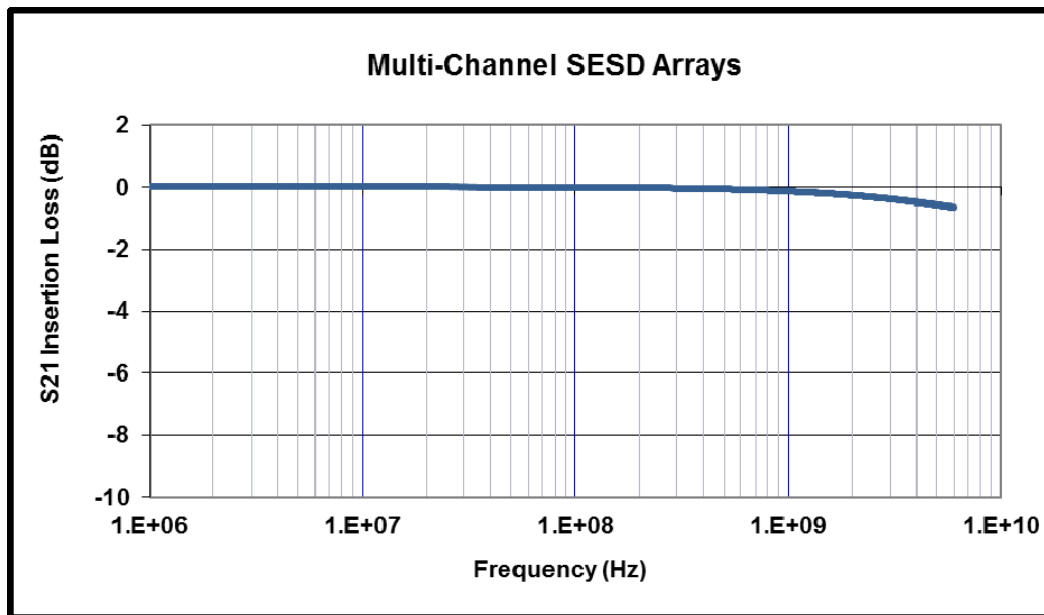
- Device maximum rating @ T = 25°C, unless otherwise specified
- Caution: Stress exceeding Device Maximum Ratings may damage the device
Prolonged exposure to stresses above the Recommended Operating Conditions may affect device reliability

DEVICE ELECTRICAL CHARACTERISTICS

Input Capacitance @ V _R = 0V, f = 3GHz, I/O to GND (pF)		Breakdown Voltage V _{BR} @ I _T =1mA (V)	Reverse Working Voltage (V)		Reverse Leakage Current I _L @ V _{WRV} =5.0V (nA)		Clamping Voltage V _{CL} @ I _{pp} =2.0A (V)
Typ	Maximum	Typ	Min	Max	Typ	Max	Max
0.20	0.22	+9.00 / -0.80	0	+8.00	<5.0	50.0	+9.18 / -0.80

- All device electrical characteristics @ T = 25°C, unless otherwise specified

FIGURE 1. INSERTION LOSS DIAGRAM



Application	Bit Rate (Gbps)	@Freq (GHz)	Ins. Loss (dB)
HDMI 1.4 (1080P)	2.25	1.13	-0.15
DisplayPort	2.70	1.35	-0.20
HDMI 1.4 (max spec)	3.40	1.70	-0.23
USB3.0	5.00	2.50	-0.29
eSATA	6.00	3.00	-0.35
Thunderbolt	10.0	5.00	-0.50

Multi-Channel Silicon ESD Protector Overvoltage Protection Device

FIGURE 2. DEVICE IV CURVE

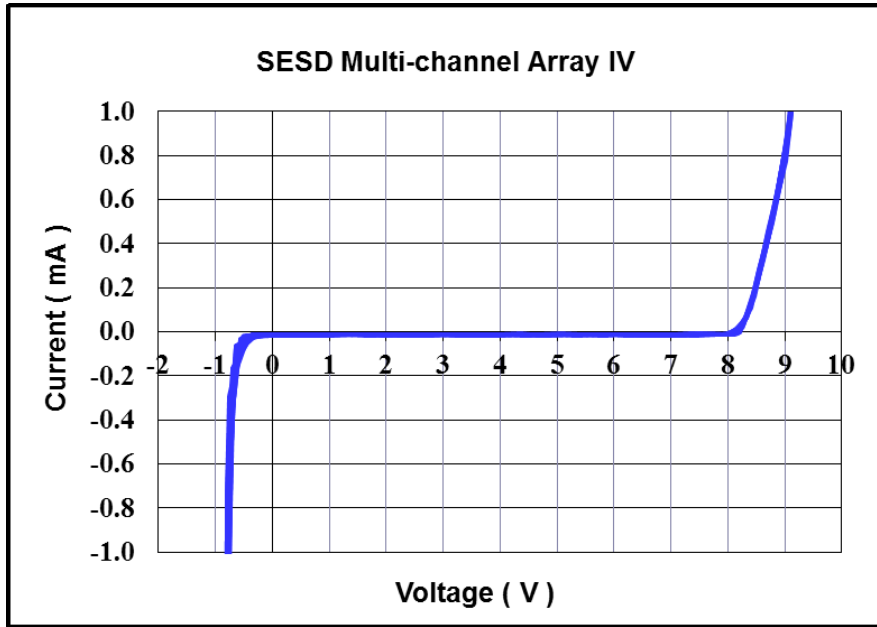
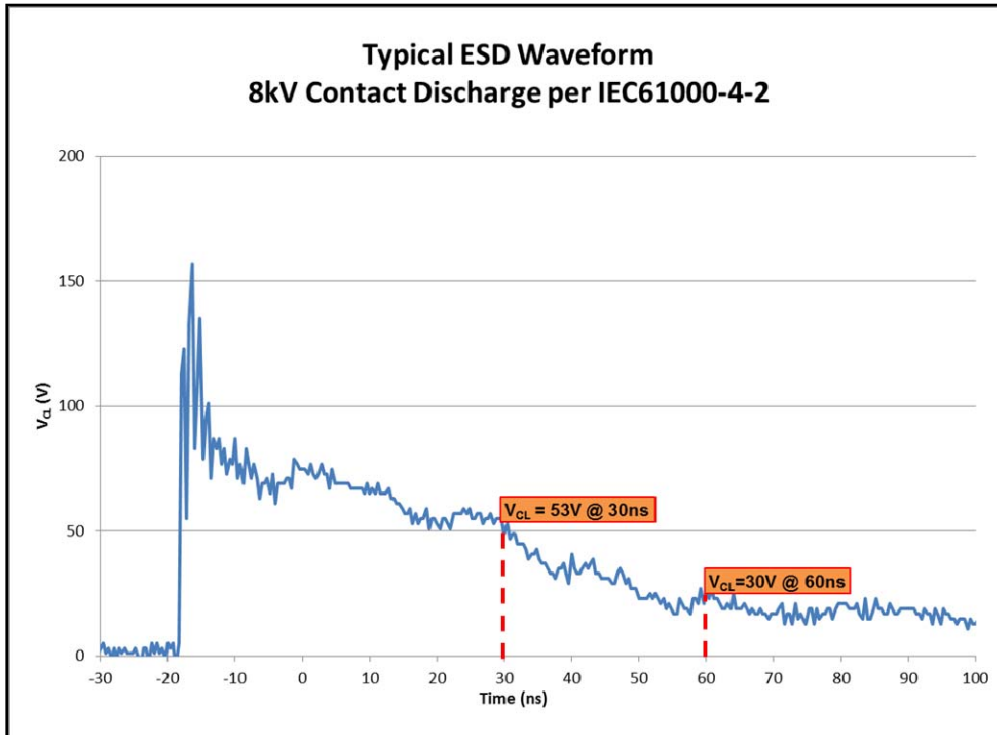


FIGURE 3. ESD WITHSTAND

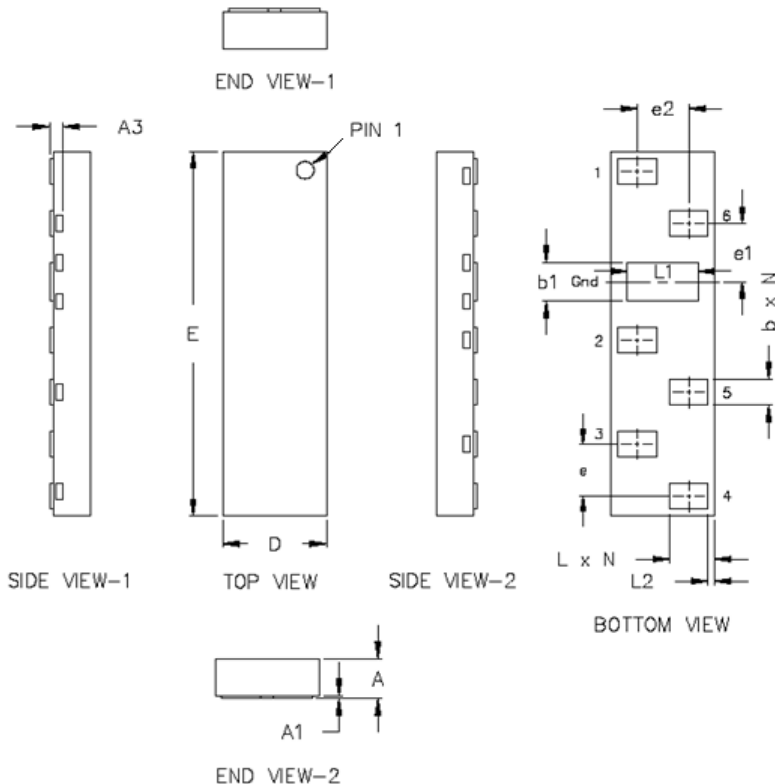


Multi-Channel Silicon ESD Protector Overvoltage Protection Device

PRODUCT: SESD0802Q4UG-0020-090

DOCUMENT: SCD28189
REV LETTER: A
REV DATE: December 6, 2011
PAGE NO.: Page 4 of 6

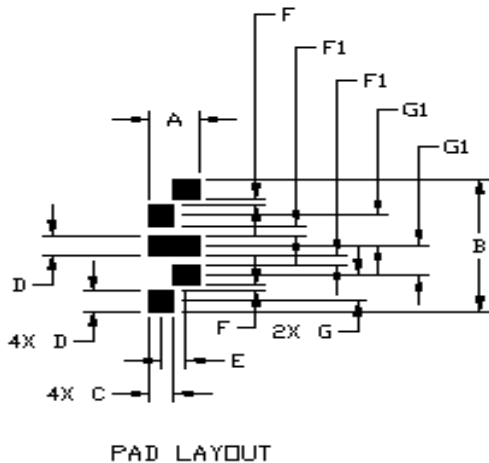
DEVICE DIMENSIONS



SESD0802Q4UG-0020-090						
Dim	Millimeters			Inches		
	Min	Nom	Max	Min	Nom	Max
A	0.30	0.31	0.32	0.0118	0.0122	0.0126
A1	0.00	--	0.05	0.0000	--	0.0020
A3	0.10 ref			0.004 ref.		
D	0.50	0.60	0.70	0.020	0.024	0.028
E	1.90	2.00	2.10	0.075	0.079	0.083
b	0.15	0.20	0.25	0.006	0.008	0.010
b1	0.25	0.30	0.36	0.010	0.012	0.014
L	0.25	0.30	0.35	0.010	0.012	0.014
L1	0.35	0.4	0.45	0.014	0.016	0.018
L2	0.05 BSC			0.002 BSC		
e	0.40 BSC			0.016 BSC		
e1	0.45 BSC			0.018 BSC		
e2	0.25 BSC			0.010 BSC		
N	4			4		

BSC – Basic Spacing between Centers

RECOMMENDED LANDING PATTERN:



SESD Landing Pad Layout 5 Pin 4-ch Miniature FT Array		
Symbol	Millimeters	Inches
A	0.60	0.024
B	2.00	0.079
C	0.30	0.012
D	0.30	0.012
E	0.30	0.012
F	0.10	0.004
F1	0.15	0.006
G	0.40 BSC	0.016 BSC
G1	0.45 BSC	0.018 BSC

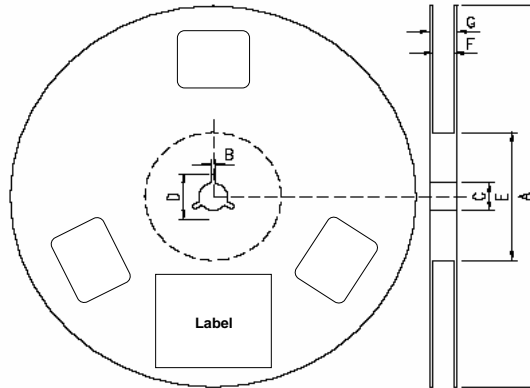
BSC – Basic Spacing between Centers

PACKAGING

Packaging	Tape & Reel	Standard Box
SESD0802Q4UG-0020-090	5,000	25,000

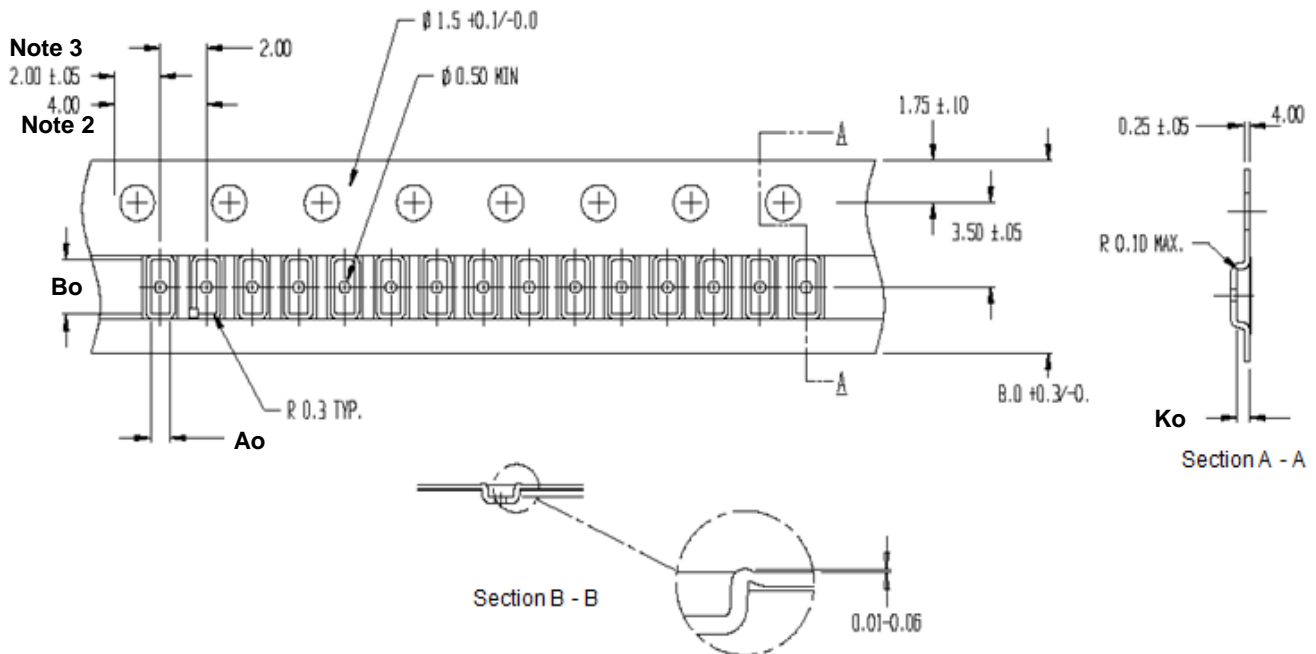
Multi-Channel Silicon ESD Protector Overvoltage Protection Device

REEL DIMENSIONS



Dimensions	A	B	C	D	E	F	G
(mm)	180.0 ± 1.5	23.0 ± 0.2	13.0 + 0.5 / -0.2	17.3 ± 0.2	60.5 ± 1.5	8.4 + 1.5/-0.0	14.4 (max)

CARRIER TAPE DIMENSIONS



Ao	0.81 ± 0.05
Bo	2.21 ± 0.05
Ko	0.46 ± 0.05

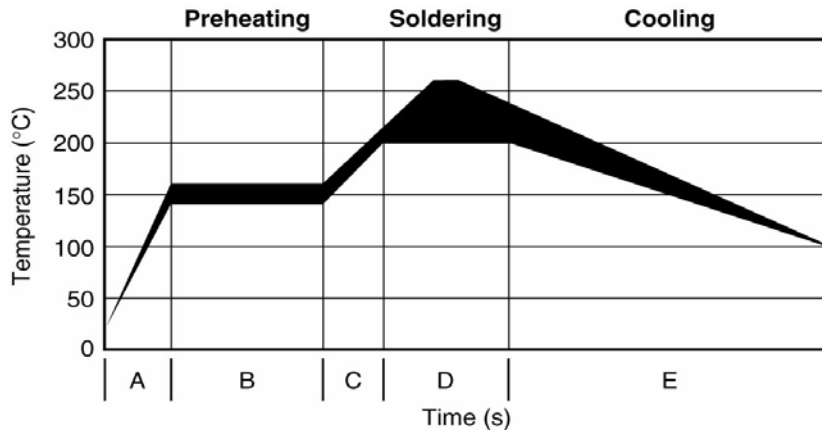
- Note 1. All dimensions in mm
 Note 2. 10 sprocket hole pitch cumulative tolerance ± 0.2
 Note 3. Pocket position relative to sprocket hole measured as true position of pocket, not pocket hole
 Note 4. Ao and Bo are calculated on a plane at a distance "R" at the bottom of the pocket
 Note 5. Tolerances unless noted 1PL ± 0.20, 2PL ± 0.10

Multi-Channel Silicon ESD Protector Overvoltage Protection Device

SOLDER REFLOW RECOMMENDATION

A	Temperature ramp up 1	From ambient to Preheating temperature	30s to 60s
B	Preheating	140°C - 160°C	60s to 120s
C	Temperature ramp up 2	From Preheating to Main heating temperature	20s to 40s
D	Main heating	at 200°C at 220°C at 240°C at 260°C	60s ~ 70s 50s ~ 60s 30s ~ 40s 5s ~ 10s
E	Cooling	From main heating temperature to 100°C	4°C/s (max)

FIGURE 4. REFLOW PROFILE



All information, including illustrations, is believed to be accurate and reliable. Users, however, should independently evaluate the suitability of and test each product selected for their application. Tyco Electronics Corporation and/or its Affiliates in the TE Connectivity Ltd. family of companies ("TE") make no warranties as to the accuracy or completeness of the information, and disclaims any liability regarding its use. TE only obligations are those in the TE Standard Terms and Conditions of Sale and in no case will TE be liable for any incidental, indirect, or consequential damages arising from the sale, resale, use, or misuse of its products. Specifications are subject to change without notice. In addition, TE reserves the right to make changes to materials or processing that do not affect compliance with any applicable specification without notification to Buyer. Without expressed or written consent by an officer of TE, TE does not authorize the use of any of its products as components in nuclear facility applications, aerospace, or in critical life support devices or systems.

TE Connectivity, TE Connectivity (logo), and TE (logo) are trademarks.

Other logos, products and /or company names might be trademarks of their respective owners.