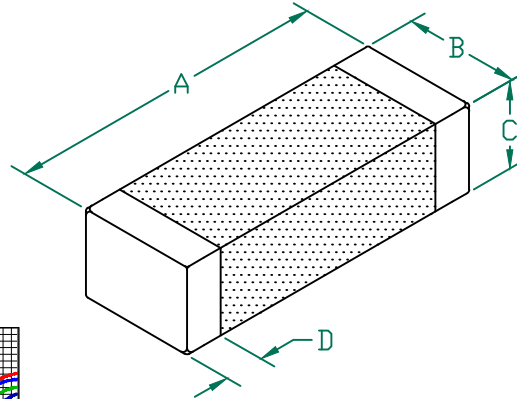


# HI3312X101R-10

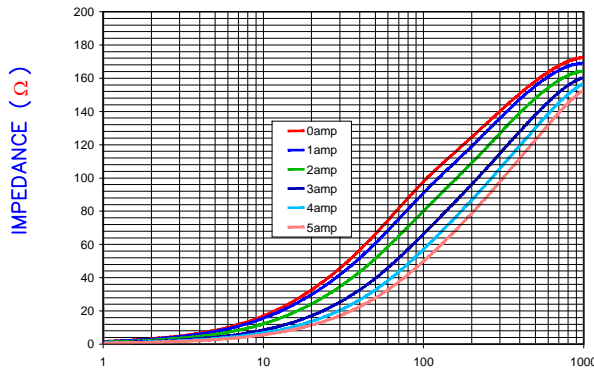
## PHYSICAL DIMENSIONS:

|   |             |               |
|---|-------------|---------------|
| A | 8.50 [.335] | + 0.20 [.008] |
| B | 3.05 [.120] | + 0.20 [.008] |
| C | 2.28 [.090] | + 0.20 [.008] |
| D | 0.89 [.035] | + 0.20 [.008] |



| ELECTRICAL CHARACTERISTICS: |            |               |
|-----------------------------|------------|---------------|
| Z @ 100MHz<br>(Ω)           | DCR<br>(Ω) | Rated Current |
| Nominal                     | 100        |               |
| Minimum                     | 75         |               |
| Maximum                     | 125        | 0.004         |
|                             |            | 10,000 mA     |

Z vs FREQUENCY  
IMPEDANCE UNDER DC BIAS



## NOTES: UNLESS OTHERWISE SPECIFIED

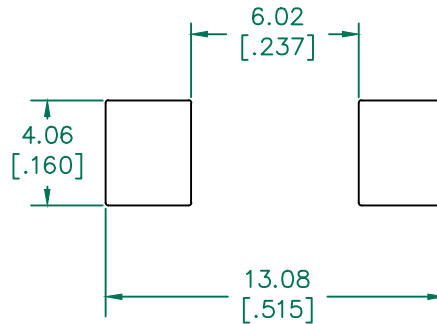
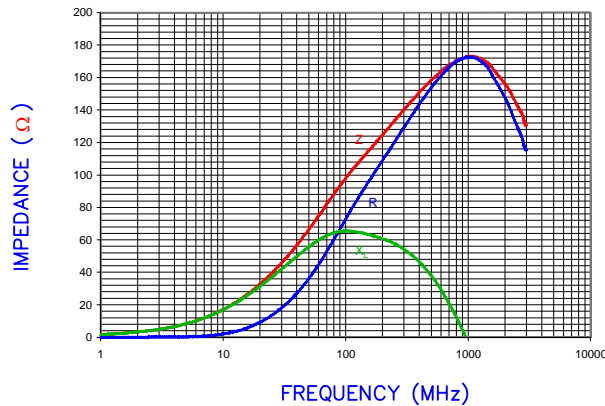
1. TAPED AND REELED per CURRENT EIA SPECIFICATIONS, 13" REELS, 2,500 PCS/REEL.
2. TERMINATION FINISH IS 100% TIN.
3. COMPONENTS SHOULD BE ADEQUATELY PREHEATED BEFORE SOLDERING.
4. OPERATING TEMPERATURE TEMP: -40°C~+125°C (INCLUDING SELF-HEATING)
5. COSMETIC SPECIFICATION REFER TO WI-QA-124.

## LAND PATTERNS FOR REFLOW SOLDERING

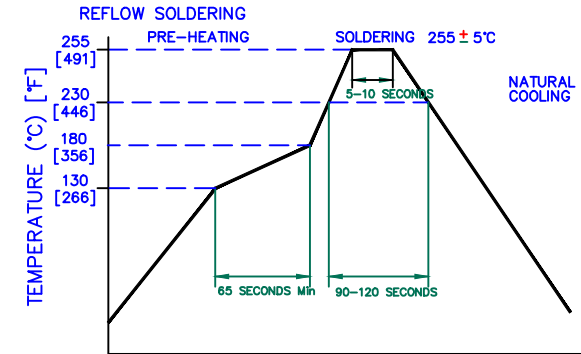
## RECOMMENDED SOLDERING CONDITIONS

FREQUENCY (MHz)

|Z|, R, AND X vs. FREQUENCY



(For wave soldering, add 0.762 [.030] to this dimension.)



| DIMENSIONS ARE IN mm [INCHES] |                                                              |          |     | This print is the property of Laird Tech. and is loaned in confidence subject to return upon request and with the understanding that no copies shall be made without the written consent of Laird Tech. All rights to design or invention are reserved. |            |
|-------------------------------|--------------------------------------------------------------|----------|-----|---------------------------------------------------------------------------------------------------------------------------------------------------------------------------------------------------------------------------------------------------------|------------|
| E                             | ADD OPERATING TEMPERATURE UPDATE LAIRD LOGO AND REFLOW CURVE | 08/05/13 | QU  |                                                                                                                                                                                                                                                         |            |
| D                             | UPDATE COMPANY LOGO                                          | 02/11/08 | JRK |                                                                                                                                                                                                                                                         |            |
| C                             | CHANGE TOLS ON D DIMENSION                                   | 08/29/06 | JRK |                                                                                                                                                                                                                                                         |            |
| B                             | INCREASE "D" DIMENSION TO 0.35                               | 03/20/06 | JRK |                                                                                                                                                                                                                                                         |            |
| A                             | ORIGINAL DRAFT                                               | 09/19/05 | JRK |                                                                                                                                                                                                                                                         |            |
| PROJECT/PART NUMBER:          |                                                              |          |     | REV                                                                                                                                                                                                                                                     | PART TYPE: |
| HI3312X101R-10                |                                                              |          |     | E                                                                                                                                                                                                                                                       | CO-FIRE    |
| DATE:                         |                                                              |          |     | SCALE:                                                                                                                                                                                                                                                  | SHEET:     |
| 08/05/13                      |                                                              |          |     | -                                                                                                                                                                                                                                                       | -          |
| CAD #                         |                                                              |          |     | TOOL #                                                                                                                                                                                                                                                  | 1 of 1     |
| HI3312X101R-10-E              |                                                              |          |     | -                                                                                                                                                                                                                                                       |            |
| REV                           | DESCRIPTION                                                  | DATE     | INT |                                                                                                                                                                                                                                                         |            |