

PIC12LF1552 Memory Programming Specification

This document includes the programming specifications for the following device:

- PIC12LF1552

1.0 OVERVIEW

The device can be programmed using either the high-voltage In-Circuit Serial Programming™ (ICSP™) method or the low-voltage ICSP™ method.

1.1 Hardware Requirements

1.1.1 HIGH-VOLTAGE ICSP PROGRAMMING

In High-Voltage ICSP™ mode, this device requires two programmable power supplies: one for VDD and one for the MCLR/VPP pin.

1.1.2 LOW-VOLTAGE ICSP PROGRAMMING

In Low-Voltage ICSP™ mode, this device can be programmed using a single VDD source in the operating range. The MCLR/VPP pin does not have to be brought to a different voltage, but can instead be left at the normal operating voltage.

1.1.2.1 Single-Supply ICSP Programming

The LVP bit in Configuration Word 2 enables single-supply (low-voltage) ICSP programming. The LVP bit defaults to a '1' (enabled) from the factory. The LVP bit may only be programmed to '0' by entering the High-Voltage ICSP mode, where the MCLR/VPP pin is raised to VIH. Once the LVP bit is programmed to a '0', only the High-Voltage ICSP mode is available and only the High-Voltage ICSP mode can be used to program the device.

Note 1: The High-Voltage ICSP mode is always available, regardless of the state of the LVP bit, by applying VIH to the MCLR/VPP pin.

2: While in Low-Voltage ICSP mode, MCLR is always enabled, regardless of the MCLRE bit, and the port pin can no longer be used as a general purpose input.

1.2 Pin Utilization

Five pins are needed for ICSP™ programming. The pins are listed in [Table 1-1](#).

TABLE 1-1: PIN DESCRIPTIONS DURING PROGRAMMING

Pin Name	During Programming		
	Function	Pin Type	Pin Description
RA1	ICSPCLK	I	Clock Input – Schmitt Trigger Input
RA0	ICSPDAT	I/O	Data Input/Output – Schmitt Trigger Input
MCLR/VPP/RA3	Program/Verify mode	P ⁽¹⁾	Program Mode Select/Programming Power Supply
VDD	VDD	P	Power Supply
VSS	VSS	P	Ground

Legend: I = Input, O = Output, P = Power

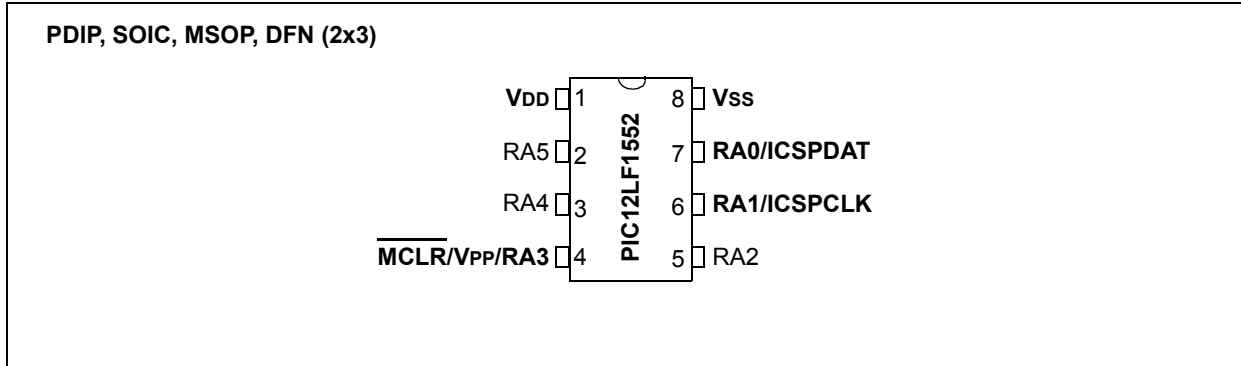
Note 1: The programming high voltage is internally generated. To activate the Program/Verify mode, high voltage needs to be applied to MCLR input. Since the MCLR is used for a level source, MCLR does not draw any significant current.

PIC12LF1552

2.0 DEVICE PINOUTS

The pin diagram is shown in [Figure 2-1](#). The pins that are required for programming are listed in [Table 1-1](#) and shown in bold lettering in the pin diagram.

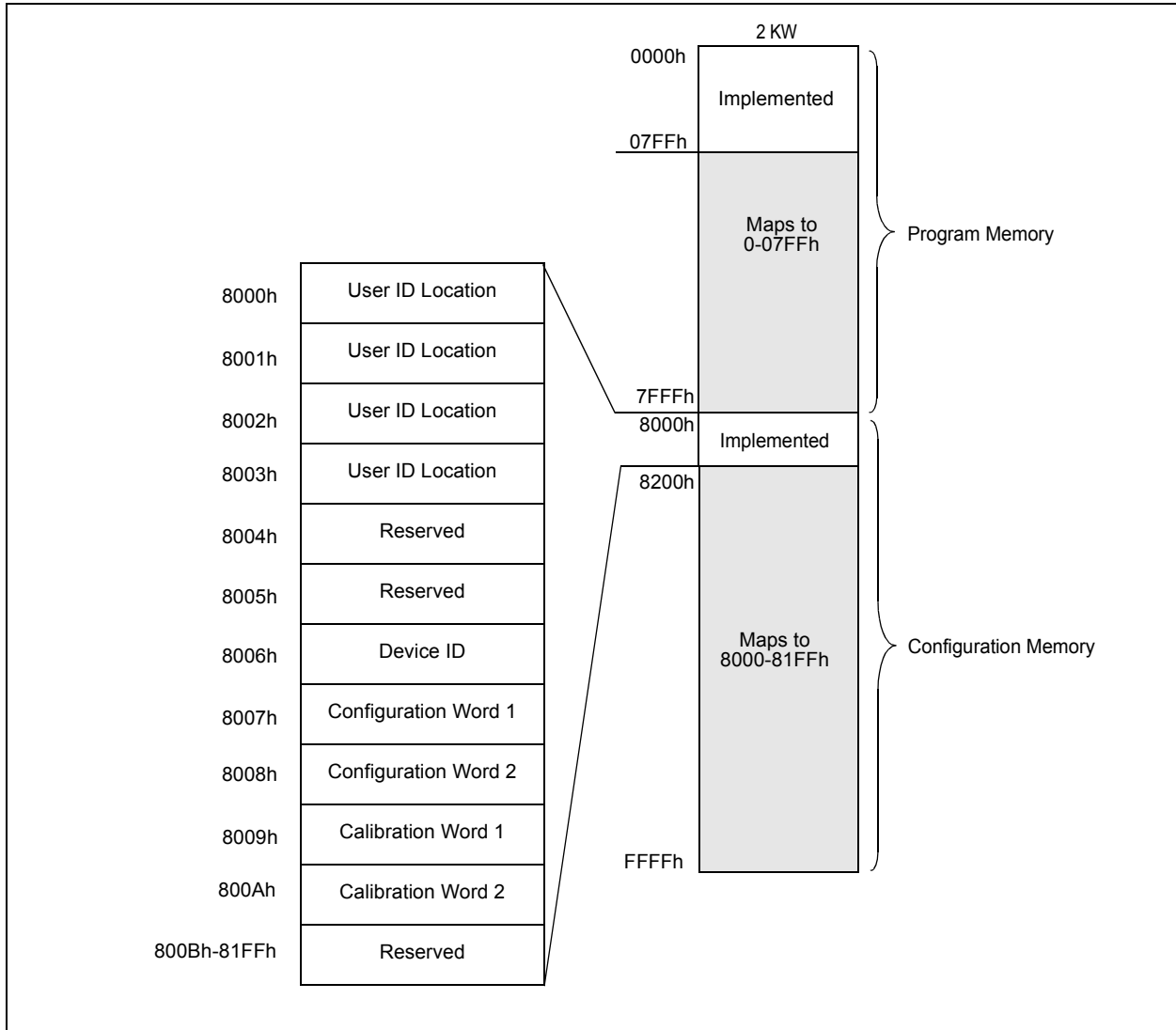
FIGURE 2-1: 8-PIN PDIP, SOIC, MSOP, DFN DIAGRAM FOR PIC12LF1552



3.0 MEMORY MAP

The memory is broken into two sections: program memory and configuration memory.

FIGURE 3-1: PIC12LF1552 PROGRAM MEMORY MAPPING



PIC12LF1552

3.1 User ID Location

A user may store identification information (user ID) in four designated locations. The user ID locations are mapped to 8000h-8003h. Each location is 14 bits in length. Code protection has no effect on these memory locations. Each location may be read with code protection enabled or disabled.

Note: MPLAB® IDE only displays the seven Least Significant bits (LSb) of each user ID location, the upper bits are not read. It is recommended that only the seven LSbs be used if MPLAB IDE is the primary tool used to read these addresses.

3.2 Device ID

The device ID word is located at 8006h. This location is read-only and cannot be erased or modified.

REGISTER 3-1: DEVICE ID: DEVICE ID REGISTER⁽¹⁾

R	R	R	R	R	R
DEV8	DEV7	DEV6	DEV5	DEV4	DEV3
bit 13					bit 8

R	R	R	R	R	R	R	R
DEV2	DEV1	DEV0	REV4	REV3	REV2	REV1	REV0
bit 7							bit 0

Legend:

R = Readable bit

'1' = Bit is set

'0' = Bit is cleared

bit 13-5 **DEV<8:0>**: Device ID bits
 These bits are used to identify the part number.

bit 4-0 **REV<4:0>**: Revision ID bits
 These bits are used to identify the revision.

Note 1: This location cannot be written.

TABLE 3-1: DEVICE ID VALUES

DEVICE	DEVICE ID VALUES	
	DEV	REV
PIC12LF1552	0010 1011 110	x xxxx

3.3 Configuration Words

There are two Configuration Words, Configuration Word 1 (8007h) and Configuration Word 2 (8008h). The individual bits within these Configuration Words are used to enable or disable device functions such as the Brown-out Reset, code protection and Power-up Timer.

3.4 Calibration Words

The internal calibration values are factory calibrated and stored in Calibration Words 1 and 2 (8009h, 800Ah).

The Calibration Words do not participate in erase operations. The device can be erased without affecting the Calibration Words.

REGISTER 3-2: CONFIGURATION WORD 1

U-1	U-1	R/P-1	R/P-1	R/P-1	U-1 ⁽³⁾
—	—	CLKOUTEN	BOREN<1:0>		—
bit 13		bit 8			

R/P-1	R/P-1	R/P-1	R/P-1	R/P-1	U-1	R/P-1	R/P-1
CP	MCLRE	PWRTE	WDTE<1:0>		—	FOSC<1:0>	
bit 7		bit 0					

Legend:

R = Readable bit P = Programmable bit U = Unimplemented bit, read as '1'
 '0' = Bit is cleared '1' = Bit is set -n = Value when blank or after Bulk Erase

- bit 13-12 **Unimplemented:** Read as '1'
- bit 11 **CLKOUTEN:** Clock Out Enable bit
 1 = CLKOUT function is disabled. I/O or oscillator function on CLKOUT pin.
 0 = CLKOUT function is enabled on CLKOUT pin
- bit 10-9 **BOREN<1:0>:** Brown-out Reset Enable bits⁽¹⁾
 When enabled, Brown-out Reset Voltage (VBOR) is set by the BORV bit of the Configuration Word 2 register.
 11 = Brown-out Reset enabled. SPBOREN bit is ignored.
 10 = Brown-out Reset enabled while running and disabled in Sleep. SBOREN bit is ignored.
 01 = Brown-out Reset controlled by the SBOREN bit in the BORCON register
 00 = Brown-out Reset disabled. SBOREN bit is ignored
- bit 8⁽³⁾ **Unimplemented:** Read as '1'
- bit 7 **CP:** Code Protection bit⁽²⁾
 1 = Program memory code protection is disabled
 0 = Program memory code protection is enabled
- bit 6 **MCLRE:** MCLR/VPP Pin Function Select bit
If LVP bit = 1:
 This bit is ignored.
If LVP bit = 0:
 1 = MCLR/VPP pin function is MCLR; Weak pull-up enabled.
 0 = MCLR/VPP pin function is digital input; MCLR internally disabled; Weak pull-up under control of WPUA register.
- bit 5 **PWRTE:** Power-up Timer Enable bit⁽¹⁾
 1 = PWRT disabled
 0 = PWRT enabled
- bit 4-3 **WDTE<1:0>:** Watchdog Timer Enable bit
 11 = WDT enabled. SWDTEN is ignored.
 10 = WDT enabled while running and disabled in Sleep. SWDTEN is ignored.
 01 = WDT controlled by the SWDTEN bit in the WDTCON register
 00 = WDT disabled. SWDTEN is ignored.
- bit 2 **Unimplemented:** Read as '1'
- bit 1-0 **FOSC<1:0>:** Oscillator Selection bits
 11 = ECH: External Clock, High-Power mode: on CLKIN pin
 10 = ECM: External Clock, Medium-Power mode: on CLKIN pin
 01 = ECL: External Clock, Low-Power mode: on CLKIN pin
 00 = INTOSC oscillator: I/O function on OSC1 pin

- Note** 1: Enabling Brown-out Reset does not automatically enable Power-up Timer.
 2: The entire program memory will be erased when the code protection is turned off.
 3: This bit should be maintained as '1' when programmed.

PIC12LF1552

REGISTER 3-3: CONFIGURATION WORD 2

R/P-1	U-1	R/P-1	R/P-1	R/P-1	U-1
LVP	—	LPBOR	BORV	STVREN	—
bit 13					bit 8

U-1	U-1	U-1	U-1	U-1	U-1	R/P-1	R/P-1
—	—	—	—	—	—	WRT<1:0>	
bit 7						bit 0	

Legend:

R = Readable bit P = Programmable bit U = Unimplemented bit, read as '1'
 '0' = Bit is cleared '1' = Bit is set -n = Value when blank or after Bulk Erase

- bit 13 **LVP:** Low-Voltage Programming Enable bit⁽¹⁾
 1 = Low-voltage programming enabled. MCLR/VPP pin function is MCLR. MCLRE Configuration bit is ignored.
 0 = HV on MCLR/VPP must be used for programming.
- bit 12 **Unimplemented:** Read as '1'
- bit 11 **LPBOR:** Low-Power BOR bit
 1 = Low-Power BOR is disabled
 0 = Low-Power BOR is enabled
- bit 10 **BORV:** Brown-out Reset Voltage Selection bit
 1 = Brown-out Reset Voltage (VBOR) set to 1.9V
 0 = Brown-out Reset Voltage (VBOR) set to 2.7V
- bit 9 **STVREN:** Stack Overflow/Underflow Reset Enable bit
 1 = Stack Overflow or Underflow will cause a Reset
 0 = Stack Overflow or Underflow will not cause a Reset
- bit 8-2 Unimplemented: Read as '1'
- bit 1-0 **WRT<1:0>:** Flash Memory Self-Write Protection bits
 11 = Write protection off
 10 = 000h to 1FFh write-protected, 200h to 7FFh may be modified by PMCON control
 01 = 000h to 3FFh write-protected, 400h to 7FFh may be modified by PMCON control
 00 = 000h to 7FFh write-protected, no addresses may be modified by PMCON control

Note 1: The LVP bit cannot be programmed to '0' when Programming mode is entered via LVP.

4.0 PROGRAM/VERIFY MODE

In Program/Verify mode, the program memory and the configuration memory can be accessed and programmed in serial fashion. ICSPDAT and ICSPCLK are used for the data and the clock, respectively. All commands and data words are transmitted LSb first. Data changes on the rising edge of the ICSPCLK and latched on the falling edge. In Program/Verify mode, both the ICSPDAT and ICSPCLK are Schmitt Trigger inputs. The sequence that enters the device into Program/Verify mode places all other logic into the Reset state. Upon entering Program/Verify mode, all I/Os are automatically configured as high-impedance inputs and the address is cleared.

4.1 High-Voltage Program/Verify Mode Entry and Exit

There are two different methods of entering Program/Verify mode via high voltage:

- VPP – First entry mode
- VDD – First entry mode

4.1.1 VPP – FIRST ENTRY MODE

To enter Program/Verify mode via the VPP-first method the following sequence must be followed:

1. Hold ICSPCLK and ICSPDAT low. All other pins should be unpowered.
2. Raise the voltage on $\overline{\text{MCLR}}$ from 0V to V_{IH} .
3. Raise the voltage on VDD from 0V to the desired operating voltage.

The VPP-first entry prevents the device from executing code prior to entering Program/Verify mode. For example, the device will execute code when Configuration Word 1 has $\overline{\text{MCLR}}$ disabled ($\text{MCLRE} = 0$), the Power-up Timer is disabled ($\text{PWRTS} = 0$), the internal oscillator is selected ($\text{FOSC} = 100$), and ICSPCLK and ICSPDAT pins are driven by the user application. Since this may prevent entry, VPP-first entry mode is strongly recommended. See the timing diagram in [Figure 8-2](#).

4.1.2 VDD – FIRST ENTRY MODE

To enter Program/Verify mode via the VDD-first method the following sequence must be followed:

1. Hold ICSPCLK and ICSPDAT low.
2. Raise the voltage on VDD from 0V to the desired operating voltage.
3. Raise the voltage on $\overline{\text{MCLR}}$ from VDD or below to V_{IH} .

The VDD-first method is useful when programming the device when VDD is already applied, for it is not necessary to disconnect VDD to enter Program/Verify mode. See the timing diagram in [Figure 8-1](#).

4.1.3 PROGRAM/VERIFY MODE EXIT

To exit Program/Verify mode take $\overline{\text{MCLR}}$ to VDD or lower (V_{IL}). See [Figures 8-3](#) and [8-4](#).

4.2 Low-Voltage Programming (LVP) Mode

The Low-Voltage Programming mode allows the device to be programmed using VDD only, without high voltage. When the LVP bit of Configuration Word 2 register is set to '1', the low-voltage ICSP programming entry is enabled. To disable the Low-Voltage ICSP mode, the LVP bit must be programmed to '0'. This can only be done while in the High-Voltage Entry mode.

Entry into the Low-Voltage ICSP Program/Verify modes requires the following steps:

1. $\overline{\text{MCLR}}$ is brought to V_{IL} .
2. A 32-bit key sequence is presented on ICSPDAT, while clocking ICSPCLK.

The key sequence is a specific 32-bit pattern, '0100 1101 0100 0011 0100 1000 0101 0000' (more easily remembered as MCHP in ASCII). The device will enter Program/Verify mode only if the sequence is valid. The Least Significant bit of the Least Significant nibble must be shifted in first.

Once the key sequence is complete, $\overline{\text{MCLR}}$ must be held at V_{IL} for as long as Program/Verify mode is to be maintained.

For low-voltage programming timing, see [Figure 8-8](#) and [Figure 8-9](#).

Exiting Program/Verify mode is done by no longer driving $\overline{\text{MCLR}}$ to V_{IL} . See [Figure 8-8](#) and [Figure 8-9](#).

Note: To enter LVP mode, the LSB of the Least Significant nibble must be shifted in first. This differs from entering the key sequence on other parts.

PIC12LF1552

4.3 Program/Verify Commands

The device implements ten programming commands; each six bits in length. The commands are summarized in Table 4-1.

Commands that have data associated with them are specified to have a minimum delay of TDLY between the command and the data. After this delay 16 clocks are required to either clock in or clock out the 14-bit data word. The first clock is for the Start bit and the last clock is for the Stop bit.

TABLE 4-1: COMMAND MAPPING

Command	Mapping		Data/Note
	Binary (MSb ... LSb)	Hex	
Load Configuration	x 0 0 0 0 0	00h	0, data (14), 0
Load Data For Program Memory	x 0 0 0 1 0	02h	0, data (14), 0
Read Data From Program Memory	x 0 0 1 0 0	04h	0, data (14), 0
Increment Address	x 0 0 1 1 0	06h	—
Reset Address	x 1 0 1 1 0	16h	—
Begin Internally Timed Programming	x 0 1 0 0 0	08h	—
Begin Externally Timed Programming	x 1 1 0 0 0	18h	—
End Externally Timed Programming	x 0 1 0 1 0	0Ah	—
Bulk Erase Program Memory	x 0 1 0 0 1	09h	Internally Timed
Row Erase Program Memory	x 1 0 0 0 1	11h	Internally Timed

4.3.1 LOAD CONFIGURATION

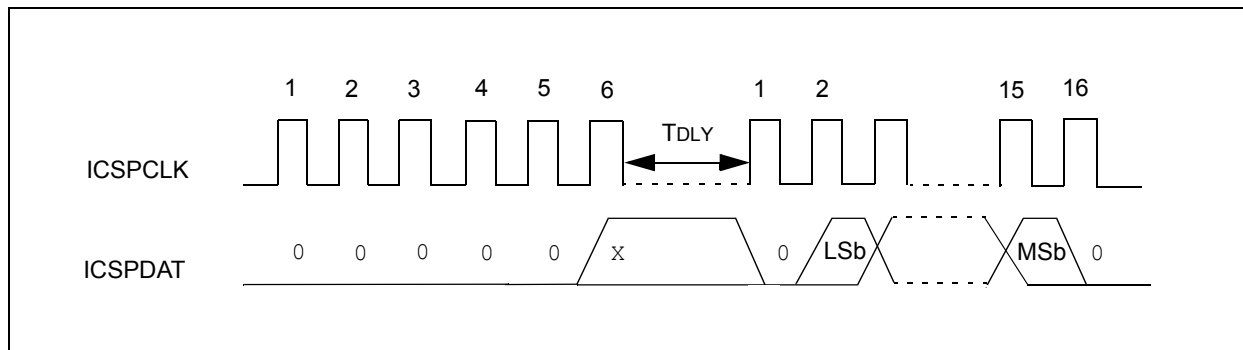
The Load Configuration command is used to access the configuration memory (user ID locations, Configuration Words, Calibration Words). The Load Configuration command sets the address to 8000h and loads the data latches with one word of data (see Figure 4-1).

After issuing the Load Configuration command, use the Increment Address command until the proper address to be programmed is reached. The address is then programmed by issuing either the Begin Internally Timed Programming or Begin Externally Timed Programming command.

Note: Externally timed writes are not supported for Configuration and Calibration bits. Any externally timed write to the Configuration or Calibration Word will have no effect on the targeted word.

The only way to get back to the program memory (address 0) is to exit Program/Verify mode or issue the Reset Address command after the configuration memory has been accessed by the Load Configuration command.

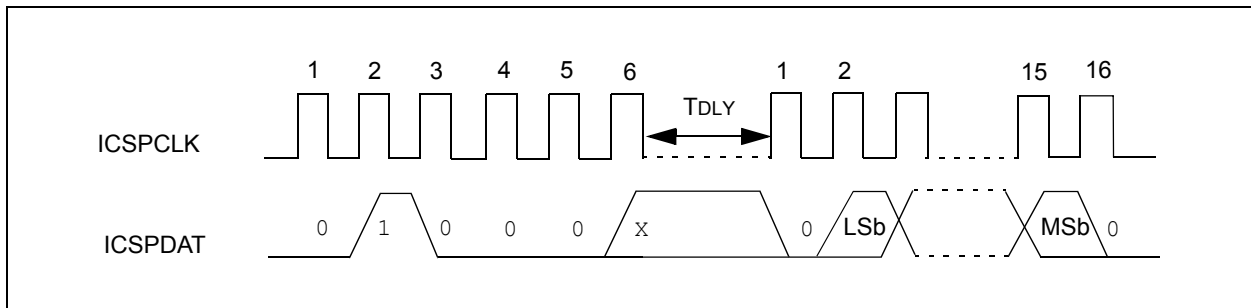
FIGURE 4-1: LOAD CONFIGURATION



4.3.2 LOAD DATA FOR PROGRAM MEMORY

The Load Data for Program Memory command is used to load one 14-bit word into the data latches. The word programs into program memory after the Begin Internally Timed Programming or Begin Externally Timed Programming command is issued (see Figure 4-2).

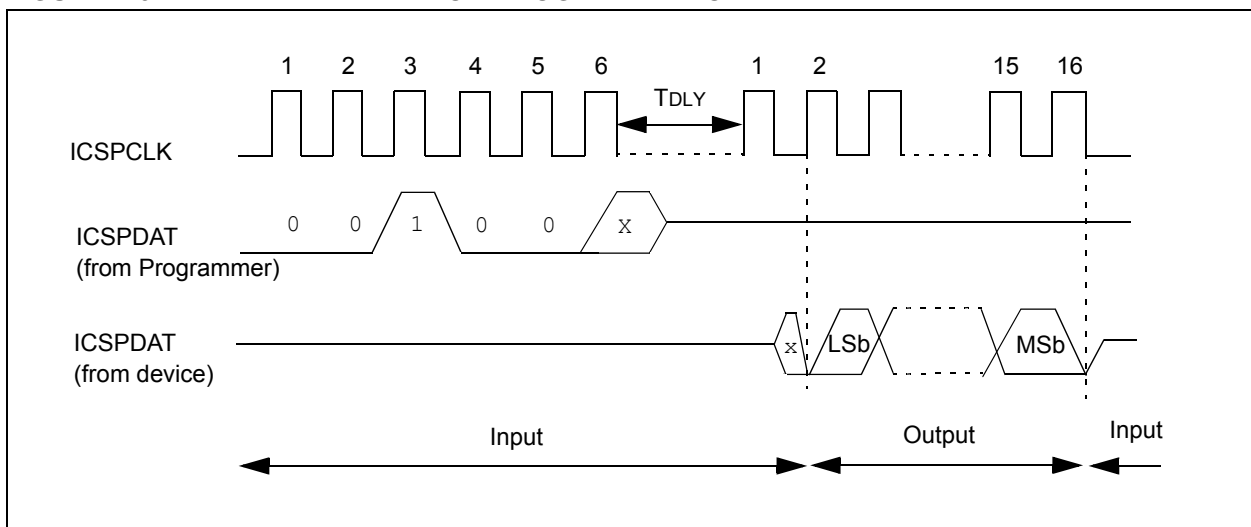
FIGURE 4-2: LOAD DATA FOR PROGRAM MEMORY



4.3.3 READ DATA FROM PROGRAM MEMORY

The Read Data from Program Memory command will transmit data bits out of the program memory map currently accessed, starting with the second rising edge of the clock input. The ICSPDAT pin will go into Output mode on the first falling clock edge, and it will revert to Input mode (high-impedance) after the 16th falling edge of the clock. If the program memory is code-protected (\overline{CP}), the data will be read as zeros (see Figure 4-3).

FIGURE 4-3: READ DATA FROM PROGRAM MEMORY

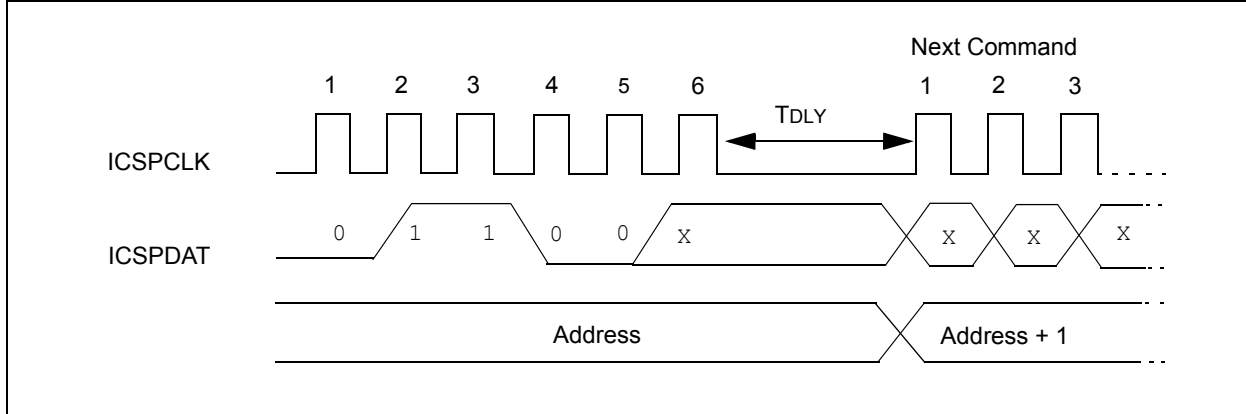


PIC12LF1552

4.3.4 INCREMENT ADDRESS

The address is incremented when this command is received. It is not possible to decrement the address. To reset this counter, the user must use the Reset Address command or exit Program/Verify mode and re-enter it. If the address is incremented from address 7FFFh, it will wrap-around to location 0000h. If the address is incremented from FFFFh, it will wrap-around to location 8000h.

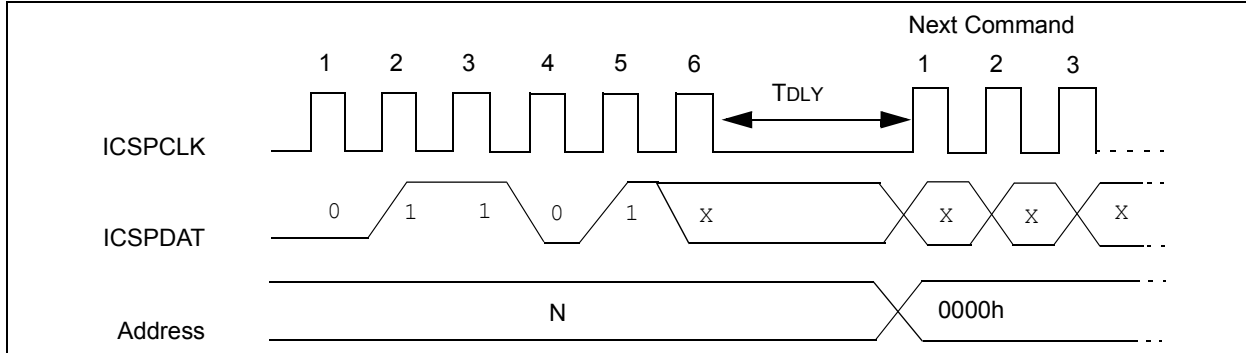
FIGURE 4-4: INCREMENT ADDRESS



4.3.5 RESET ADDRESS

The Reset Address command will reset the address to 0000h, regardless of the current value. The address is used in program memory or the configuration memory.

FIGURE 4-5: RESET ADDRESS



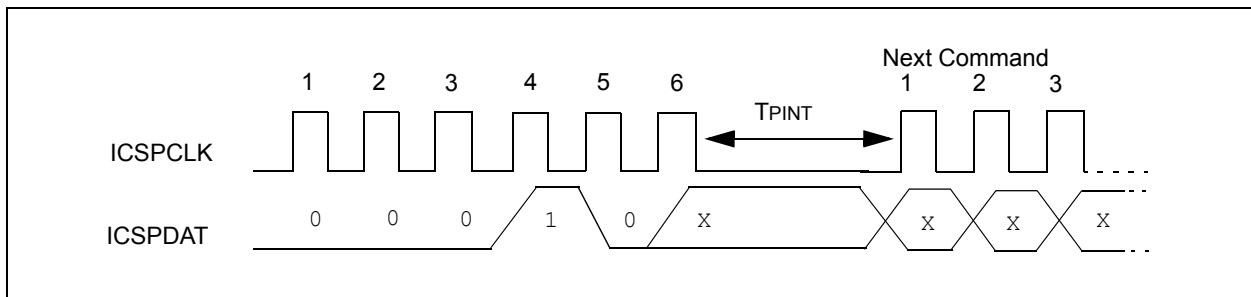
4.3.6 BEGIN INTERNALLY TIMED PROGRAMMING

A Load Configuration or Load Data for Program Memory command must be given before every Begin Programming command. Programming of the addressed memory will begin after this command is received. An internal timing mechanism executes the write. The user must allow for the program cycle time, T_{PINT} , for the programming to complete.

The End Externally Timed Programming command is not needed when the Begin Internally Timed Programming is used to start the programming.

The program memory address that is being programmed is not erased prior to being programmed.

FIGURE 4-6: BEGIN INTERNALLY TIMED PROGRAMMING

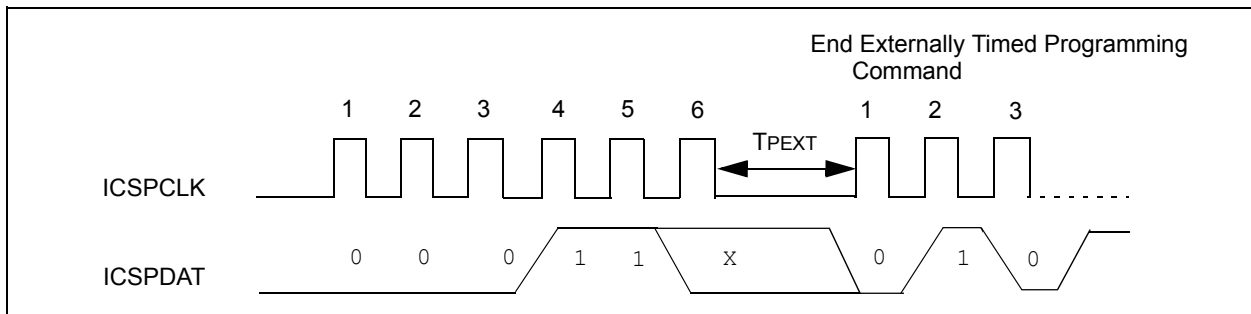


4.3.7 BEGIN EXTERNALLY TIMED PROGRAMMING

A Load Configuration or Load Data for Program Memory command must be given before every Begin Programming command. Programming of the addressed memory will begin after this command is received. To complete the programming, the End Externally Timed Programming command must be sent in the specified time window defined by T_{PEXT} (see [Figure 4-7](#)).

Externally timed writes are not supported for Configuration and Calibration bits. Any externally timed write to the Configuration or Calibration Word will have no effect on the targeted word.

FIGURE 4-7: BEGIN EXTERNALLY TIMED PROGRAMMING



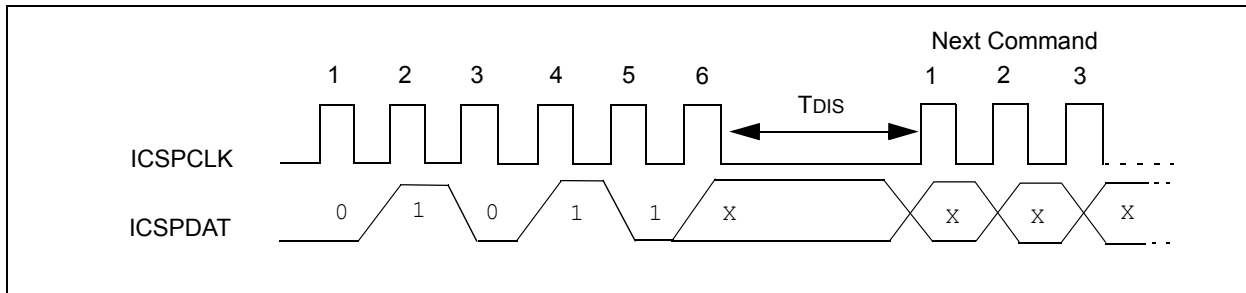
PIC12LF1552

4.3.8 END EXTERNALLY TIMED PROGRAMMING

This command is required after a Begin Externally Timed Programming command is given. This command must be sent within the time window specified by TPEXT, after the Begin Externally Timed Programming command is sent.

After sending the End Externally Timed Programming command, an additional delay (TDIS) is required before sending the next command. This delay is longer than the delay ordinarily required between other commands (see Figure 4-8).

FIGURE 4-8: END EXTERNALLY TIMED PROGRAMMING



4.3.9 BULK ERASE PROGRAM MEMORY

The Bulk Erase Program Memory command performs two different functions dependent on the current state of the address.

Address 0000h-7FFFh:

- Program Memory is erased
- Configuration Words are erased

Address 8000h-8008h:

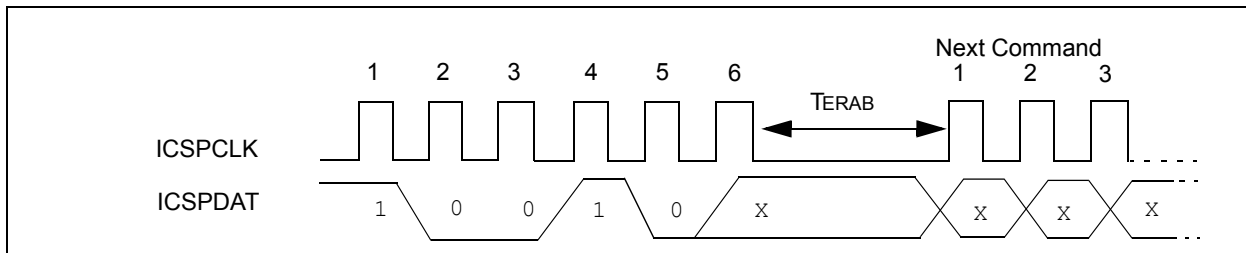
- Program Memory is erased
- Configuration Words are erased
- User ID Locations are erased

A Bulk Erase Program Memory command should not be issued when the address is greater than 8008h.

After receiving the Bulk Erase Program Memory command, the erase will not complete until the time interval, TERAB, has expired.

Note: The code protection Configuration bit (CP) has no effect on the Bulk Erase Program Memory command.

FIGURE 4-9: BULK ERASE PROGRAM MEMORY



4.3.10 ROW ERASE PROGRAM MEMORY

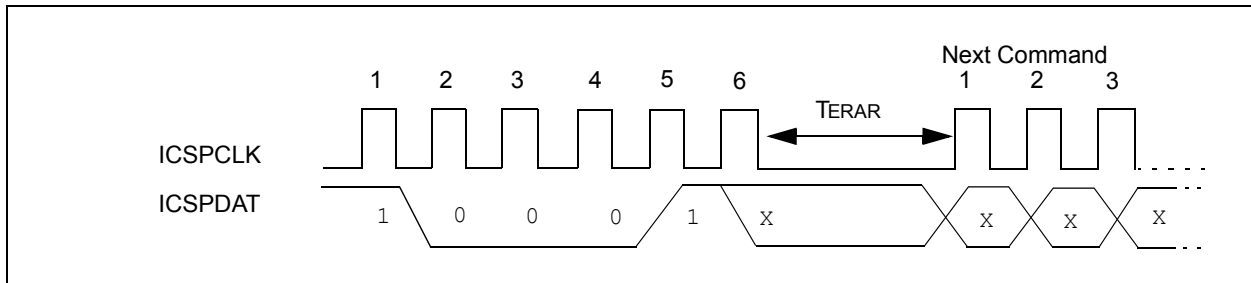
The Row Erase Program Memory command will erase an individual row. Refer to [Table 4-2](#) for row sizes of the device and the PC bits used to address them. If the program memory is code-protected, the Row Erase Program Memory command will be ignored. When the address is 8000h-8008h, the Row Erase Program Memory command will only erase the user ID locations, regardless of the setting of the CP Configuration bit.

After receiving the Row Erase Program Memory command, the erase will not complete until the time interval, TERAR, has expired.

TABLE 4-2: PROGRAMMING ROW SIZE AND LATCHES

Device	PC	Row Size	Number of Latches
PIC12LF1552	<15:4>	16	16

FIGURE 4-10: ROW ERASE PROGRAM MEMORY



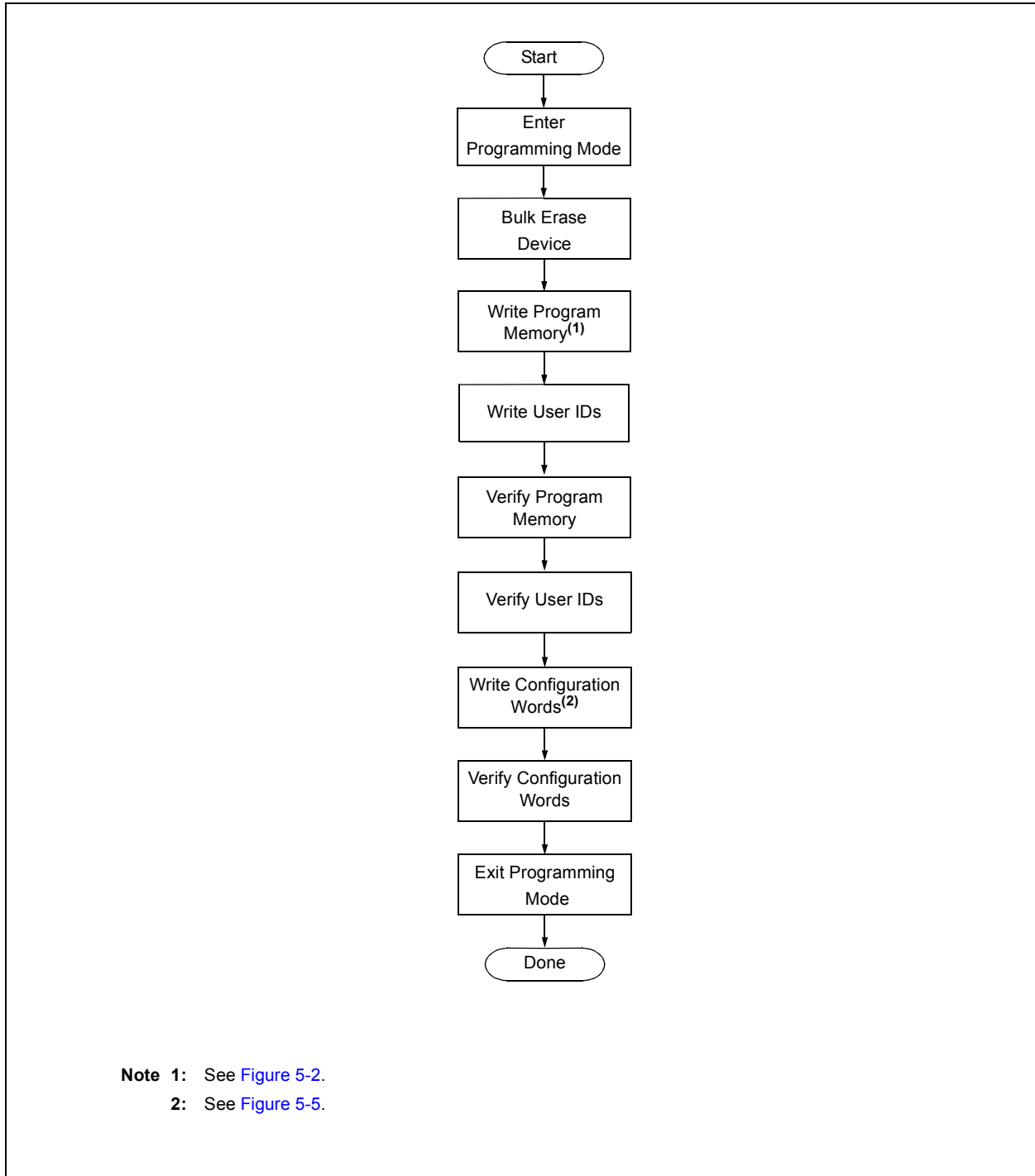
5.0 PROGRAMMING ALGORITHMS

The device uses internal latches to temporarily store the 14-bit words used for programming. Refer to [Table 4-2](#) for specific latch information. The data latches allow the user to write the program words with a single Begin Externally Timed Programming or Begin Internally Timed Programming command. The Load Program Data or the Load Configuration command is used to load a single data latch. The data latch will hold the data until the Begin Externally Timed Programming or Begin Internally Timed Programming command is given.

The data latches are aligned with the LSbs of the address. The PC's address at the time the Begin Externally Timed Programming or Begin Internally Timed Programming command is given will determine which location(s) in memory are written. Writes cannot cross the physical boundary. For example, attempting to write from address 0002h-0009h will result in data being written to 0008h-000Fh.

If more than the maximum number of data latches are written without a Begin Externally Timed Programming or Begin Internally Timed Programming command, the data in the data latches will be overwritten. The following figures show the recommended flowcharts for programming.

FIGURE 5-1: DEVICE PROGRAM/VERIFY FLOWCHART



PIC12LF1552

FIGURE 5-2: PROGRAM MEMORY FLOWCHART

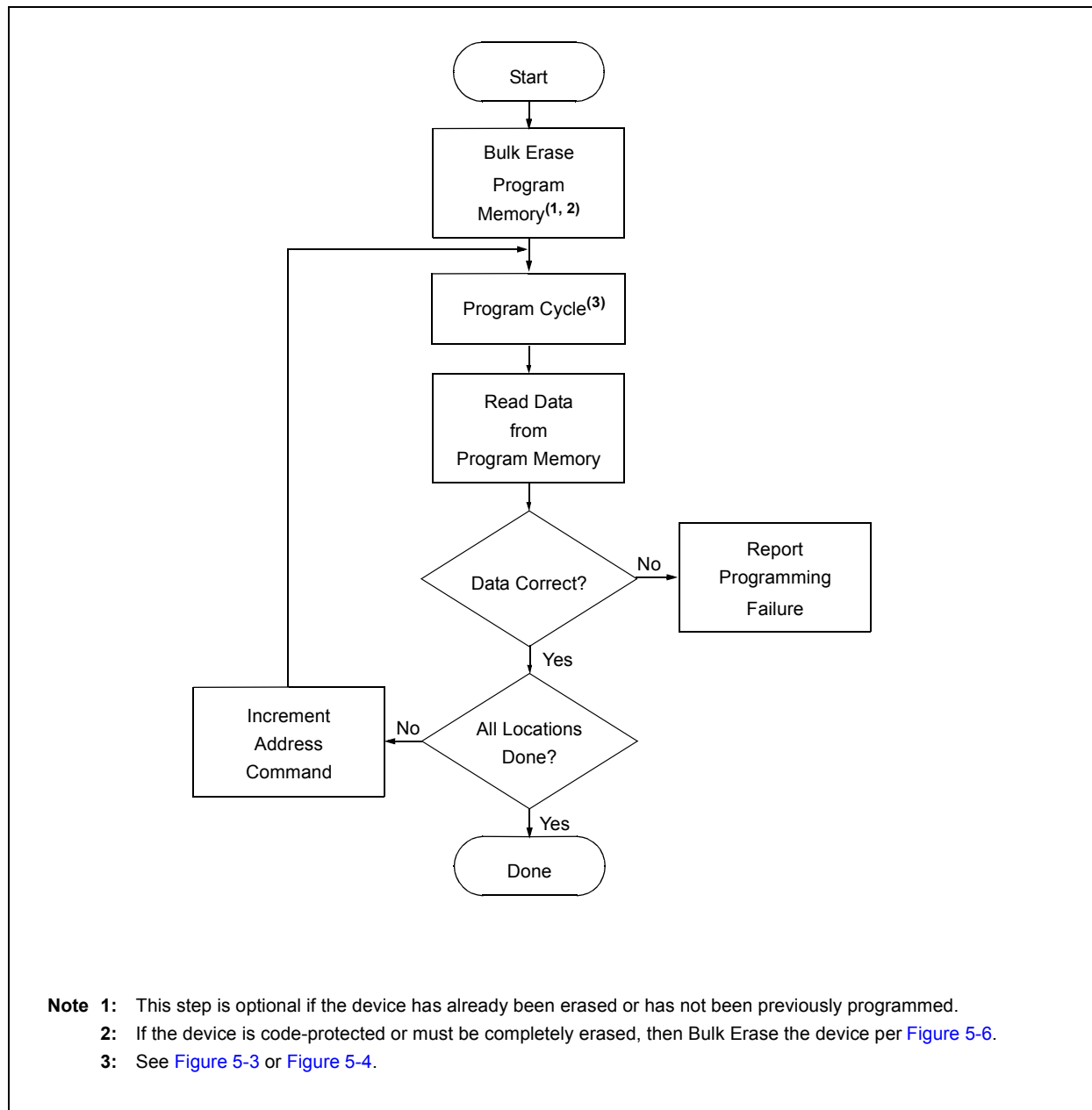
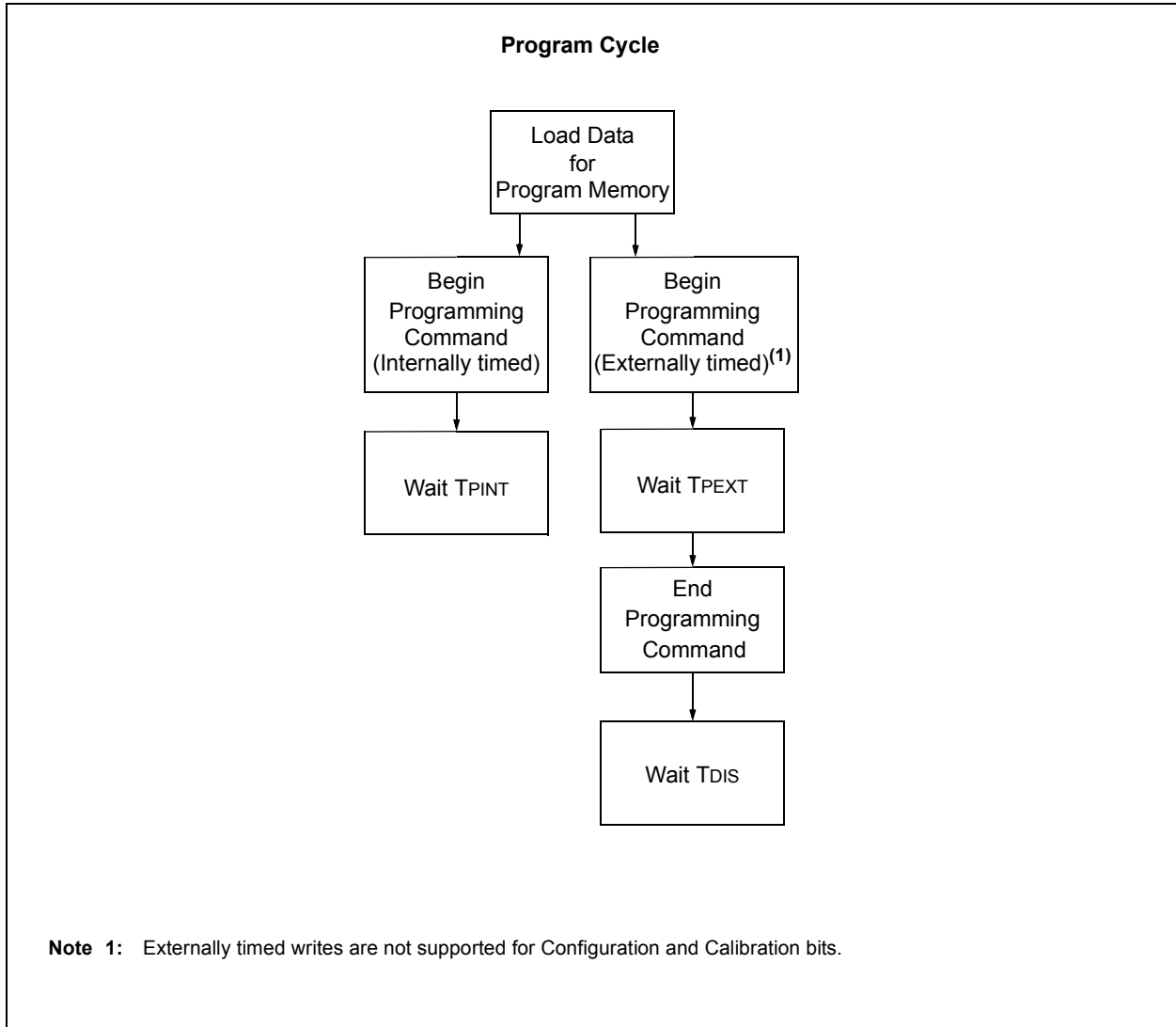


FIGURE 5-3: ONE-WORD PROGRAM CYCLE



PIC12LF1552

FIGURE 5-4: MULTIPLE-WORD PROGRAM CYCLE

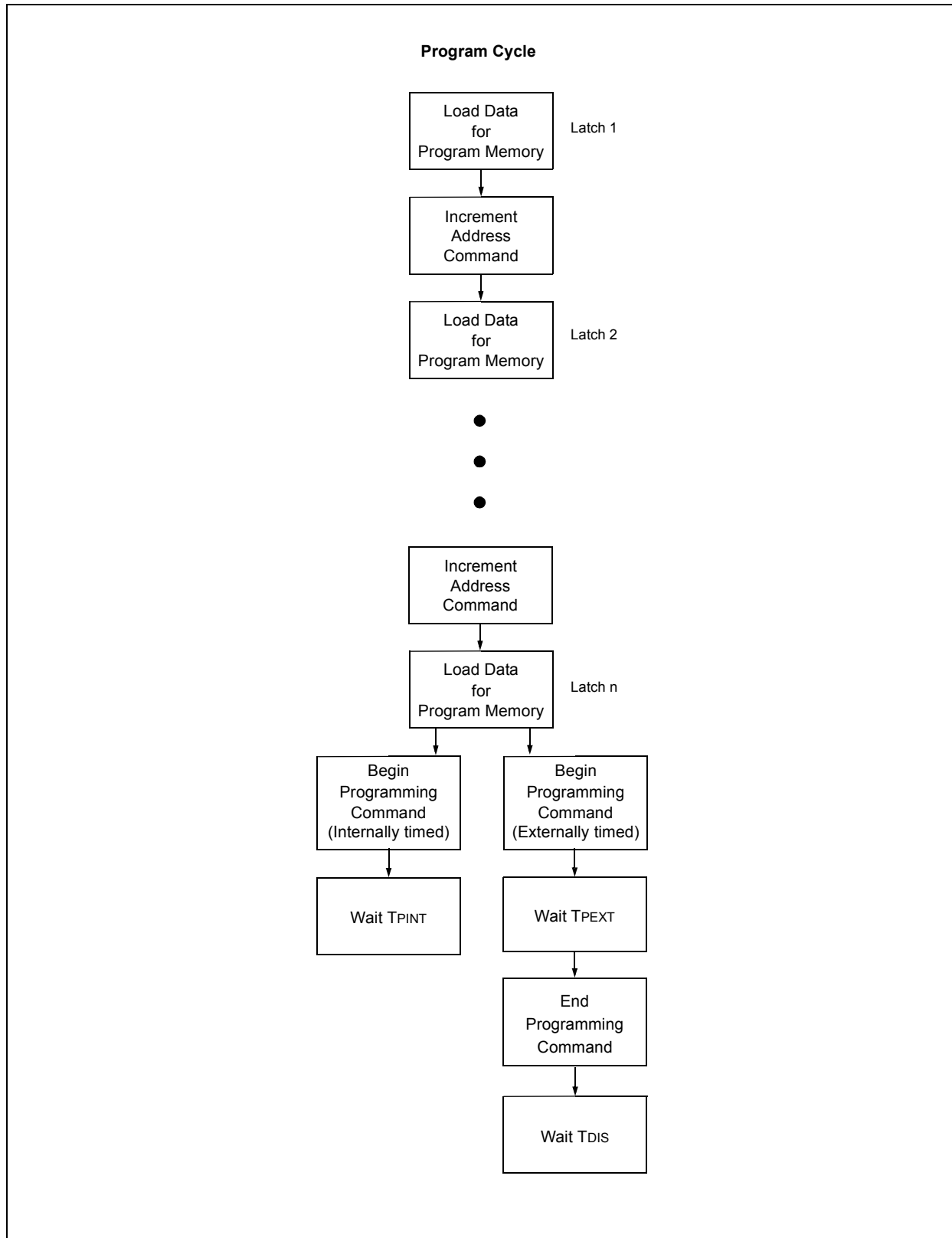
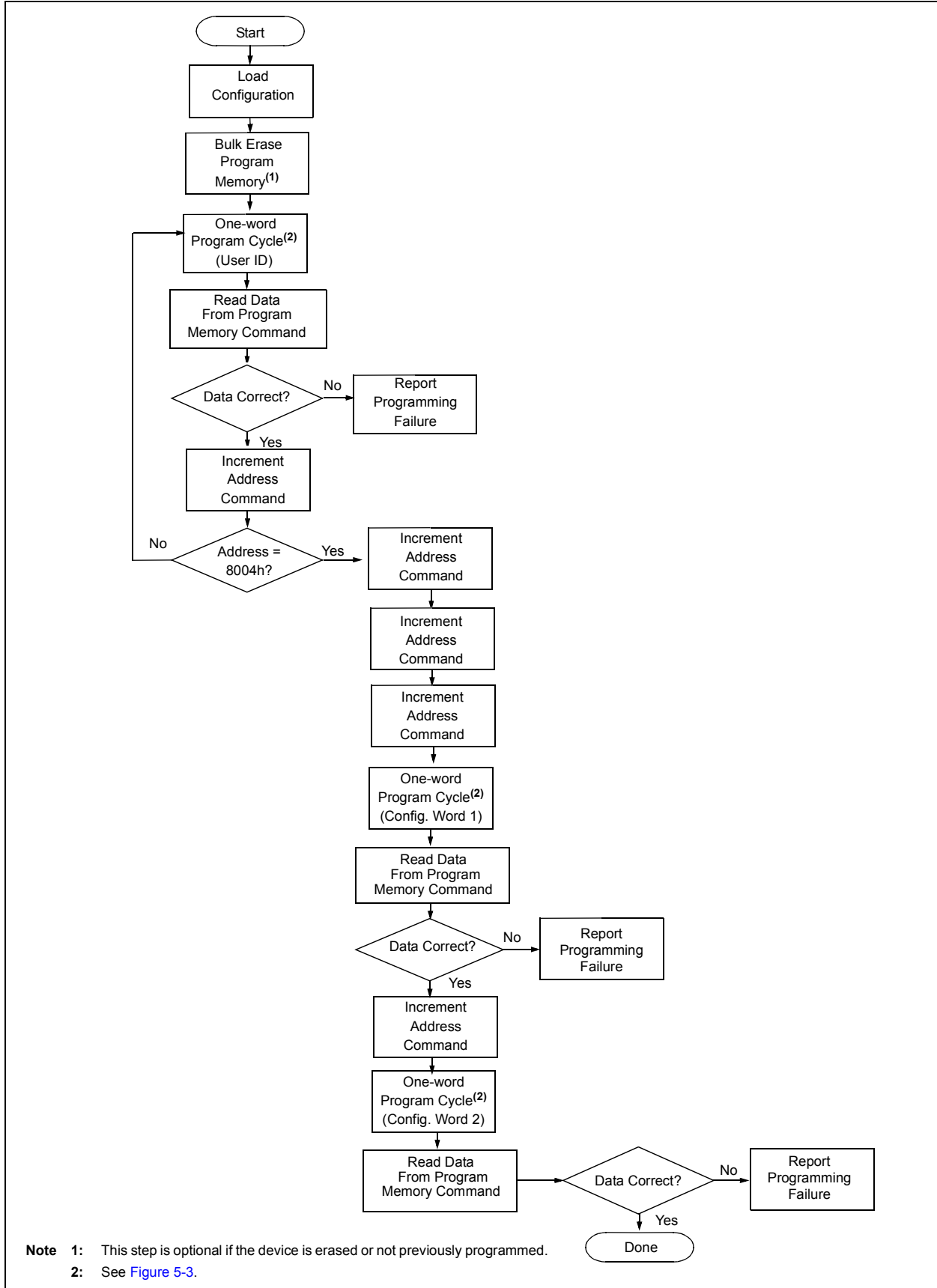
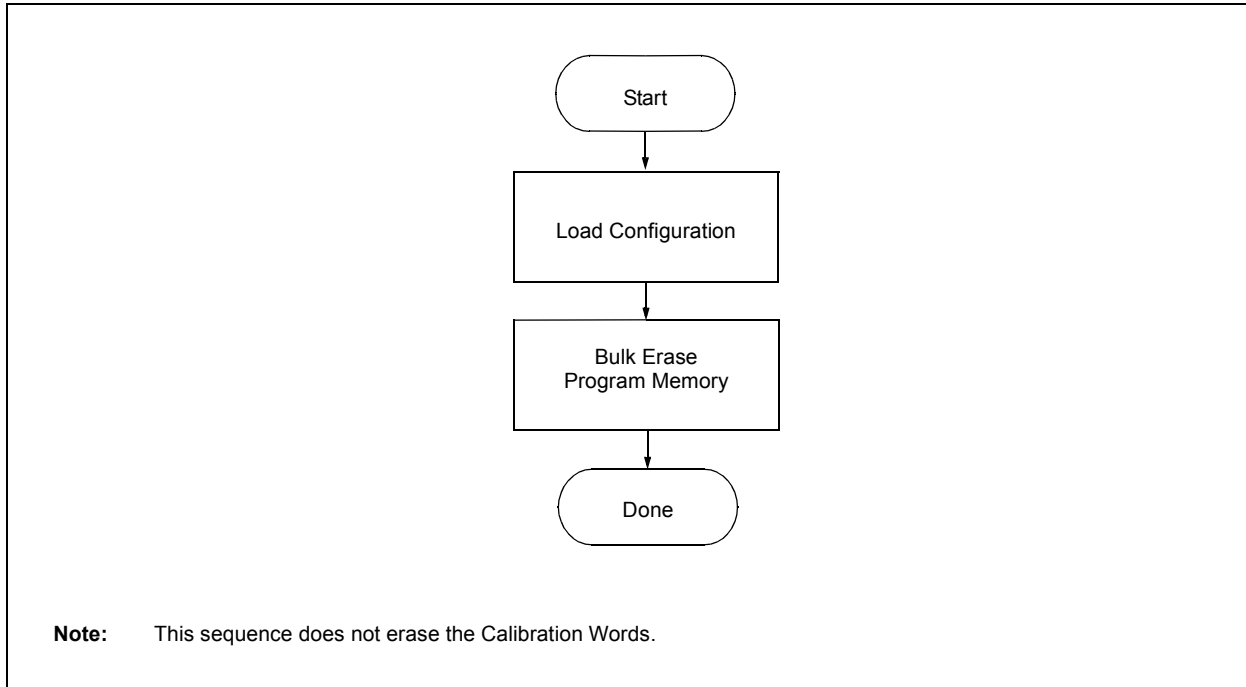


FIGURE 5-5: CONFIGURATION MEMORY PROGRAM FLOWCHART



PIC12LF1552

FIGURE 5-6: ERASE FLOWCHART



6.0 CODE PROTECTION

Code protection is controlled using the \overline{CP} bit in Configuration Word 1. When code protection is enabled, all program memory locations (0000h-7FFFh) read as '0'. Further programming is disabled for the program memory (0000h-7FFFh).

The user ID locations and Configuration Words can be programmed and read out regardless of the code protection settings.

6.1 Program Memory

Code protection is enabled by programming the \overline{CP} bit in Configuration Word 1 register to '0'.

The only way to disable code protection is to use the Bulk Erase Program Memory command.

7.0 HEX FILE USAGE

In the hex file there are two bytes per program word stored in the Intel[®] INHX32 hex format. Data is stored LSB first, MSB second. Because there are two bytes per word, the addresses in the hex file are 2x the address in program memory. (Example: Configuration Word 1 is stored at 8007h. In the hex file this will be referenced as 1000Eh-1000Fh).

7.1 Configuration Word

To allow portability of code, it is strongly recommended that the programmer is able to read the Configuration Words and user ID locations from the hex file. If the Configuration Words information was not present in the hex file, a simple warning message may be issued. Similarly, while saving a hex file, Configuration Words and user ID information should be included.

7.2 Device ID and Revision

If a device ID is present in the hex file at 1000Ch-1000Dh (8006h on the part), the programmer should verify the device ID (excluding the revision) against the value read from the part. On a mismatch condition the programmer should generate a warning message.

PIC12LF1552

7.3 Checksum Computation

The checksum is calculated by two different methods dependent on the setting of the \overline{CP} Configuration bit.

TABLE 7-1: CONFIGURATION WORD MASK VALUES

Device	Config. Word 1 Mask	Config. Word 2 Mask
PIC12LF1552	0EFBh	2E03h

7.3.1 PROGRAM CODE PROTECTION DISABLED

With the program code protection disabled, the checksum is computed by reading the contents of the program memory locations and adding up the program memory data starting at address 0000h, up to the maximum user addressable location. Any Carry bit exceeding 16 bits are ignored. Additionally, the relevant bits of the Configuration Words are added to the checksum. All unimplemented Configuration bits are masked to '0'.

EXAMPLE 7-1: CHECKSUM COMPUTED WITH PROGRAM CODE PROTECTION DISABLED (CP = 1), PIC12LF1552, 00AAh AT FIRST AND LAST ADDRESS

PIC12LF1552	Sum of Memory addresses 0000h-07FFh	7956h ⁽¹⁾
	Configuration Word 1	3FFFh ⁽²⁾
	Configuration Word 1 mask	0EFBh ⁽³⁾
	Configuration Word 2	3FFFh ⁽⁴⁾
	Configuration Word 2 mask	2E03h ⁽⁵⁾
	Checksum = 7956h + (3FFFh and 0EFBh) + (3FFFh and 2E03h) ⁽⁶⁾	
	= 7956h + 0EFBh + 2E03h	
	= B654h	

Note 1: This value is obtained by taking the total number of program memory locations (0x000 to 0x7FFh which is 800h) subtracting 2h which yields 7FEh, then multiplying it by the blank memory value of 0x3FFF to get the sum of 1FF 7802h. Then, truncate to 16 bits the value of 7802h. Now add 00AAh (00AAh + 00AAh) to 7802h to get the final value of B654h.

2: This value is obtained by making all bits of the Configuration Word 1 a '1', then converting it to hex, thus having a value of 3FFFh.

3: This value is obtained by making all used bits of the Configuration Word 1 a '1', then converting it to hex, thus having a value of 0EFBh.

4: This value is obtained by making all bits of the Configuration Word 2 a '1', then converting it to hex, thus having a value of 3FFFh.

5: This value is obtained by making all used bits of the Configuration Word 2 a '1', then converting it to hex, thus having a value of 2E03h.

6: This value is obtained by ANDing the Configuration Word value with the Configuration Word Mask Value and adding it to the sum of memory addresses: (3FFFh and 0EFBh) + (3FFFh and 2E03h) + 7956h = B654h. Then, truncate to 16 bits, thus having a final value of B654h.

7.3.2 PROGRAM CODE PROTECTION ENABLED

With the program code protection enabled, the checksum is computed in the following manner: The Least Significant nibble of each user ID is used to create a 16-bit value. The masked value of user ID location 8000h is the Most Significant nibble. This sum of user IDs is summed with the Configuration Words (all unimplemented Configuration bits are masked to '0').

EXAMPLE 7-2: CHECKSUM COMPUTED WITH PROGRAM CODE PROTECTION ENABLED (CP = 0), PIC12LF1552, 00AAh AT FIRST AND LAST ADDRESS

PIC12LF1552	Configuration Word 1	3F7Fh ⁽¹⁾
	Configuration Word 1 mask	0E7Bh ⁽²⁾
	Configuration Word 2	3FFFh ⁽³⁾
	Configuration Word 2 mask	2E03h ⁽⁴⁾
	User ID (8000h)	000Eh ⁽⁵⁾
	User ID (8001h)	0008h ⁽⁵⁾
	User ID (8002h)	0005h ⁽⁵⁾
	User ID (8003h)	0008h ⁽⁵⁾
	Sum of User IDs	= (000Eh and 000Fh) << 12 + (0008h and 000Fh) << 8 + (0005h and 000Fh) << 4 + (0008h and 000Fh) ⁽⁶⁾ = E000h + 0800h + 0050h + 0008h = E858h
	Checksum	= (3F7Fh and 0E7Bh) + (3FFFh and 2E03h) + Sum of User IDs ⁽⁷⁾ = 0E7Bh + 2E03h + E858h = 24D6h

Note 1: This value is obtained by making all bits of the Configuration Word 1 a '1', but the code-protect bit is '0' (thus, enabled), then converting it to hex, thus having a value of 3F7Fh.

2: This value is obtained by making all used bits of the Configuration Word 1 a '1', but the code-protect bit is '0' (thus, enabled), then converting it to hex, thus having a value of 0E7Bh.

3: This value is obtained by making all bits of the Configuration Word 2 a '1', then converting it to hex, thus having a value of 3FFFh.

4: This value is obtained by making all used bits of the Configuration Word 2 a '1', then converting it to hex, thus having a value of 2E03h.

5: These values are picked at random for this example; they could be any 16-bit value.

6: In order to calculate the sum of user IDs, take the 16-bit value of the first user ID location (000Eh), AND the address to (000Fh), thus masking the MSB. This gives you the value 000Eh, then shift left 12 bits, giving you E000h. Do the same procedure for the 16-bit value of the second user ID location (0008h), except shift left 8 bits. Also, do the same for the third user ID location (0005h), except shift left 4 bits. For the fourth user ID location do not shift. Finally, add up all four user ID values to get the final sum of user IDs of E858h.

7: This value is obtained by ANDing the Configuration Word value with the Configuration Word Mask Value and adding it to the sum of user IDs: (3F7Fh AND 0E7Bh) + (3FFFh AND 2E03h) + E858h = 24D6h.

PIC12LF1552

8.0 ELECTRICAL SPECIFICATIONS

Refer to the device specific data sheet for absolute maximum ratings.

TABLE 8-1: AC/DC CHARACTERISTICS TIMING REQUIREMENTS FOR PROGRAM/VERIFY MODE

AC/DC CHARACTERISTICS		Standard Operating Conditions Production tested at 25°C				
Sym.	Characteristics	Min.	Typ.	Max.	Units	Conditions/Comments
Supply Voltages and Currents						
VDD	VDD					
	Read/Write and Row Erase operations	VDDMIN	—	VDDMAX	V	
	Bulk Erase operations	2.7	—	VDDMAX	V	
IDDI	Current on VDD, Idle	—	—	1.0	mA	
IDDP	Current on VDD, Programming	—	—	3.0	mA	
IPP	VPP					
	Current on MCLR/VPP	—	—	600	μA	
	High voltage on MCLR/VPP for Program/Verify mode entry	8.0	—	9.0	V	
TVHHR	MCLR rise time (VIL to VIH) for Program/Verify mode entry	—	—	1.0	μs	
I/O pins						
VIH	(ICSPCLK, ICSPDAT, MCLR/VPP) input high level	0.8 VDD	—	—	V	
VIL	(ICSPCLK, ICSPDAT, MCLR/VPP) input low level	—	—	0.2 VDD	V	
VOH	ICSPDAT output high level	VDD-0.7	—	—	V	IOH = 3.5 mA, VDD = 5V IOH = 3 mA, VDD = 3.3V IOH = 2 mA, VDD = 1.8V
VOL	ICSPDAT output low level	—	—	0.6	V	IOH = 8 mA, VDD = 5V IOH = 6 mA, VDD = 3.3V IOH = 3 mA, VDD = 1.8V
Programming Mode Entry and Exit						
TENTS	Programing mode entry setup time: ICSPCLK, ICSPDAT setup time before VDD or MCLR↑	100	—	—	ns	
TENTH	Programing mode entry hold time: ICSPCLK, ICSPDAT hold time after VDD or MCLR↑	250	—	—	μs	
Serial Program/Verify						
TCKL	Clock Low Pulse Width	100	—	—	ns	
TCKH	Clock High Pulse Width	100	—	—	ns	
TDS	Data in setup time before clock↓	100	—	—	ns	
TDH	Data in hold time after clock↓	100	—	—	ns	
Tco	Clock↑ to data out valid (during a Read Data command)	0	—	80	ns	
TLZD	Clock↓ to data low-impedance (during a Read Data command)	0	—	80	ns	
THZD	Clock↓ to data high-impedance (during a Read Data command)	0	—	80	ns	
TDLY	Data input not driven to next clock input (delay required between command/data or command/command)	1.0	—	—	μs	
TERAB	Bulk Erase cycle time	—	—	5	ms	
TERAR	Row Erase cycle time	—	—	2.5	ms	
TPINT	Internally timed programming operation time	—	—	2.5	ms	Program memory Configuration Words
		—	—	5	ms	
TPEXT	Externally timed programming pulse	1.0	—	2.1	ms	Note 1
TDIS	Time delay from program to compare (HV discharge time)	300	—	—	μs	
TEXT	Time delay when exiting Program/Verify mode	1	—	—	μs	

Note 1: Externally timed writes are not supported for Configuration and Calibration bits.

8.1 AC Timing Diagrams

FIGURE 8-1: PROGRAMMING MODE ENTRY – V_{DD} FIRST

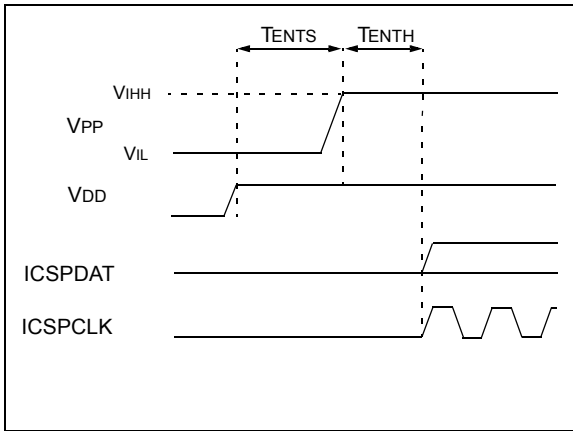


FIGURE 8-2: PROGRAMMING MODE ENTRY – V_{PP} FIRST

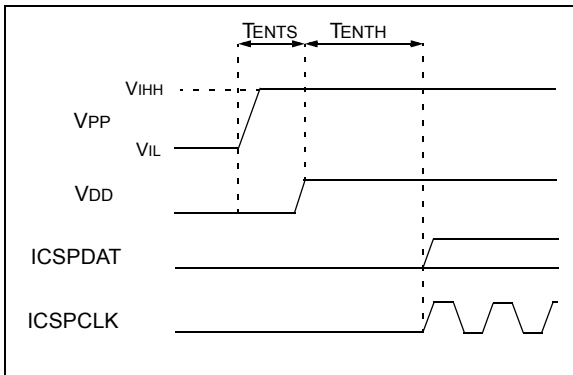


FIGURE 8-3: PROGRAMMING MODE EXIT – V_{PP} LAST

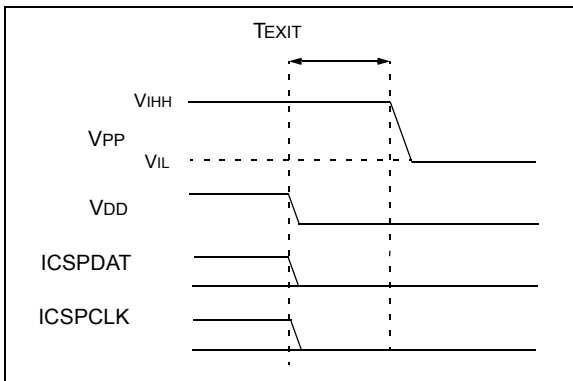


FIGURE 8-4: PROGRAMMING MODE EXIT – V_{DD} LAST

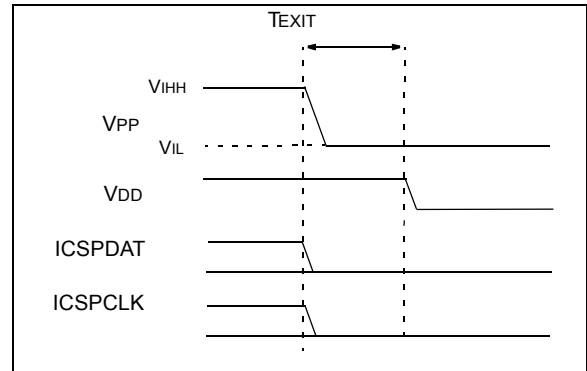
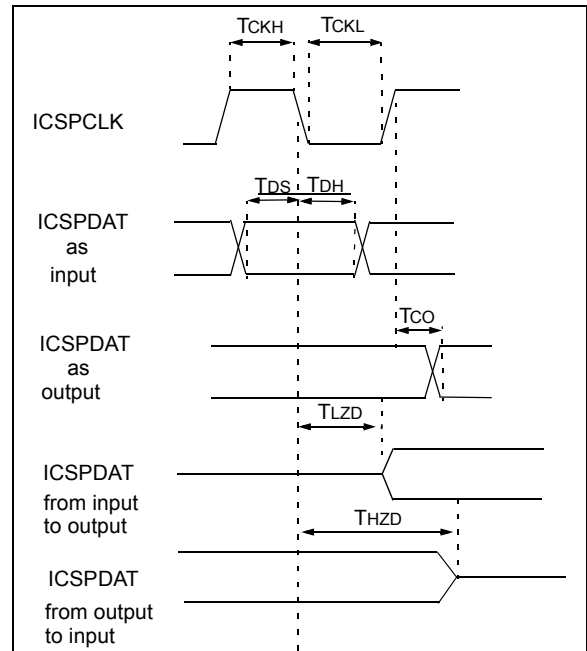


FIGURE 8-5: CLOCK AND DATA TIMING



PIC12LF1552

FIGURE 8-6: WRITE COMMAND-PAYLOAD TIMING

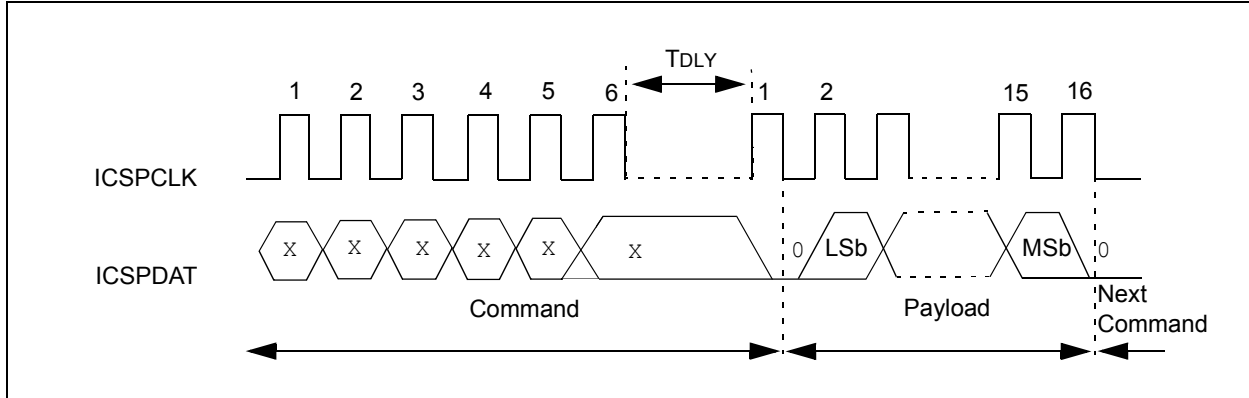


FIGURE 8-7: READ COMMAND-PAYLOAD TIMING

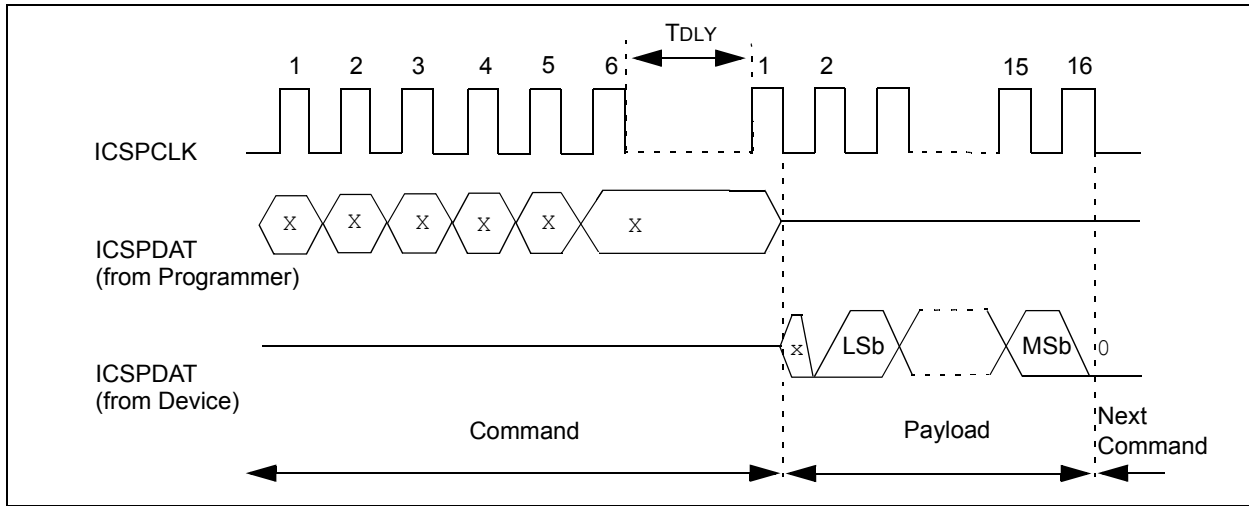


FIGURE 8-8: LVP ENTRY (POWERED)

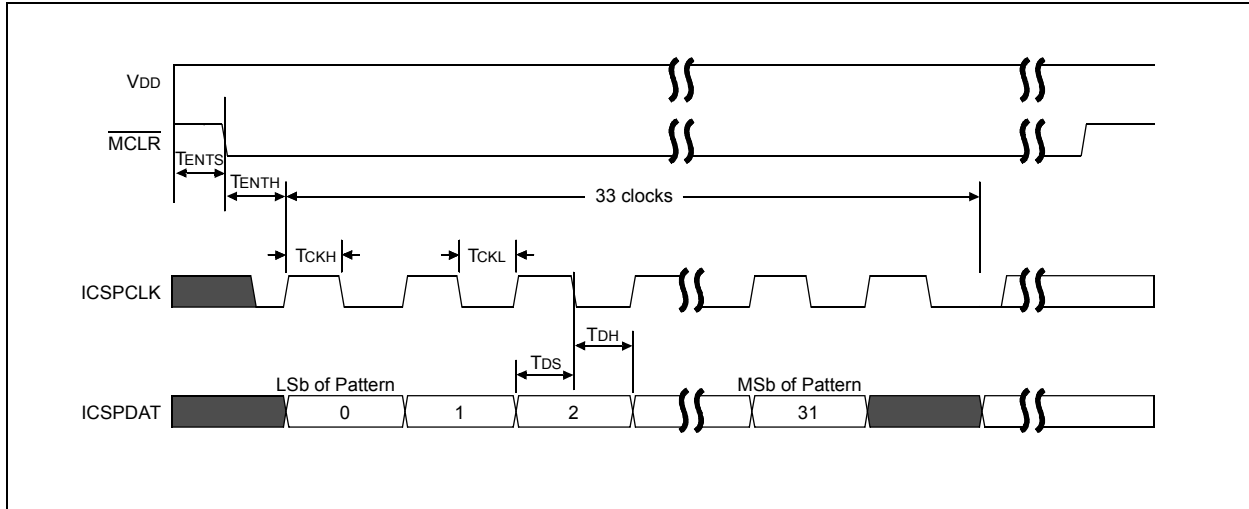
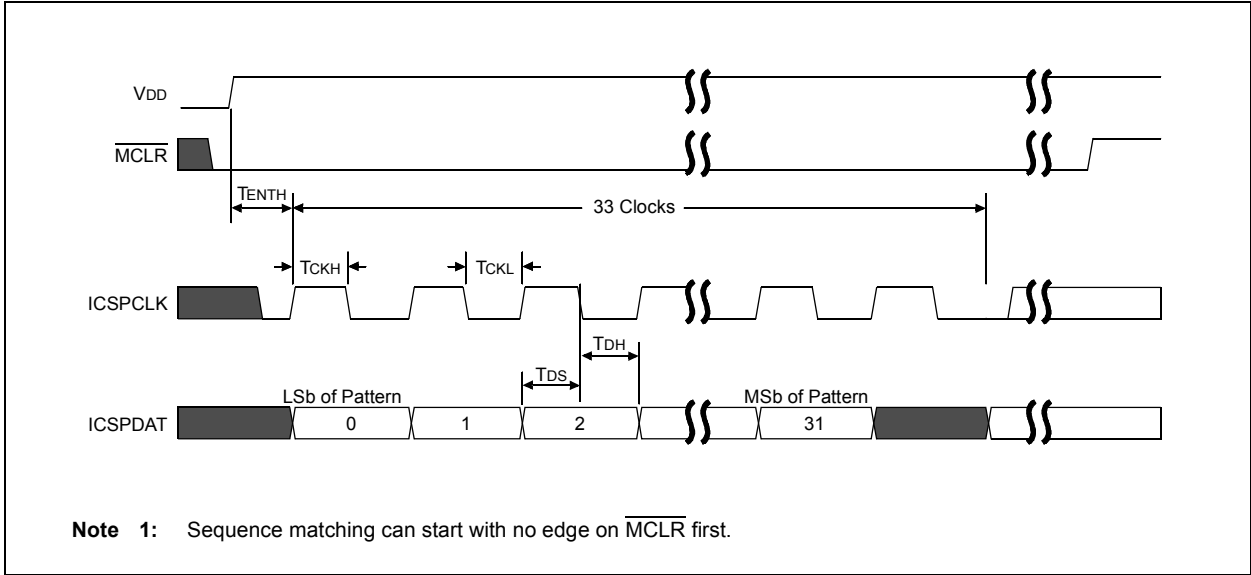


FIGURE 8-9: LVP ENTRY (POWERING UP)



PIC12LF1552

APPENDIX A: REVISION HISTORY

Revision A (06/2012)

Initial release of this document.

Note the following details of the code protection feature on Microchip devices:

- Microchip products meet the specification contained in their particular Microchip Data Sheet.
- Microchip believes that its family of products is one of the most secure families of its kind on the market today, when used in the intended manner and under normal conditions.
- There are dishonest and possibly illegal methods used to breach the code protection feature. All of these methods, to our knowledge, require using the Microchip products in a manner outside the operating specifications contained in Microchip's Data Sheets. Most likely, the person doing so is engaged in theft of intellectual property.
- Microchip is willing to work with the customer who is concerned about the integrity of their code.
- Neither Microchip nor any other semiconductor manufacturer can guarantee the security of their code. Code protection does not mean that we are guaranteeing the product as “unbreakable.”

Code protection is constantly evolving. We at Microchip are committed to continuously improving the code protection features of our products. Attempts to break Microchip's code protection feature may be a violation of the Digital Millennium Copyright Act. If such acts allow unauthorized access to your software or other copyrighted work, you may have a right to sue for relief under that Act.

Information contained in this publication regarding device applications and the like is provided only for your convenience and may be superseded by updates. It is your responsibility to ensure that your application meets with your specifications. MICROCHIP MAKES NO REPRESENTATIONS OR WARRANTIES OF ANY KIND WHETHER EXPRESS OR IMPLIED, WRITTEN OR ORAL, STATUTORY OR OTHERWISE, RELATED TO THE INFORMATION, INCLUDING BUT NOT LIMITED TO ITS CONDITION, QUALITY, PERFORMANCE, MERCHANTABILITY OR FITNESS FOR PURPOSE. Microchip disclaims all liability arising from this information and its use. Use of Microchip devices in life support and/or safety applications is entirely at the buyer's risk, and the buyer agrees to defend, indemnify and hold harmless Microchip from any and all damages, claims, suits, or expenses resulting from such use. No licenses are conveyed, implicitly or otherwise, under any Microchip intellectual property rights.

Trademarks

The Microchip name and logo, the Microchip logo, dsPIC, KEELOQ, KEELOQ logo, MPLAB, PIC, PICmicro, PICSTART, PIC³² logo, rPIC and UNI/O are registered trademarks of Microchip Technology Incorporated in the U.S.A. and other countries.


FilterLab, Hampshire, HI-TECH C, Linear Active Thermistor, MXDEV, MXLAB, SEEVAL and The Embedded Control Solutions Company are registered trademarks of Microchip Technology Incorporated in the U.S.A.

Analog-for-the-Digital Age, Application Maestro, chipKIT, chipKIT logo, CodeGuard, dsPICDEM, dsPICDEM.net, dsPICworks, dsSPEAK, ECAN, ECONOMONITOR, FanSense, HI-TIDE, In-Circuit Serial Programming, ICSP, Mindi, MiWi, MPASM, MPLAB Certified logo, MPLIB, MPLINK, mTouch, Omniscient Code Generation, PICC, PICC-18, PICDEM, PICDEM.net, PICKit, PICtail, REAL ICE, rLAB, Select Mode, Total Endurance, TSHARC, UniWinDriver, WiperLock and ZENA are trademarks of Microchip Technology Incorporated in the U.S.A. and other countries.

SQTP is a service mark of Microchip Technology Incorporated in the U.S.A.

All other trademarks mentioned herein are property of their respective companies.

© 2012, Microchip Technology Incorporated, Printed in the U.S.A., All Rights Reserved.

 Printed on recycled paper.

ISBN: 9781620763674

QUALITY MANAGEMENT SYSTEM
CERTIFIED BY DNV
== ISO/TS 16949 ==

Microchip received ISO/TS-16949:2009 certification for its worldwide headquarters, design and wafer fabrication facilities in Chandler and Tempe, Arizona; Gresham, Oregon and design centers in California and India. The Company's quality system processes and procedures are for its PIC[®] MCUs and dsPIC[®] DSCs, KEELOQ[®] code hopping devices, Serial EEPROMs, microperipherals, nonvolatile memory and analog products. In addition, Microchip's quality system for the design and manufacture of development systems is ISO 9001:2000 certified.



MICROCHIP

Worldwide Sales and Service

AMERICAS

Corporate Office
2355 West Chandler Blvd.
Chandler, AZ 85224-6199
Tel: 480-792-7200
Fax: 480-792-7277
Technical Support:
<http://www.microchip.com/support>
Web Address:
www.microchip.com

Atlanta
Duluth, GA
Tel: 678-957-9614
Fax: 678-957-1455

Boston
Westborough, MA
Tel: 774-760-0087
Fax: 774-760-0088

Chicago
Itasca, IL
Tel: 630-285-0071
Fax: 630-285-0075

Cleveland
Independence, OH
Tel: 216-447-0464
Fax: 216-447-0643

Dallas
Addison, TX
Tel: 972-818-7423
Fax: 972-818-2924

Detroit
Farmington Hills, MI
Tel: 248-538-2250
Fax: 248-538-2260

Indianapolis
Noblesville, IN
Tel: 317-773-8323
Fax: 317-773-5453

Los Angeles
Mission Viejo, CA
Tel: 949-462-9523
Fax: 949-462-9608

Santa Clara
Santa Clara, CA
Tel: 408-961-6444
Fax: 408-961-6445

Toronto
Mississauga, Ontario,
Canada
Tel: 905-673-0699
Fax: 905-673-6509

ASIA/PACIFIC

Asia Pacific Office
Suites 3707-14, 37th Floor
Tower 6, The Gateway
Harbour City, Kowloon
Hong Kong
Tel: 852-2401-1200
Fax: 852-2401-3431

Australia - Sydney
Tel: 61-2-9868-6733
Fax: 61-2-9868-6755

China - Beijing
Tel: 86-10-8569-7000
Fax: 86-10-8528-2104

China - Chengdu
Tel: 86-28-8665-5511
Fax: 86-28-8665-7889

China - Chongqing
Tel: 86-23-8980-9588
Fax: 86-23-8980-9500

China - Hangzhou
Tel: 86-571-2819-3187
Fax: 86-571-2819-3189

China - Hong Kong SAR
Tel: 852-2401-1200
Fax: 852-2401-3431

China - Nanjing
Tel: 86-25-8473-2460
Fax: 86-25-8473-2470

China - Qingdao
Tel: 86-532-8502-7355
Fax: 86-532-8502-7205

China - Shanghai
Tel: 86-21-5407-5533
Fax: 86-21-5407-5066

China - Shenyang
Tel: 86-24-2334-2829
Fax: 86-24-2334-2393

China - Shenzhen
Tel: 86-755-8203-2660
Fax: 86-755-8203-1760

China - Wuhan
Tel: 86-27-5980-5300
Fax: 86-27-5980-5118

China - Xian
Tel: 86-29-8833-7252
Fax: 86-29-8833-7256

China - Xiamen
Tel: 86-592-2388138
Fax: 86-592-2388130

China - Zhuhai
Tel: 86-756-3210040
Fax: 86-756-3210049

ASIA/PACIFIC

India - Bangalore
Tel: 91-80-3090-4444
Fax: 91-80-3090-4123

India - New Delhi
Tel: 91-11-4160-8631
Fax: 91-11-4160-8632

India - Pune
Tel: 91-20-2566-1512
Fax: 91-20-2566-1513

Japan - Osaka
Tel: 81-66-152-7160
Fax: 81-66-152-9310

Japan - Yokohama
Tel: 81-45-471-6166
Fax: 81-45-471-6122

Korea - Daegu
Tel: 82-53-744-4301
Fax: 82-53-744-4302

Korea - Seoul
Tel: 82-2-554-7200
Fax: 82-2-558-5932 or
82-2-558-5934

Malaysia - Kuala Lumpur
Tel: 60-3-6201-9857
Fax: 60-3-6201-9859

Malaysia - Penang
Tel: 60-4-227-8870
Fax: 60-4-227-4068

Philippines - Manila
Tel: 63-2-634-9065
Fax: 63-2-634-9069

Singapore
Tel: 65-6334-8870
Fax: 65-6334-8850

Taiwan - Hsin Chu
Tel: 886-3-5778-366
Fax: 886-3-5770-955

Taiwan - Kaohsiung
Tel: 886-7-536-4818
Fax: 886-7-330-9305

Taiwan - Taipei
Tel: 886-2-2500-6610
Fax: 886-2-2508-0102

Thailand - Bangkok
Tel: 66-2-694-1351
Fax: 66-2-694-1350

EUROPE

Austria - Wels
Tel: 43-7242-2244-39
Fax: 43-7242-2244-393

Denmark - Copenhagen
Tel: 45-4450-2828
Fax: 45-4485-2829

France - Paris
Tel: 33-1-69-53-63-20
Fax: 33-1-69-30-90-79

Germany - Munich
Tel: 49-89-627-144-0
Fax: 49-89-627-144-44

Italy - Milan
Tel: 39-0331-742611
Fax: 39-0331-466781

Netherlands - Drunen
Tel: 31-416-690399
Fax: 31-416-690340

Spain - Madrid
Tel: 34-91-708-08-90
Fax: 34-91-708-08-91

UK - Wokingham
Tel: 44-118-921-5869
Fax: 44-118-921-5820

11/29/11