

Würth Elektronik eiSos GmbH & Co. KG

EMC & Inductive Solutions

Max-Eyth-Straße 1 · 74638 Waldenburg · Germany

Tel. +49 (0) 79 42 945-0 · Fax +49 (0) 79 42 945-400

eiSos@we-online.de · www.we-online.de



Product / Process Change Notification (PCN)

- Major change
 Minor change

PCN #: PCN_IndHCM_20191104

Affected Series: WE-HCM; 74430820xxx

PCN Date: October 04, 2019

Effective Date: November 04, 2019

Change Category:

- Equipment / Location
 General Data
 Material
 Process
 Product Design
 Shipping / Packaging
 Supplier
 Software

Contact: Product Management

Phone: +49 (0) 7942 - 945 5001

Fax: +49 (0) 7942 - 945 5179

E-Mail: pcn.eisos@we-online.com

Data Sheet Change:

- Yes No

Attachment:

- Yes No

DESCRIPTION AND PURPOSE OF CHANGE:

Because of a database mismatch, Würth Elektronik will correct the dimensions of the drawing in the datasheet.

There will be no change in form, fit, function, quality or reliability of the product.

DETAIL OF CHANGE:

In the product drawing the dimension of the width of the clip will change:

Following parts are affected:

7443082010

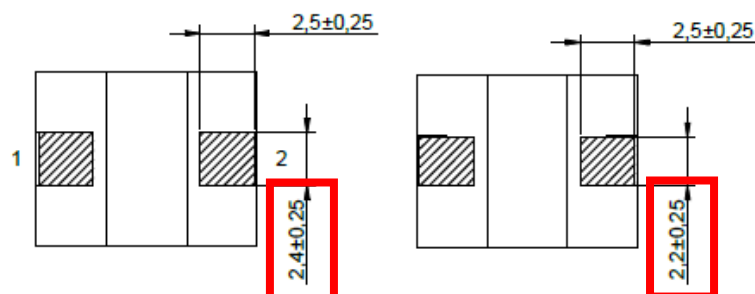
7443082012

7443082015

7443082017

7443082018

7443082022



Würth Elektronik eiSos GmbH & Co. KG

EMC & Inductive Solutions

Max-Eyth-Straße 1 · 74638 Waldenburg · Germany

Tel. +49 (0) 79 42 945-0 · Fax +49 (0) 79 42 945-400

eiSos@we-online.de · www.we-online.de



Following parts are affected:

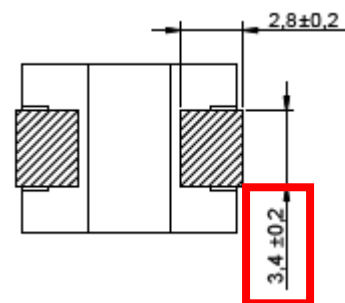
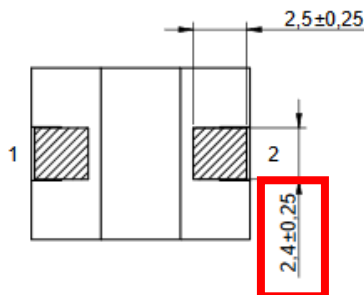
Before change

After change

7443082010B

7443082012B

7443082015B



Also the dimension of the Recommended Land Pattern will change:

Following parts are affected:

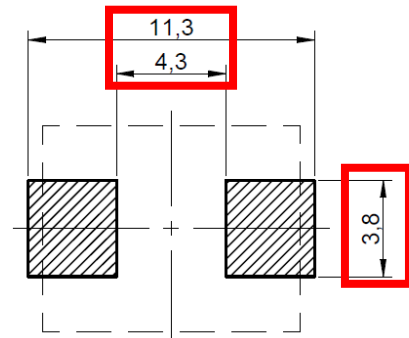
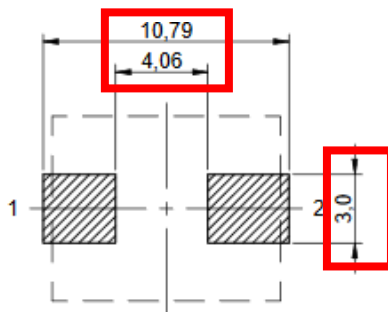
Before change

After change

7443082010B

7443082012B

7443082015B



RELIABILITY / QUALIFICATION SUMMARY:

There will be no change of the Product, therefore no additional reliability or qualification testing will be performed.