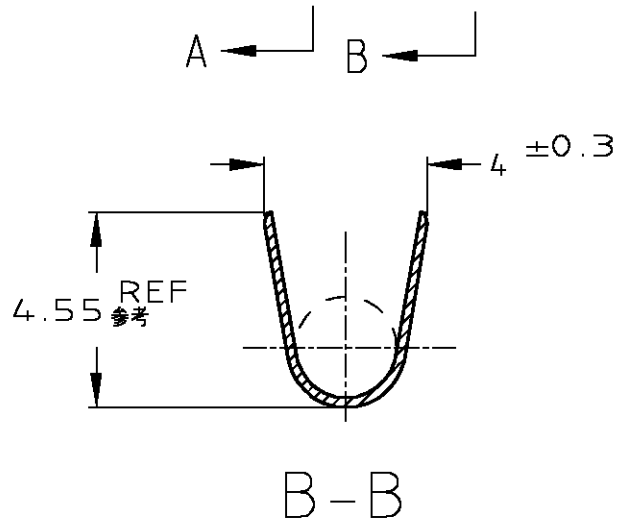
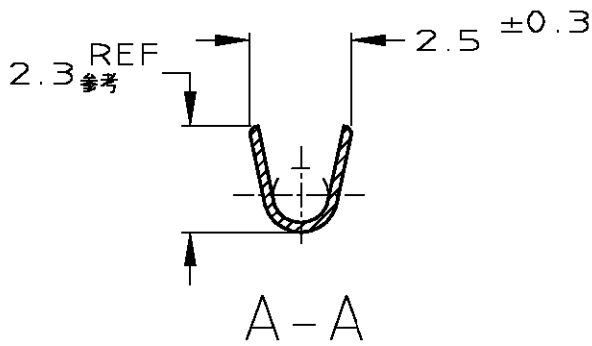
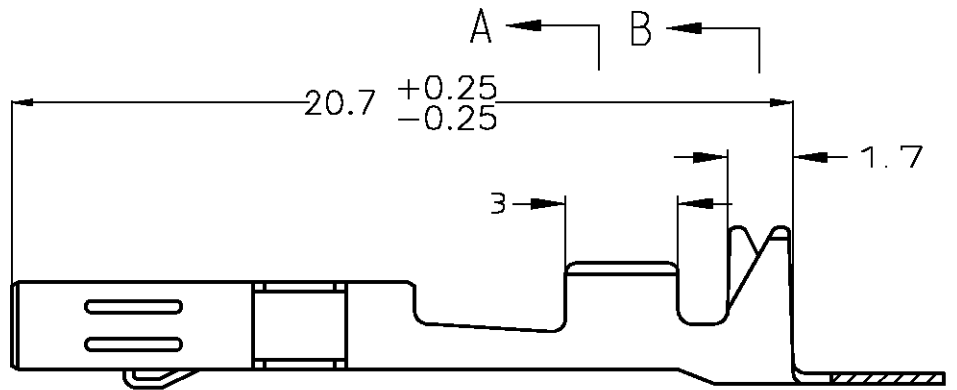
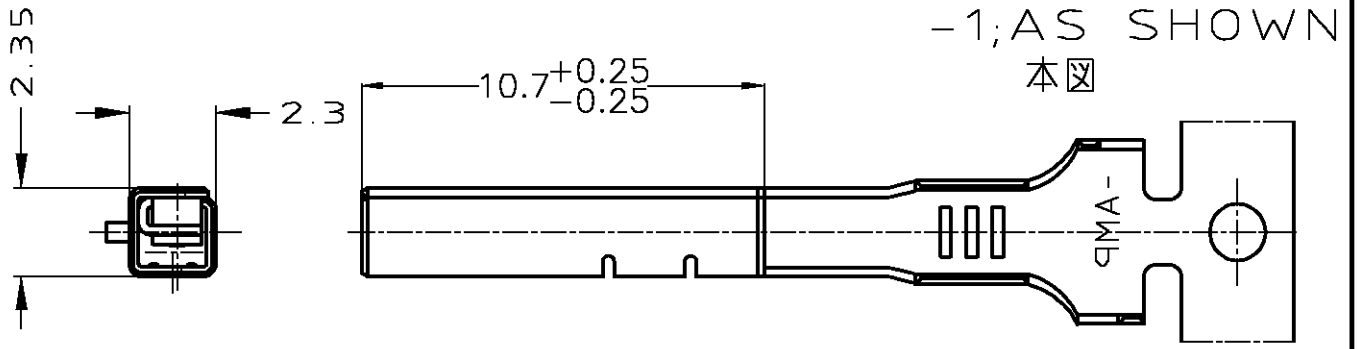


LOC	DIST	REVISIONS			DATE	DWN	APVD
J	—	P	LTR	DESCRIPTION			
		C		REVISED FJ00-0944-01	08MAY01	TS	KO



RELEASED FOR PUBLICATION ,07OCT96

ALL RIGHTS RESERVED.

© COPYRIGHT 1996 BY TYCO ELECTRONICS CORPORATION.

THIS DRAWING IS UNPUBLISHED.

DIMENSIONS: MM		DWN K.BETSUI 04OCT96	WIRE RANGE 包含電線断面積 AVSS/CAVS0.3-0.85	INSULATION DIA 線徑外径 φ1.4-2.0
TOLERANCES UNLESS OTHERWISE SPECIFIED:		CHK K.AOYAMA 04OCT96	MATERIAL Cu ALLOY	FINISH PRE-TIN
0 PLC ± 0.2		APVD K.ODA 04OCT96	Tyco Electronics AMP K.K. Kawasaki, Japan	
1 PLC ± 0.2		PRODUCT SPEC 108-5523		
2 PLC ± 0.2		APPLICATION SPEC 114-5216	NAME .060 SERIES RECEPTACLE CONTACT	
3 PLC ± 0.2		WEIGHT 0.5g	SIZE A4	CAGE CODE 00779
4 PLC ± 0.2		CUSTOMER DRAWING	DRAWING NO C-900293	RESTRICTED TO
ANGLES ± 1			SCALE 5:1	SHEET 1 OF 1
			REV C	