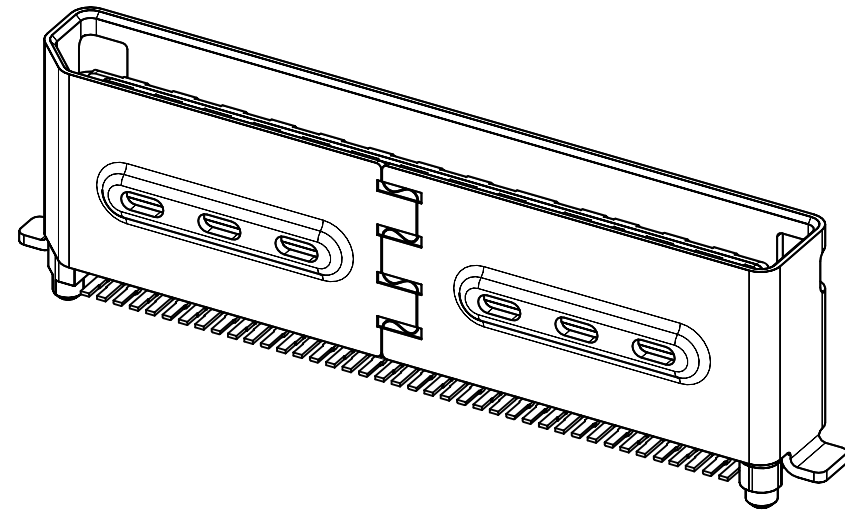
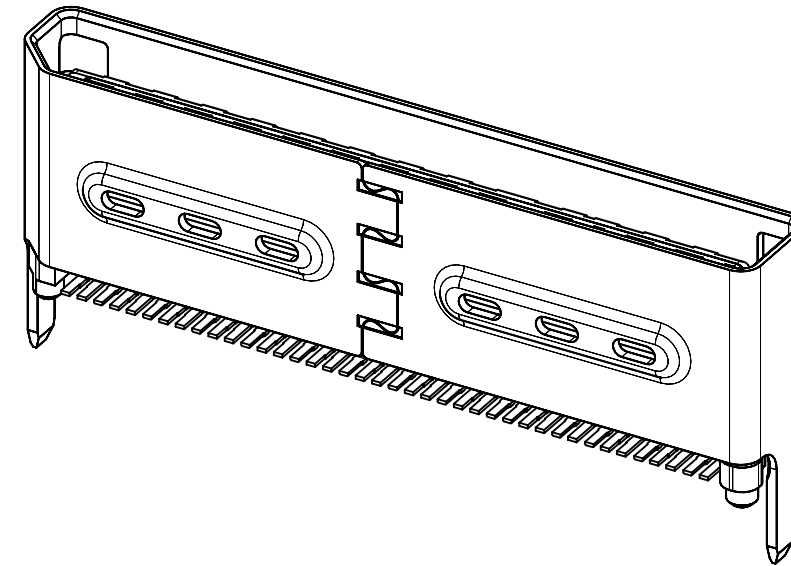


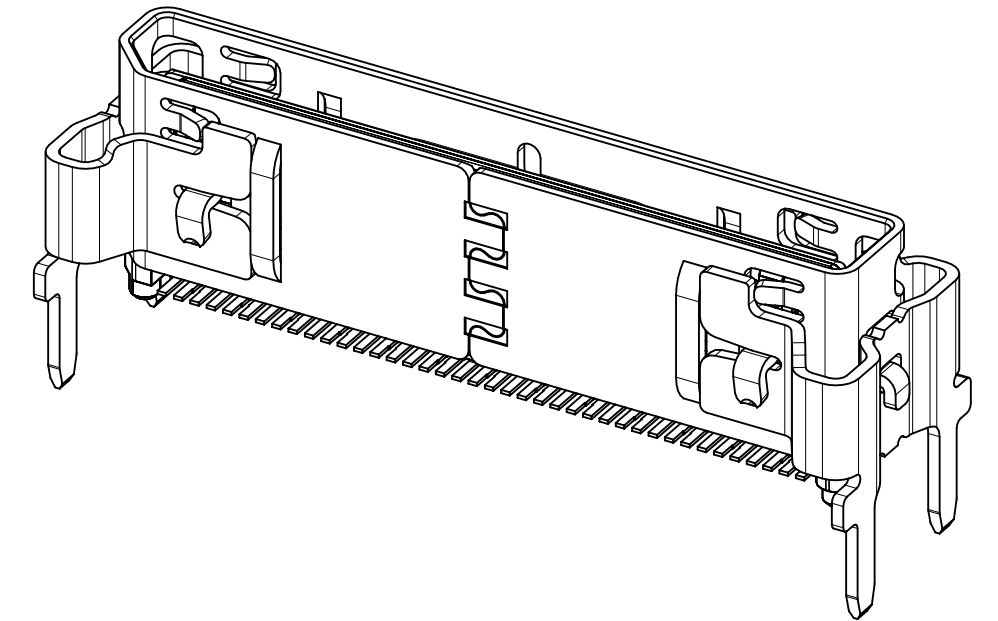
STATUS	MATERIAL NUMBER	GND TERMINAL OPTION	PICK AND PLACE CAP COLOR	DIM 'T'
TOOLED	173162-0331	SMT	N/A	N/A
TOOLED	173162-0332	TAIL	N/A	3.00
TOOLED	173162-0333	SMT	BLACK	N/A
TOOLED	173162-0334	TAIL	BLACK	3.00
NOT TOOLED	173162-0335	TAIL	BLACK	2.36
NOT TOOLED	173162-0336	TAIL	BLACK	1.57
TOOLED	173162-0337	XD	N/A	3.00
	173162-0338		BLACK	
TOOLED	173162-0339	XD	BLACK	2.36
TOOLED	173162-0340	XD	BLACK	1.57



80 CIRCUIT SMT



80 CIRCUIT TAIL



80 CIRCUIT XD

NOTES:

1. MATERIALS:

HOUSING - GLASS FILLED THERMOPLASTIC, 94V-0
 CONTACTS - HIGH PERFORMANCE COPPER ALLOY
 SHIELD - STAINLESS STEEL

2. FINISH:

CONTACTS - 0.76µm MIN. GOLD MATING SIDE
 0.05µm GOLD FLASH ON SOLDER TAILS
 1.27µm MIN. NICKEL UNDERPLATE OVERALL

SMT/TH SHIELD - MATTE TIN OVER 1.27µm MIN. NICKEL
 XD SHIELD - MATT TIN ON SOLDER LEGS ONLY

3. PRODUCT SPECIFICATION: PS-173162-0001

4. PACKAGING SPECIFICATION: PK-173307-0001

5. MATES WITH: MOLEX CABLE SERIES 200226 OR 200227
 PER INDUSTRY STANDARD PCIe OCuLink 1.0, SFF-8611

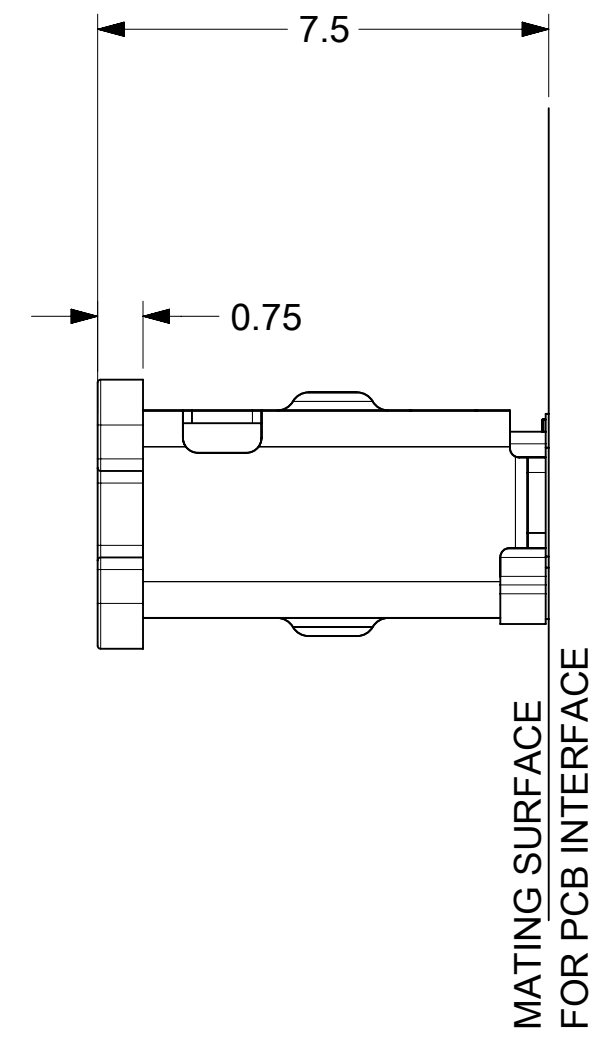
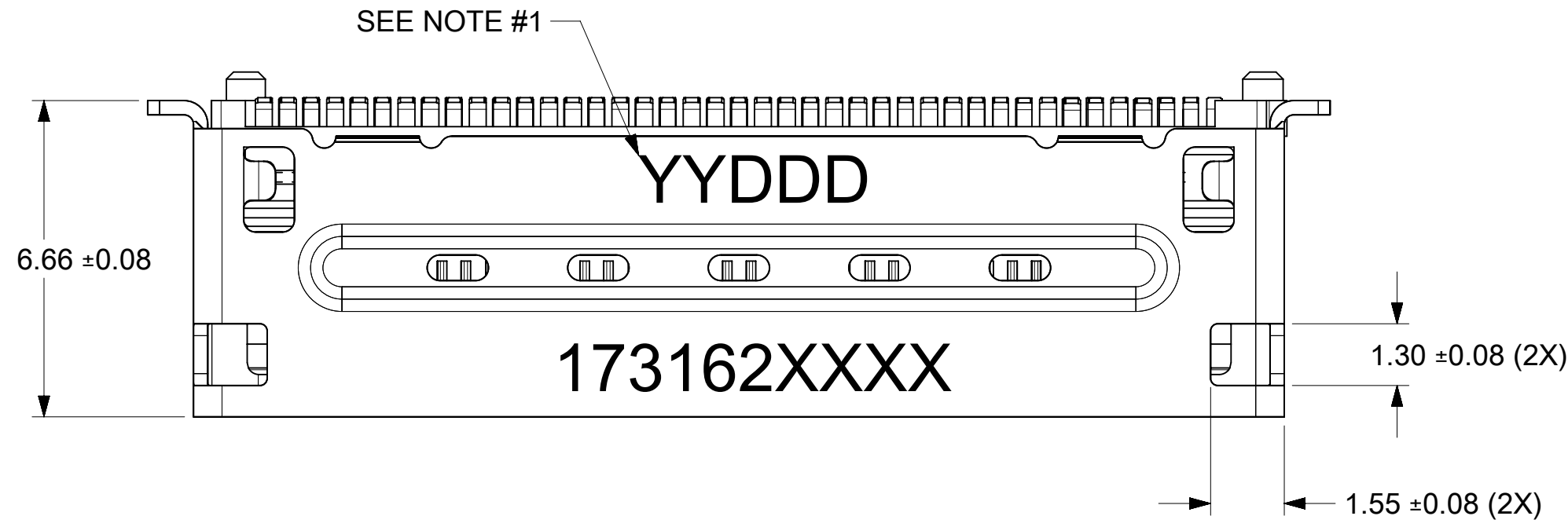
6. APPLICATION SPECIFICATION: AS-173162-0001

7. COSMETIC SPECIFICATION: PS-45499-002, CLASS B

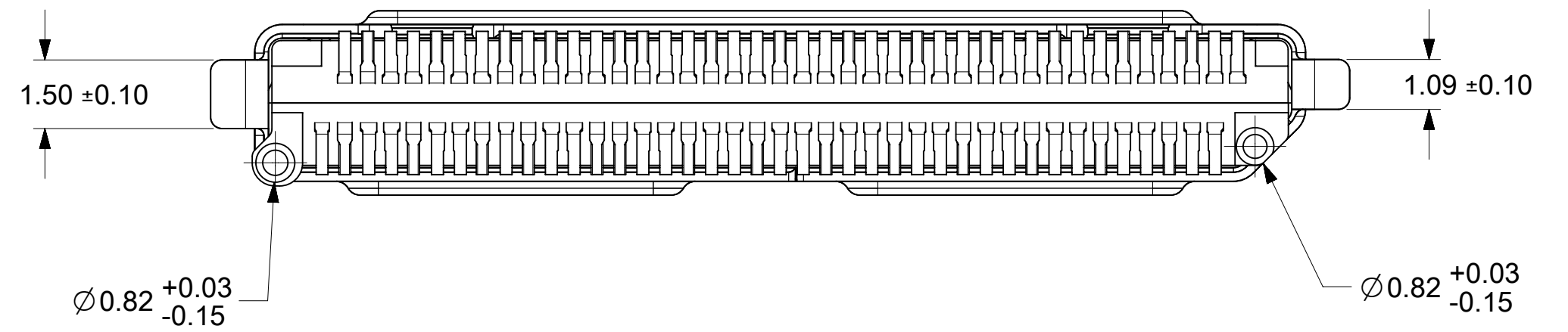
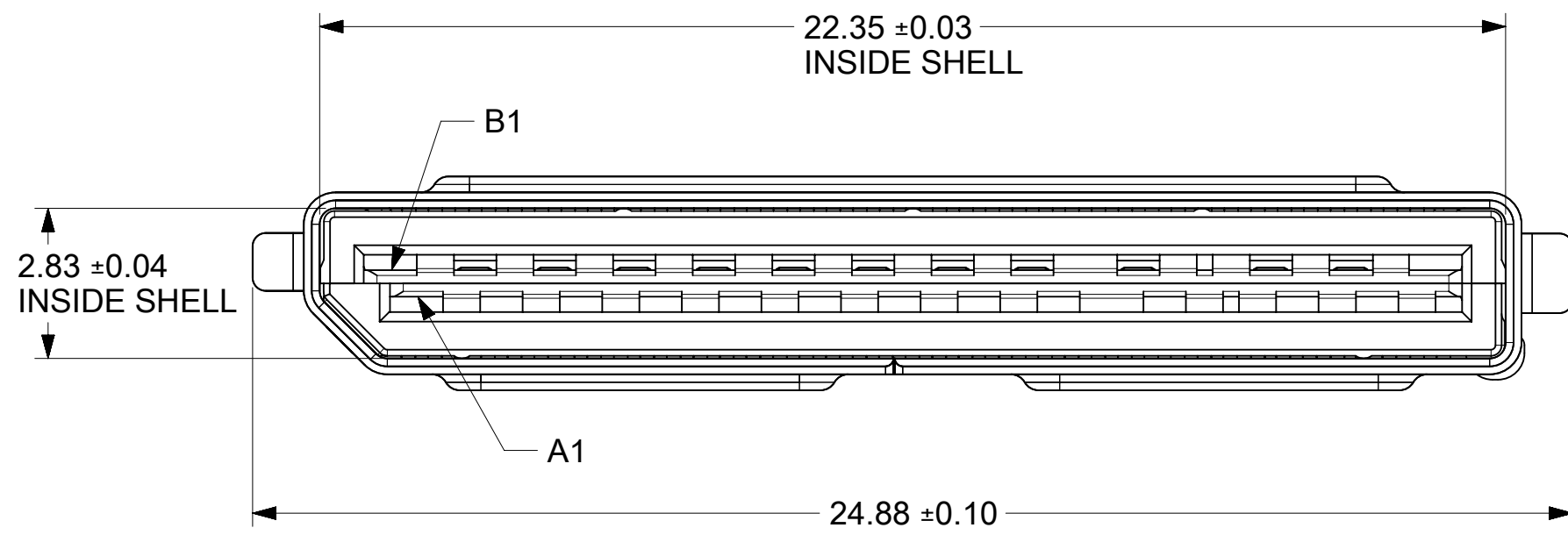
8. DATE CODE TO BE LOCATED APPROXIMATELY AS SHOWN, DATE CODE
 TO SHOW THE DATE AND YEAR OF ASSEMBLY (DDYY OR YYDD)

FUNCTIONAL SYMBOLS	THIS DRAWING CONTAINS INFORMATION THAT IS PROPRIETARY TO MOLEX ELECTRONIC TECHNOLOGIES, LLC AND SHOULD NOT BE USED WITHOUT WRITTEN PERMISSION			
	DIMENSION UNITS	SCALE		CURRENT REV DESC:
$\frac{F}{A} = 0$	mm	5:1		EC NO: 672997 DRWN: RCHEN55 2021/01/12 CHK'D: JKACHLIC 2021/08/30 APPR: JKACHLIC 2021/08/30
$\frac{F}{C} = 0$	GENERAL TOLERANCES (UNLESS SPECIFIED)			
DIVISIONAL SYMBOLS		MM	INCH	INITIAL REVISION: DRWN: BJANOWIAK 2015/05/11 APPR: BJANOWIAK 2015/06/15
	4 PLACES	±	±	
	3 PLACES	±	±	
	2 PLACES	± 0.13	±	
	1 PLACE	± 0.25	±	DOCUMENT NUMBER: SD-173162-0002 DOC TYPE: PSD DOC PART: 001 REVISION: E2
	0 PLACES	±	±	
	ANGULAR TOL	± 0.5 °		MATERIAL NUMBER: SEE SHEET 1 CUSTOMER: GENERAL MARKET SHEET NUMBER: 1 OF 8
	DRAFT WHERE APPLICABLE MUST REMAIN WITHIN DIMENSIONS	THIRD ANGLE PROJECTION	DRAWING: C-SIZE SERIES: 173162	

8X SMT ASSEMBLY



WITH CAP



NOTES:

1. MANUFACTURED DATE CODE (JULIAN CALENDAR)

YYDDD

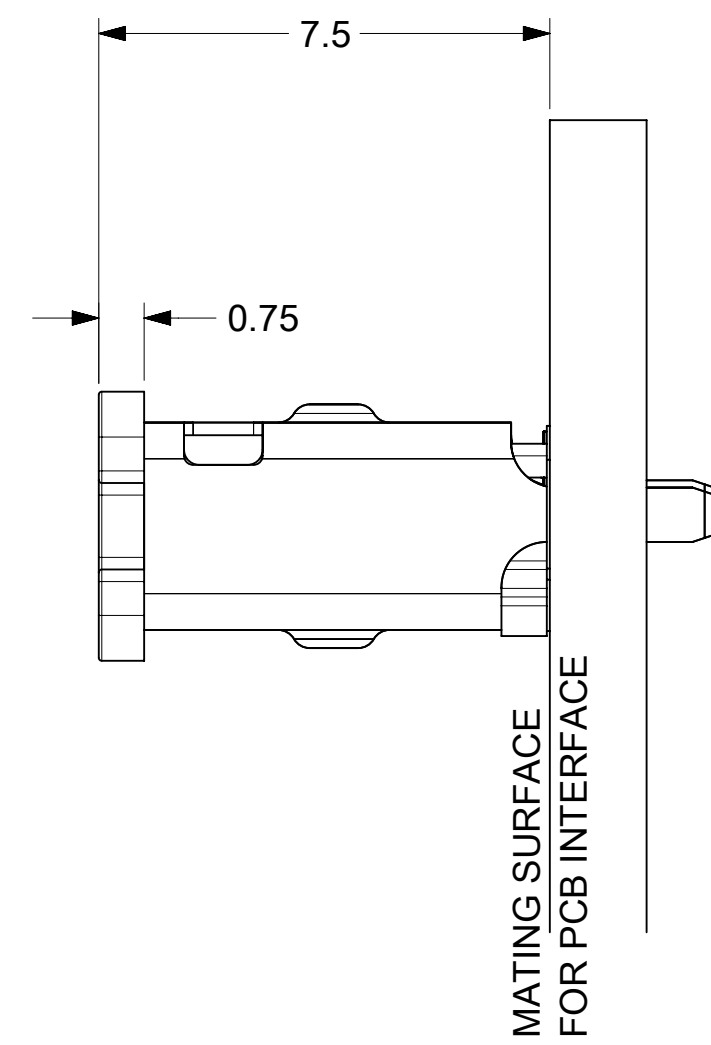
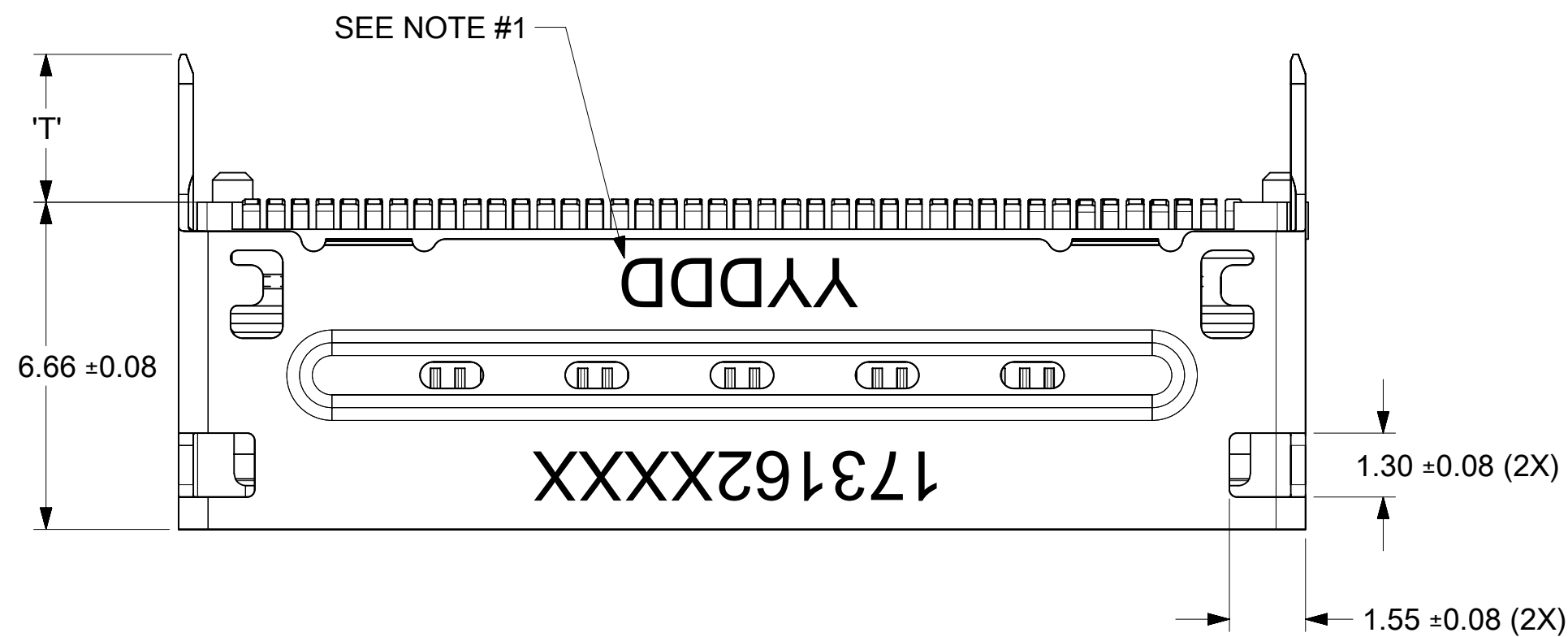
DAY OF THE YEAR

LAST TWO DIGITS OF THE YEAR

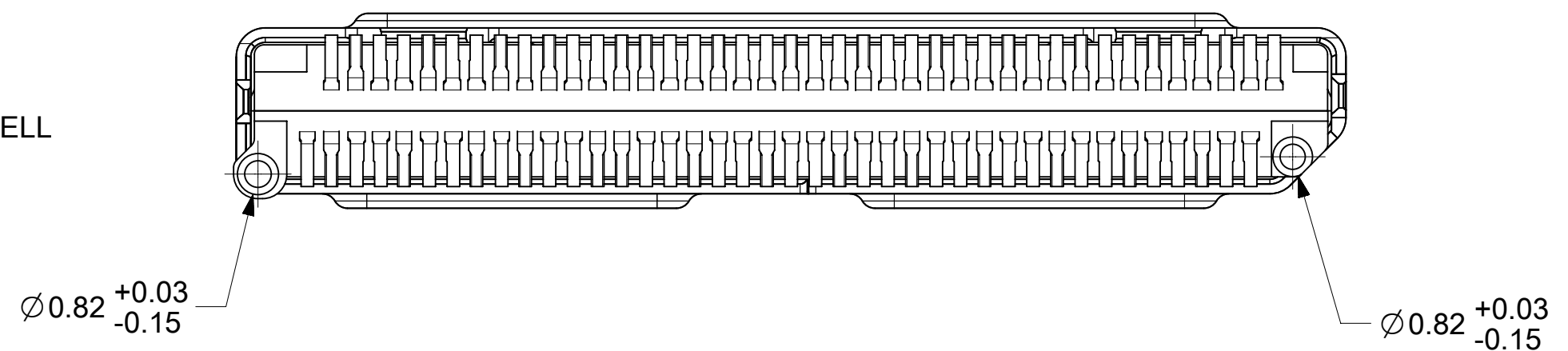
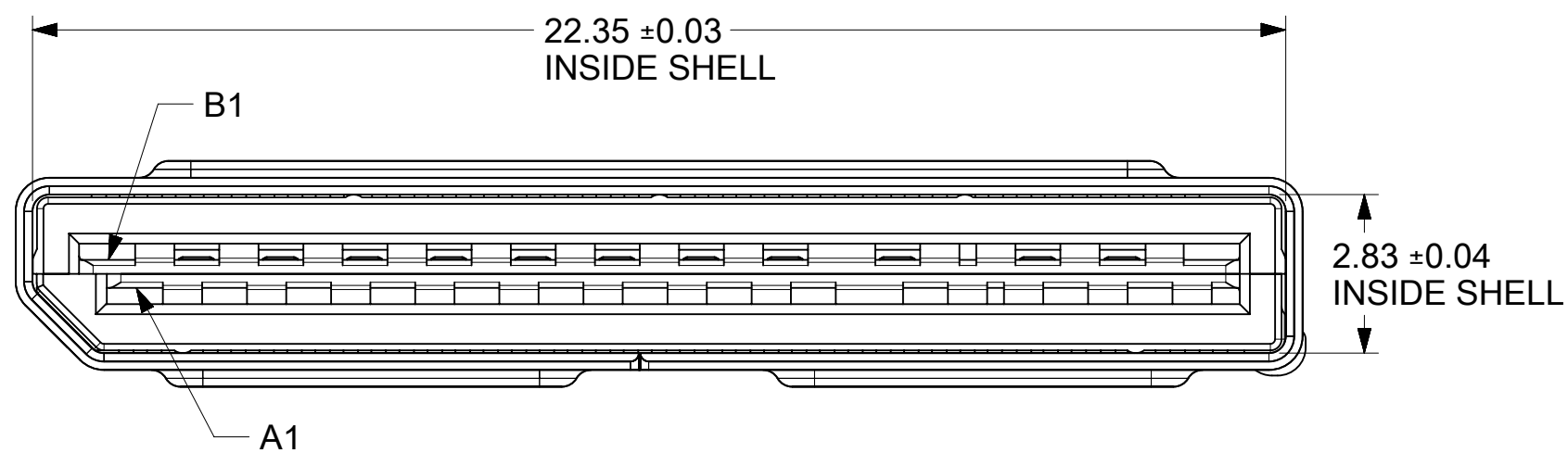
2. SOLDER TAIL COPLANARITY 0.10 MAX

FUNCTIONAL SYMBOLS	THIS DRAWING CONTAINS INFORMATION THAT IS PROPRIETARY TO MOLEX ELECTRONIC TECHNOLOGIES, LLC AND SHOULD NOT BE USED WITHOUT WRITTEN PERMISSION											
	DIMENSION UNITS		SCALE		CURRENT REV DESC:							
	mm		8:1		EC NO: 672997 DRWN: RCHEN55 2021/01/12 CHK'D: JKACHLIC 2021/08/30 APPR: JKACHLIC 2021/08/30							
	GENERAL TOLERANCES (UNLESS SPECIFIED)											
DIVISIONAL SYMBOLS		MM		INCH		INITIAL REVISION:		DOCUMENT NUMBER		DOC TYPE	DOC PART	REVISION
4 PLACES		±		±		DRWN: BIANOWIAK 2015/05/11		SD-173162-0002		PSD	001	E2
3 PLACES		±		±		2015/09/18		MATERIAL NUMBER		CUSTOMER		SHEET NUMBER
2 PLACES		± 0.13		±		APPR: MBANAKIS		SEE SHEET 1		GENERAL MARKET		2 OF 8
1 PLACE		± 0.25		±		DRAFT WHERE APPLICABLE MUST REMAIN WITHIN DIMENSIONS		C-SIZE		173162		
0 PLACES		±		±		THIRD ANGLE PROJECTION						

8X SOLDER TAIL ASSEMBLY



WITH CAP



NOTES:

1. MANUFACTURED DATE CODE (JULIAN CALENDAR)

YYDDD

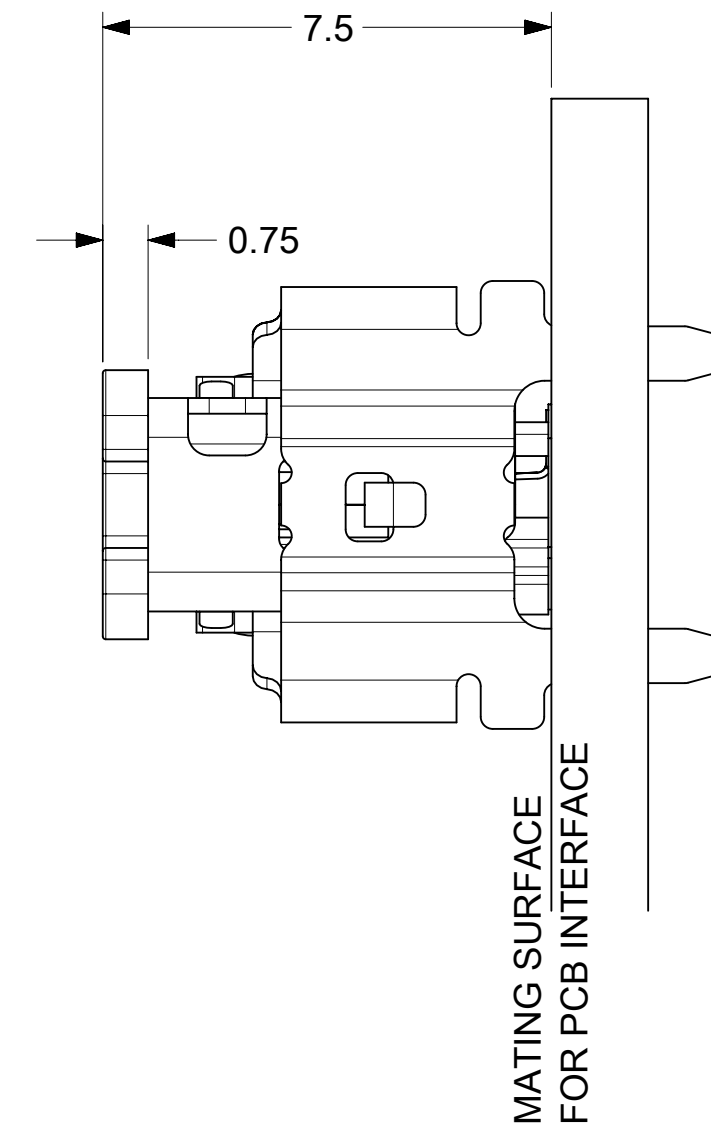
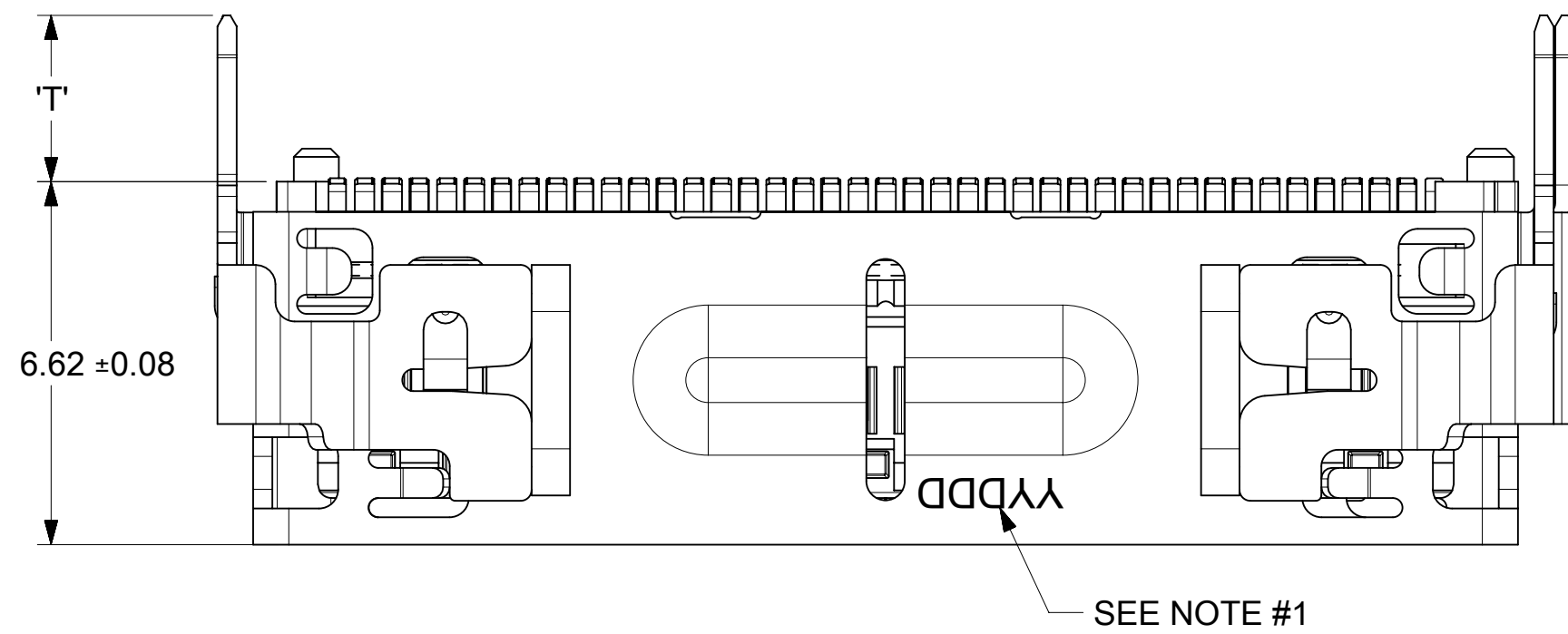
DAY OF THE YEAR

LAST TWO DIGITS OF THE YEAR

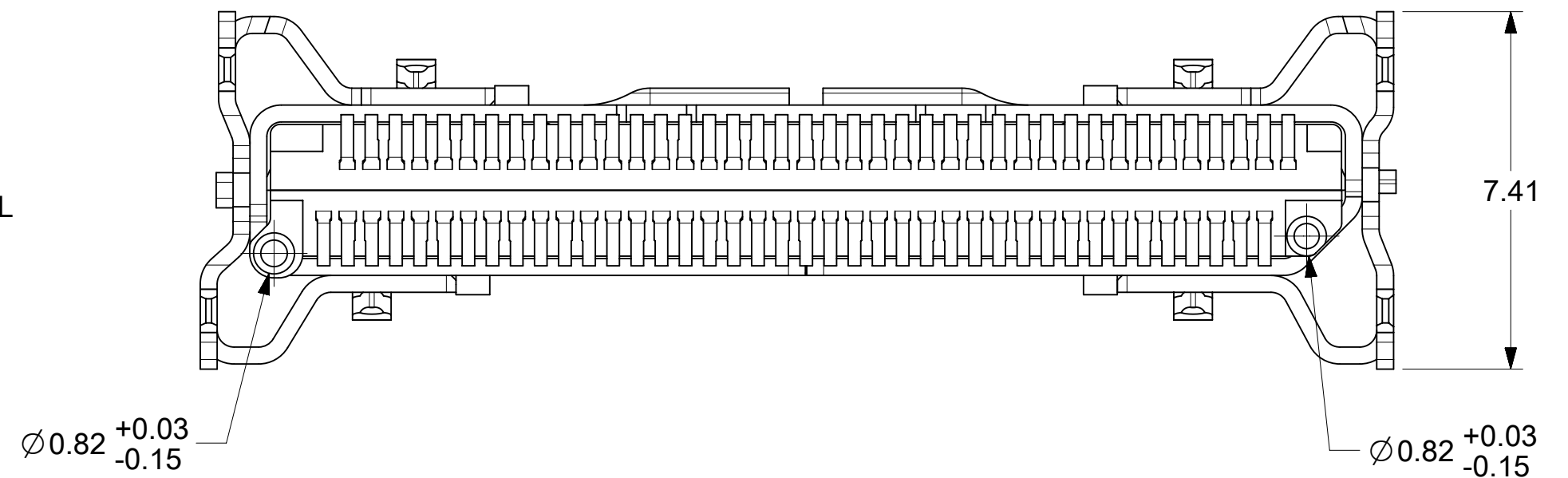
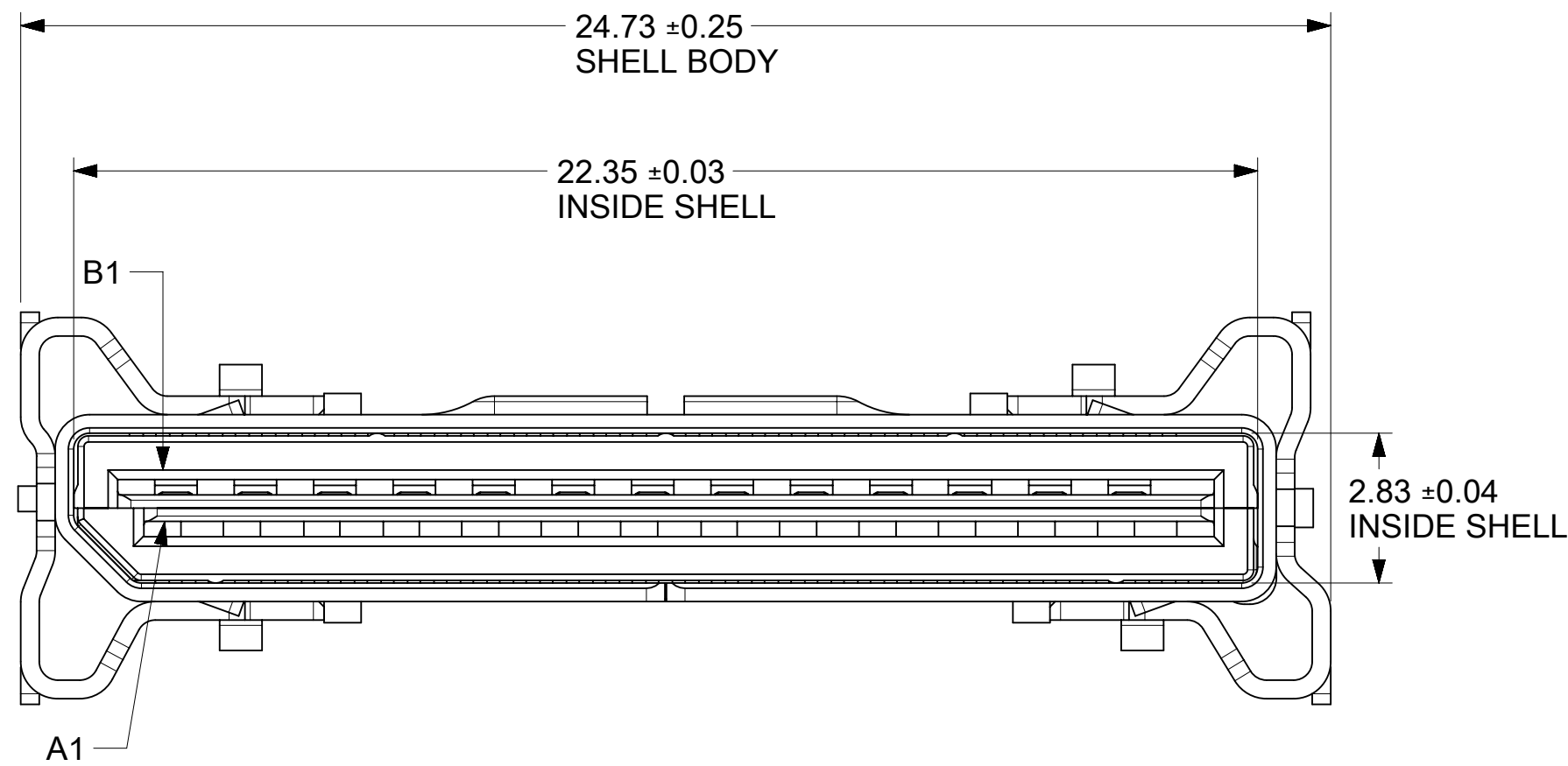
2. SOLDER TAIL COPLANARITY 0.10 MAX

FUNCTIONAL SYMBOLS FA = 0 FC = 0 FP = 0 DIVISIONAL SYMBOLS	THIS DRAWING CONTAINS INFORMATION THAT IS PROPRIETARY TO MOLEX ELECTRONIC TECHNOLOGIES, LLC AND SHOULD NOT BE USED WITHOUT WRITTEN PERMISSION											
	DIMENSION UNITS		SCALE		CURRENT REV DESC:							
	mm		8:1		EC NO: 672997							
	GENERAL TOLERANCES (UNLESS SPECIFIED)										2021/01/12	
4 PLACES ±		MM		INCH		DRWN: RCHEN55				2021/08/30		
3 PLACES ±						CHK'D: JKACHLIC				2021/08/30		
2 PLACES ± 0.13						APPR: JKACHLIC				2021/08/30		
1 PLACE ± 0.25						INITIAL REVISION:				2015/05/11		
0 PLACES ±						DRWN: BJANOWIAK				2015/09/18		
ANGULAR TOL ± 0.5°						APPR: MBANAKIS				2015/09/18		
DRAFT WHERE APPLICABLE MUST REMAIN WITHIN DIMENSIONS				THIRD ANGLE PROJECTION		DRAWING		SERIES		DOCUMENT NUMBER		
						C-SIZE		173162		SD-173162-0002		
										DOC TYPE DOC PART REVISION		
										PSD 001 E2		
										MATERIAL NUMBER CUSTOMER SHEET NUMBER		
										SEE SHEET 1 GENERAL MARKET 3 OF 8		

8X XD ASSEMBLY



WITH CAP



NOTES:

1. MANUFACTURED DATE CODE (JULIAN CALENDAR)

YYDD

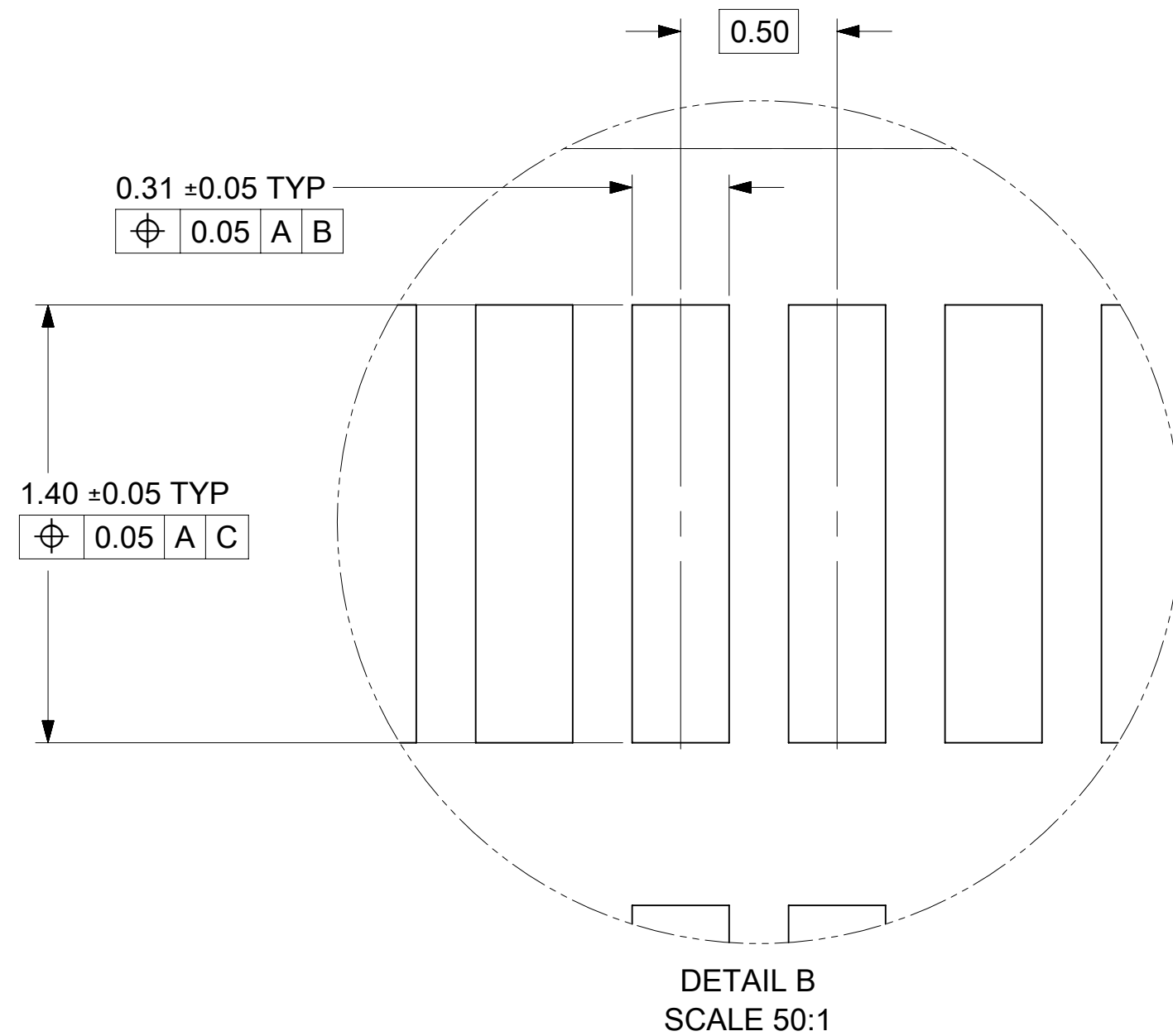
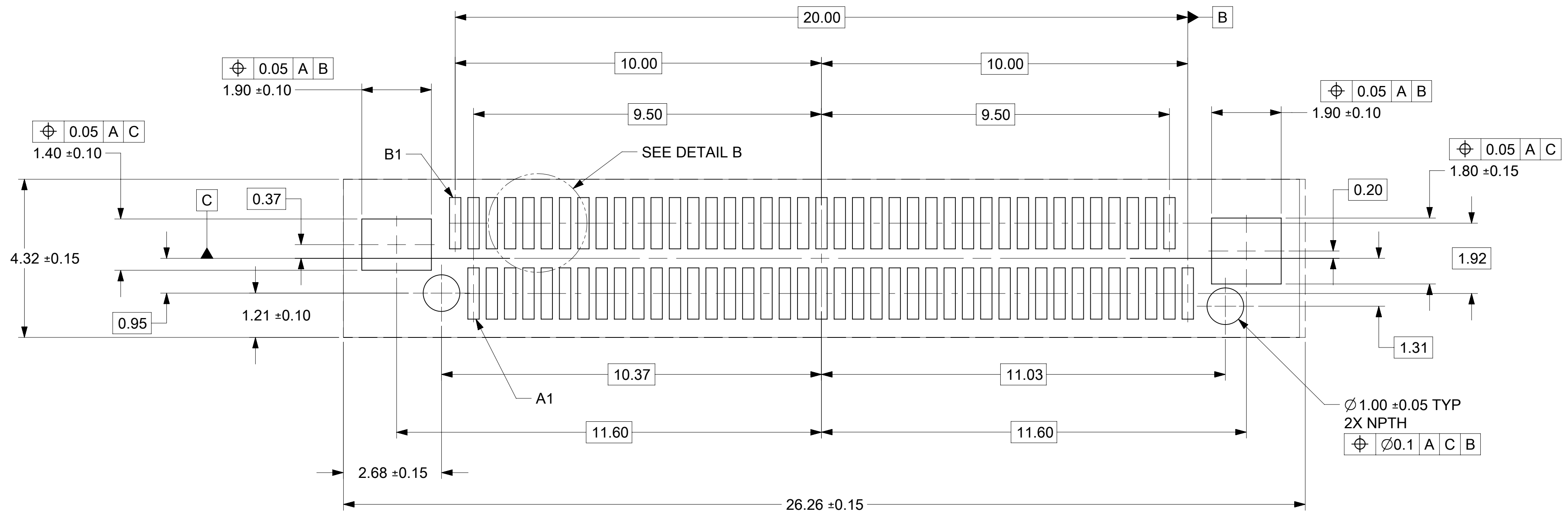
DAY OF THE YEAR

LAST TWO DIGITS OF THE YEAR

2. SOLDER TAIL COPLANARITY 0.10 MAX

FUNCTIONAL SYMBOLS	THIS DRAWING CONTAINS INFORMATION THAT IS PROPRIETARY TO MOLEX ELECTRONIC TECHNOLOGIES, LLC AND SHOULD NOT BE USED WITHOUT WRITTEN PERMISSION												
	DIMENSION UNITS	SCALE		CURRENT REV DESC:									
FA = 0	mm	8:1		EC NO: 672997 DRWN: RCHEN55 CHK'D: JKACHLIC APPR: JKACHLIC 2021/01/12 2021/08/30 2021/08/30									
FC = 0	GENERAL TOLERANCES (UNLESS SPECIFIED)									INITIAL REVISION: DRWN: BJANOWIAK APPR: MBANAKIS 2015/05/11 2015/09/18			
FP = 0		MM	INCH	PRODUCT CUSTOMER DRAWING									
DIVISIONAL SYMBOLS	4 PLACES	±	±							DOCUMENT NUMBER SD-173162-0002			
	3 PLACES	±	±	PSD		001	E2						
	2 PLACES	±	0.13 ±	MATERIAL NUMBER SEE SHEET 1						CUSTOMER GENERAL MARKET		SHEET NUMBER 4 OF 8	
	1 PLACE	±	0.25 ±										
	0 PLACES	±	±	DRAFT WHERE APPLICABLE MUST REMAIN WITHIN DIMENSIONS		THIRD ANGLE PROJECTION 		DRAWING C-SIZE		SERIES 173162			
	ANGULAR TOL		± 0.5 °										

8X SMT RECOMMENDED FOOTPRINT



NOTES:

1. MINIMUM RECOMMENDED SPACING BETWEEN ADJACENT CONNECTOR IS 28.50mm
2. MINIMUM RECOMMENDED PCB THICKNESS: 1.57mm
3. CONNECTOR KEEP OUT AREA
4. DATUM -A- ESTABLISHED FROM TOP SURFACE OF PCB

FUNCTIONAL SYMBOLS	THIS DRAWING CONTAINS INFORMATION THAT IS PROPRIETARY TO MOLEX ELECTRONIC TECHNOLOGIES, LLC AND SHOULD NOT BE USED WITHOUT WRITTEN PERMISSION				
	DIMENSION UNITS		SCALE		
$\frac{F}{A} = 0$	mm	12:1		CURRENT REV DESC:	
$\frac{F}{C} = 0$	GENERAL TOLERANCES (UNLESS SPECIFIED)				
DIVISIONAL SYMBOLS	MM		INCH		
	4 PLACES	±	±	EC NO: 672997 DRWN: RCHEN55 CHK'D: JKACHLIC APPR: JKACHLIC	
	3 PLACES	±	±		
	2 PLACES	±	0.13	±	2021/01/12 2021/08/30 2021/08/30
	1 PLACE	±	0.25	±	INITIAL REVISION: DRWN: BJANOWIAK APPR: MBANAKIS
0 PLACES	±	±	±	2015/05/11 2015/09/18	
	ANGULAR TOL	±	0.5°		
DRAFT WHERE APPLICABLE MUST REMAIN WITHIN DIMENSIONS		THIRD ANGLE PROJECTION		DRAWING SERIES	
		C-SIZE		173162	
DOCUMENT STATUS		P1		RELEASE DATE	
2021/08/30		09:41:23			
DOCUMENT NUMBER		CUSTOMER		DOC TYPE DOC PART REVISION	
SD-173162-0002		GENERAL MARKET		PSD 001 E2	
MATERIAL NUMBER		SHEET NUMBER			
SEE SHEET 1		5 OF 8			

molex

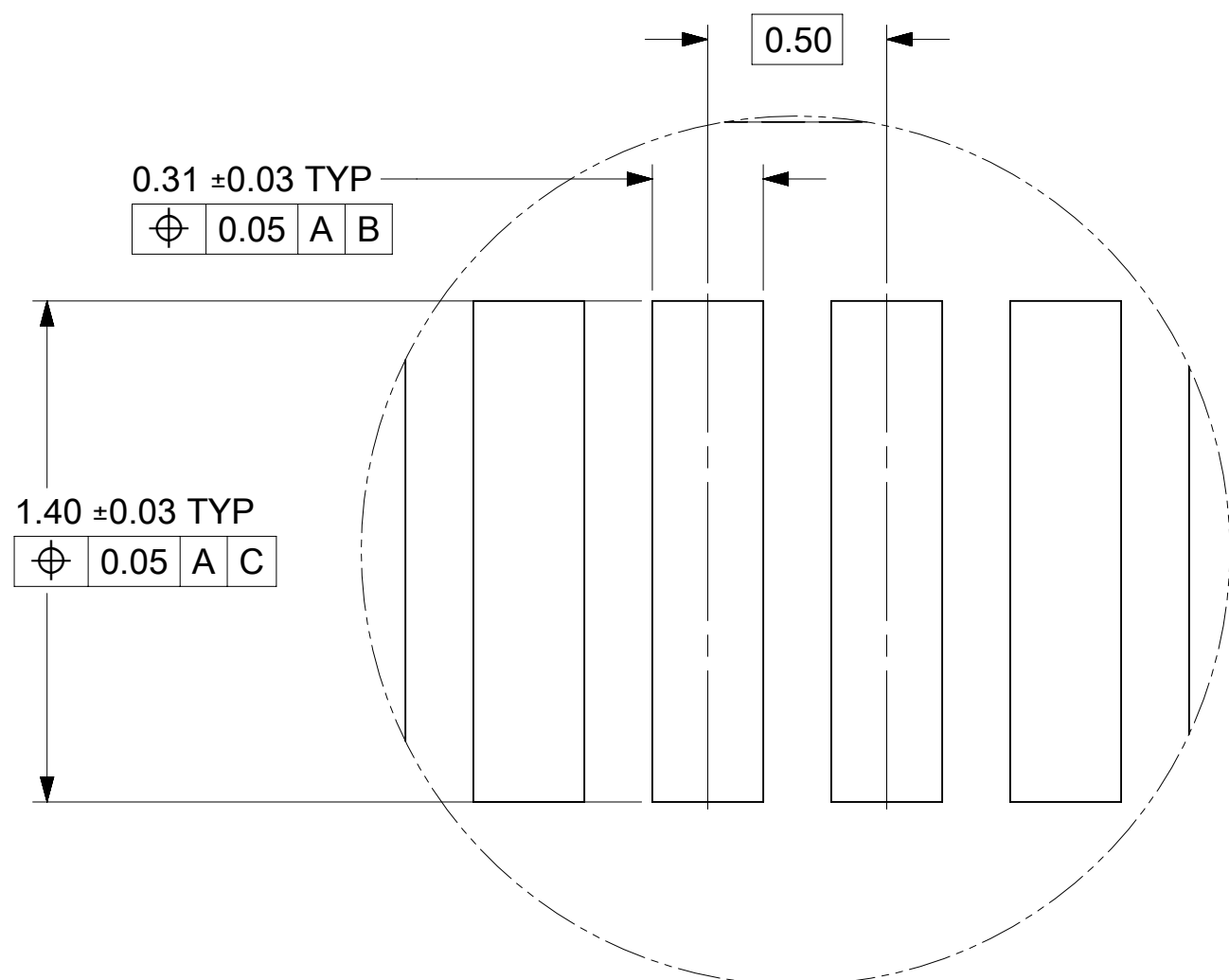
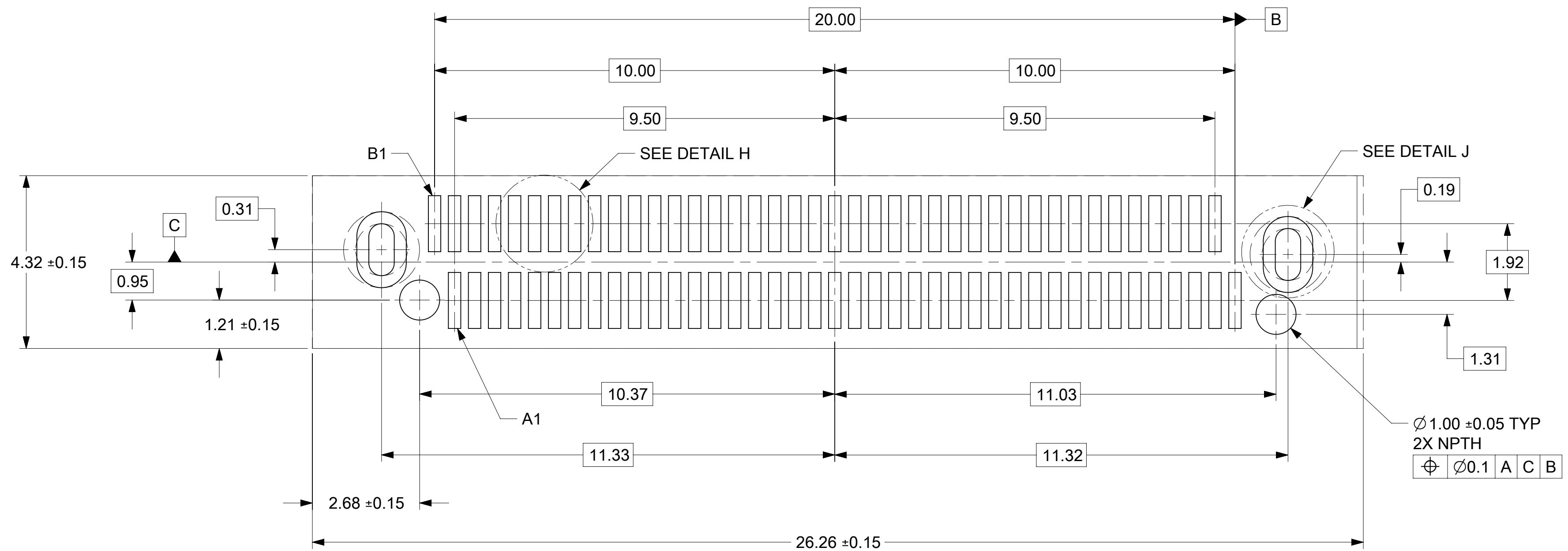
NANO PITCH I/O FIXED 25G
VERTICAL 8X

PRODUCT CUSTOMER DRAWING

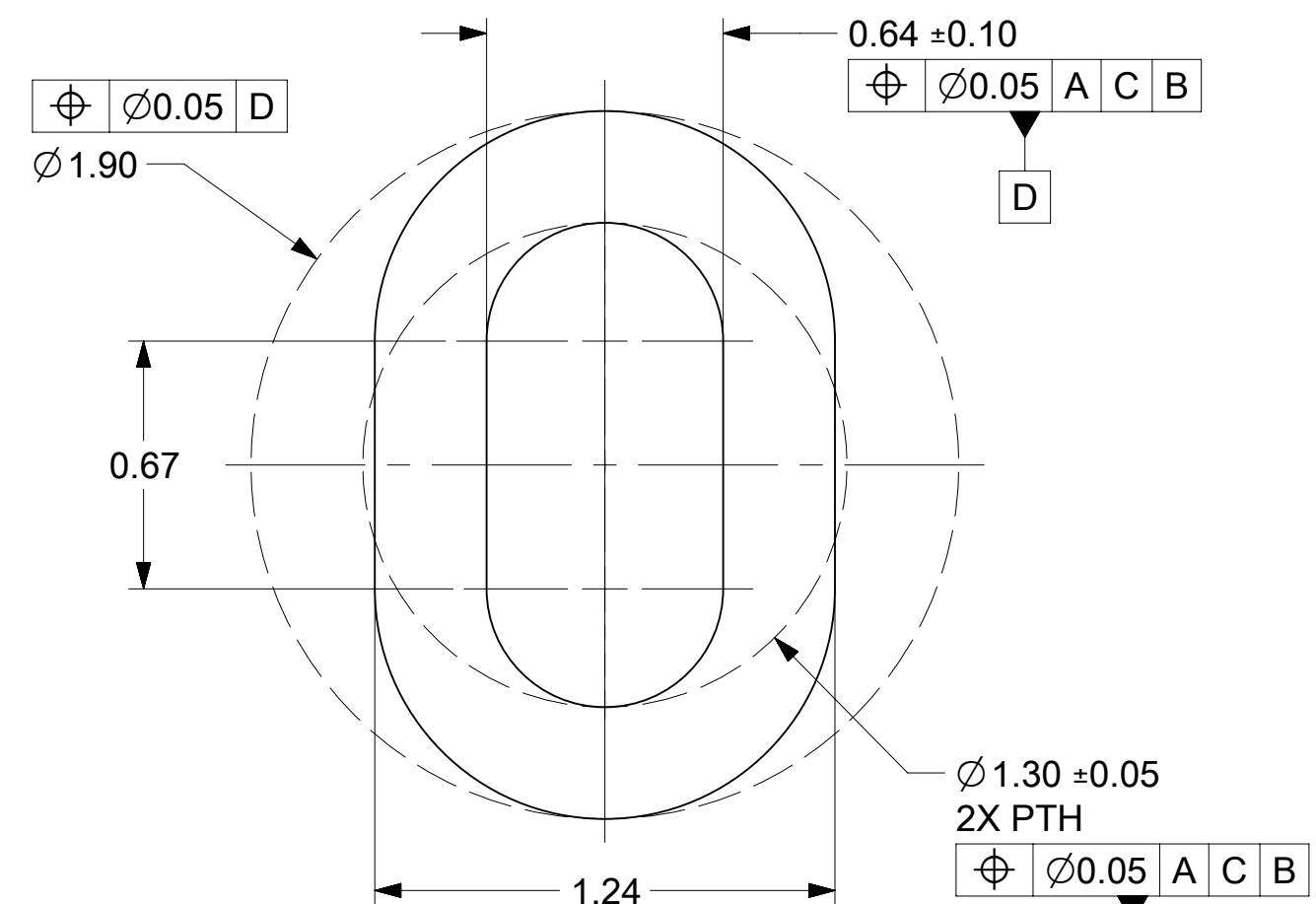
DOCUMENT NUMBER: SD-173162-0002
DOC TYPE: PSD
DOC PART: 001
REVISION: E2

MATERIAL NUMBER: SEE SHEET 1
CUSTOMER: GENERAL MARKET
SHEET NUMBER: 5 OF 8

8X SOLDER TAIL RECOMMENDED FOOTPRINT



DETAIL H
SCALE 50:1



DETAIL J
SCALE 50:1

- NOTES:
1. MINIMUM RECOMMENDED SPACING BETWEEN ADJACENT CONNECTOR IS 28.50mm
 2. MINIMUM RECOMMENDED PCB THICKNESS: 1.57mm
 3. CONNECTOR KEEP OUT AREA
 4. DATUM -A- ESTABLISHED FROM TOP SURFACE OF PCB

FUNCTIONAL SYMBOLS	THIS DRAWING CONTAINS INFORMATION THAT IS PROPRIETARY TO MOLEX ELECTRONIC TECHNOLOGIES, LLC AND SHOULD NOT BE USED WITHOUT WRITTEN PERMISSION										
	DIMENSION UNITS		SCALE		CURRENT REV DESC:						
$\frac{F}{A} = 0$	mm		12:1		EC NO: 672997 DRWN: RCHEN55 CHK'D: JKACHLIC APPR: JKACHLIC 2021/01/12 2021/08/30 2021/08/30 INITIAL REVISION: DRWN: BJanowiak APPR: MBANAKIS 2015/05/11 2015/09/18						
$\frac{F}{C} = 0$	GENERAL TOLERANCES (UNLESS SPECIFIED)										
$\frac{F}{P} = 0$			MM	INCH							
DIVISIONAL SYMBOLS	4 PLACES	±		±							
	3 PLACES	±		±							
	2 PLACES	±	0.13	±							
	1 PLACE	±	0.25	±							
	0 PLACES	±		±							
	ANGULAR TOL		± 0.5 °		THIRD ANGLE PROJECTION 						
DRAFT WHERE APPLICABLE MUST REMAIN WITHIN DIMENSIONS		DRAWING		SERIES		MATERIAL NUMBER		CUSTOMER		SHEET NUMBER	
		C-SIZE		173162		SEE SHEET 1		GENERAL MARKET		6 OF 8	

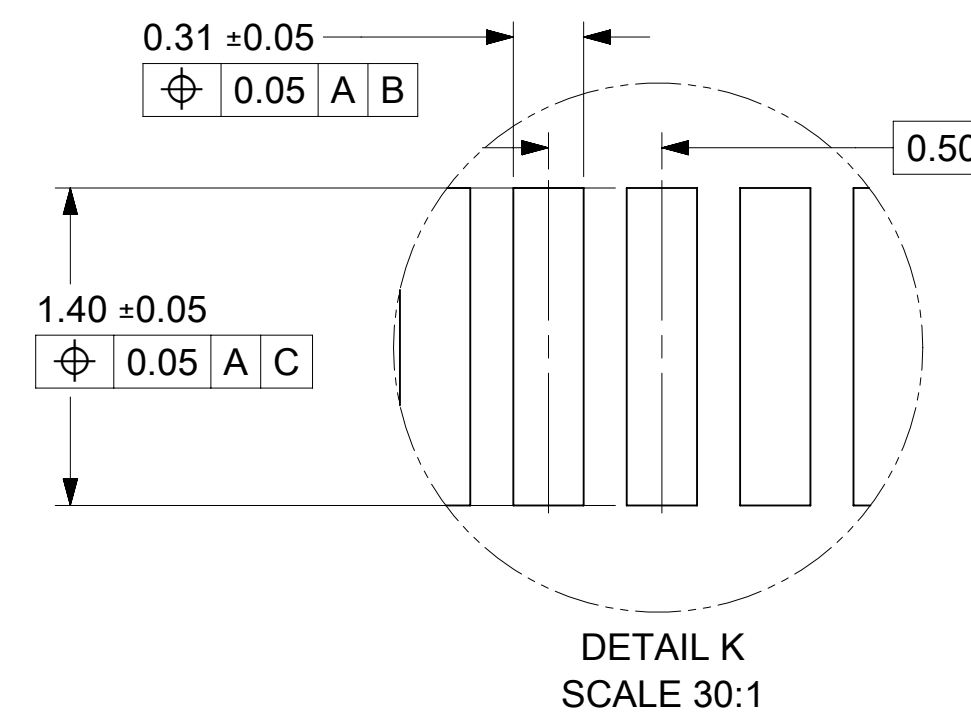
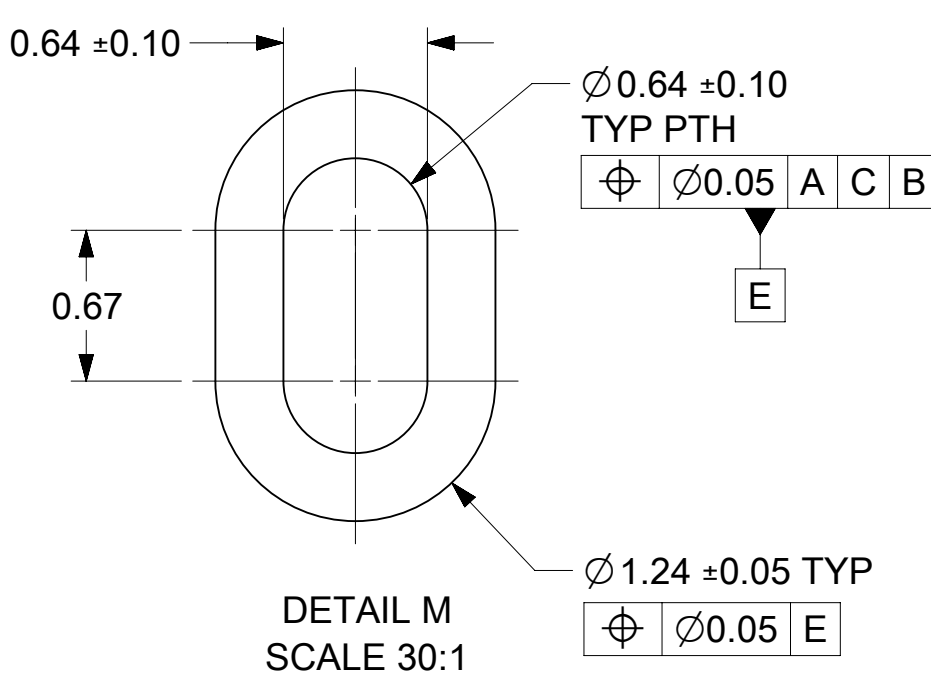
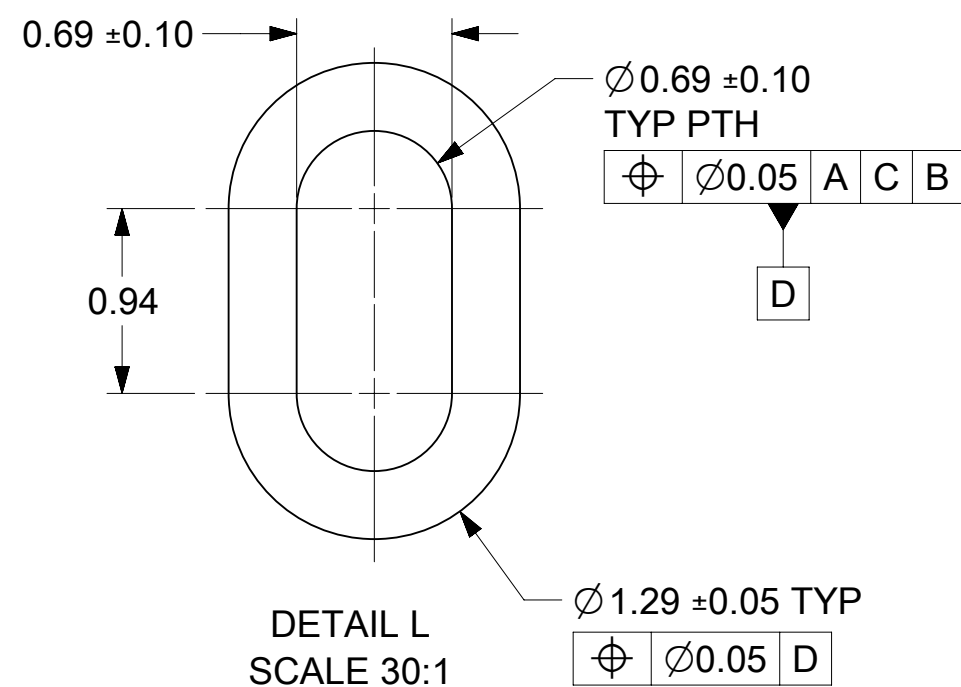
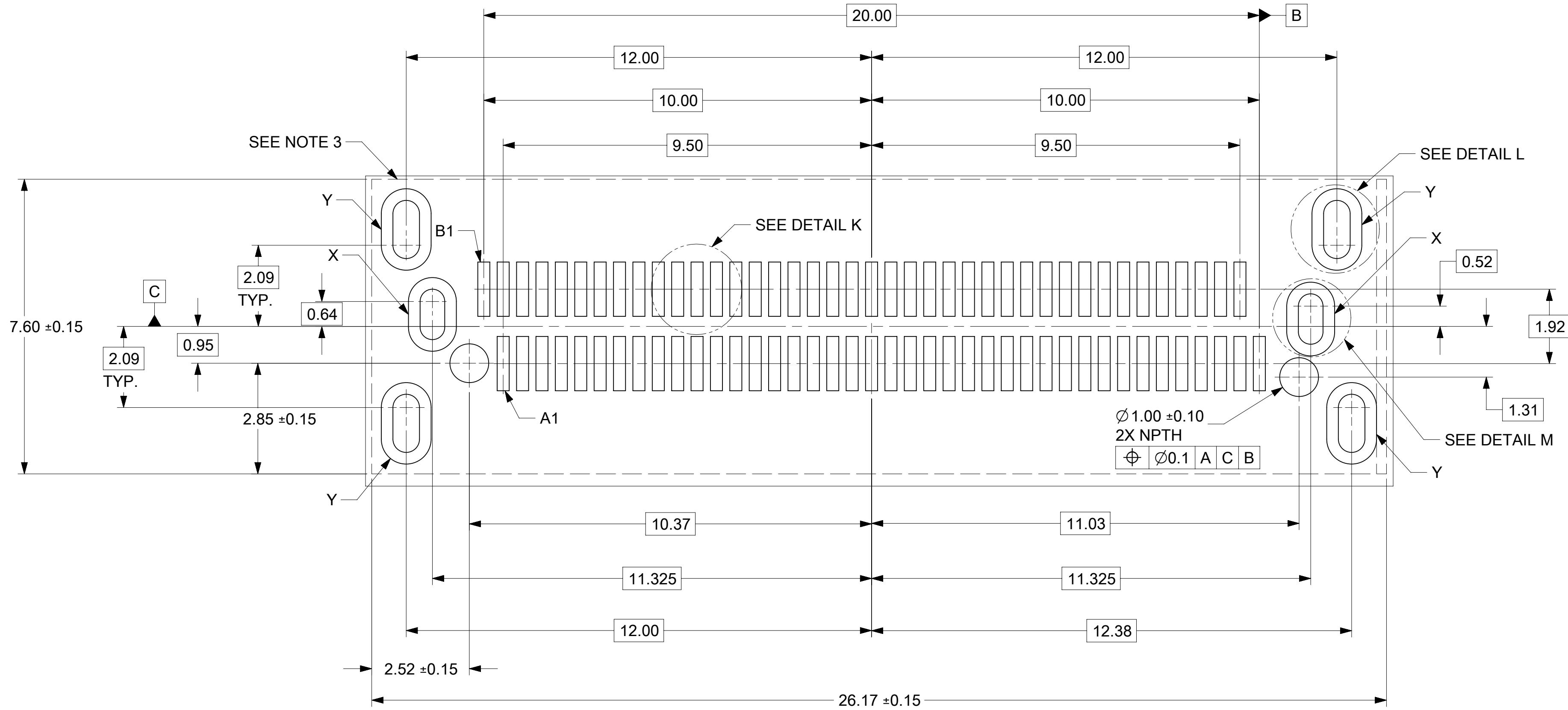
molex

NANO PITCH I/O FIXED 25G
VERTICAL 8X

PRODUCT CUSTOMER DRAWING

DOCUMENT NUMBER	DOC TYPE	DOC PART	REVISION
SD-173162-0002	PSD	001	E2

8X COMMON TAIL/XD RECOMMENDED FOOTPRINT



- NOTES:
1. MINIMUM RECOMMENDED SPACING BETWEEN ADJACENT CONNECTOR IS 28.50mm
 2. MINIMUM RECOMMENDED PCB THICKNESS: 1.57mm
 3. CONNECTOR KEEP OUT AREA
 4. DATUM -A- ESTABLISHED FROM TOP SURFACE OF PCB
 5. COMMON FOOTPRINT SHOWN
FOR XD ONLY PATTERN USE ONLY PTH DENOTED "Y"
FOR TAIL ONLY PATTERN USE ONLY PTH DENOTED "X"

FUNCTIONAL SYMBOLS	THIS DRAWING CONTAINS INFORMATION THAT IS PROPRIETARY TO MOLEX ELECTRONIC TECHNOLOGIES, LLC AND SHOULD NOT BE USED WITHOUT WRITTEN PERMISSION														
	DIMENSION UNITS		SCALE		CURRENT REV DESC:										
	mm		12:1		EC NO: 672997										
	GENERAL TOLERANCES (UNLESS SPECIFIED)														
DIVISIONAL SYMBOLS	4 PLACES		±		DRWN: RCHEN55 2021/01/12										
	3 PLACES		±		CHK'D: JKACHLIC 2021/08/30										
	2 PLACES		±	0.13	APPR: JKACHLIC 2021/08/30										
	1 PLACE		±	0.25	INITIAL REVISION:										
0 PLACES		±		DRWN: BIANOWIAK 2015/05/11											
ANGULAR TOL		±	0.5°	APPR: MBANAKIS 2015/09/18											
DRAFT WHERE APPLICABLE MUST REMAIN WITHIN DIMENSIONS				THIRD ANGLE PROJECTION		DRAWING		SERIES		MATERIAL NUMBER		CUSTOMER		SHEET NUMBER	
				C-SIZE		173162		SEE SHEET 1		GENERAL MARKET		7 OF 8			

molex

NANO PITCH I/O FIXED 25G
VERTICAL 8X

PRODUCT CUSTOMER DRAWING

DOCUMENT NUMBER: SD-173162-0002
DOC TYPE: PSD
DOC PART: 001
REVISION: E2

