

Light is OSRAM

15.10.2020

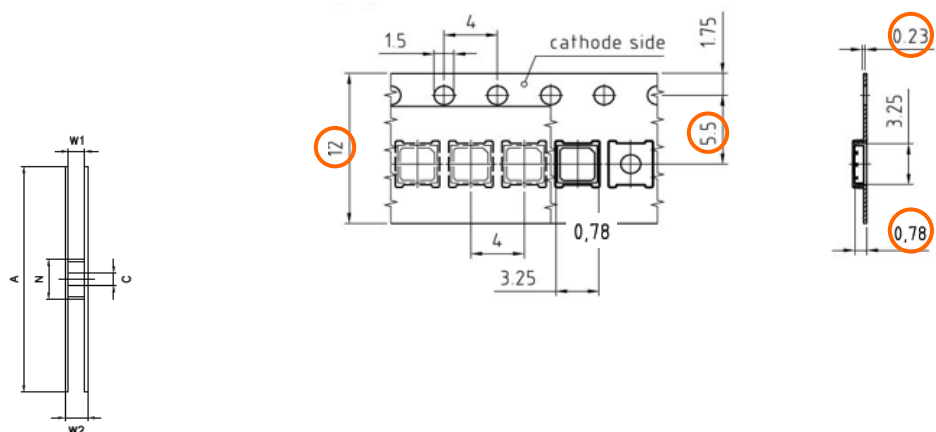
OS-IN-2020-034 DURIS® S 5 Tape and Reel Update

Objective DURIS® S 5 tape & reel dimensions and quantity per reel updates.

Products affected	GA PSLM31.23	GR PSLM31.23	GW PSLM32.UL
	GA PSLR31.13	GR PSLR31.13	GW PSLR31.FM
	GB PSLM31.13	GT PSLM31.13	GW PSLR31.EM
	GD PSLM31.14	GT PSLR31.13	GW PSLR31.PM
	GD PSLR31.13	GW PSLM31.FM	GW PSLR32.EM
	GP PSLM31.14	GW PSLM31.UL	GY PSLM31.13
	GP PSLR31.14	GW PSLM31.WB	

Background Update of product datasheet tape and reel dimensions and quantity per reel with no impact to the technical specifications of the devices.

Current Tape and Reel

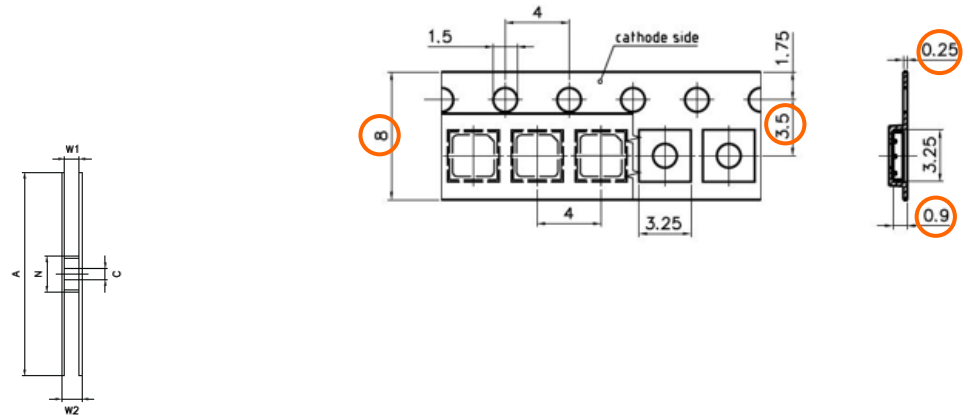


Realization

Reel Dimensions

A	W	N_{min}	W_1	W_{2max}	Pieces per PU
180 mm	12 +0.3 / -0.1 mm	60 mm	12.4 +2 mm	18.4 mm	3000

New Tape and Reel



Reel Dimensions

A	W	N_{\min}	W_1	$W_{2\max}$	Pieces per PU
180 mm	8 + 0.3 / -0.1 mm	60 mm	8.4 + 2 mm	14.4 mm	4500

Time Schedule

Start of change: CW45/2020

Assessment

The updated product datasheets will be available progressively on OSRAM OS homepage.

Please direct your inquiry to your local Sales office.

OSRAM Opto Semiconductors
GmbH

Head Office:

Leibnizstrasse 4
93055 Regensburg, Germany
Phone +49 941 850-5
Fax +49 941 850-1002
www.osram-os.com

OSRAM
Opto Semiconductors