

10/100BASE-TX QUAD-PORT TRANSFORMER MODULES

Ruggedized



- Compliant with IEEE 802.3u and ANSI X3.263 standards
- 350µH OCL with 8mA bias
- Operating and storage temperature:
 - 100B-4005: -40°C to +85°C
 - 100B-4005X: -55°C to +125°C
- IC grade transfer-molded package withstands 235°C peak temperature profile
- Max Reflow Temperature: 235°C Moisture
- Sensitivity Level: 3

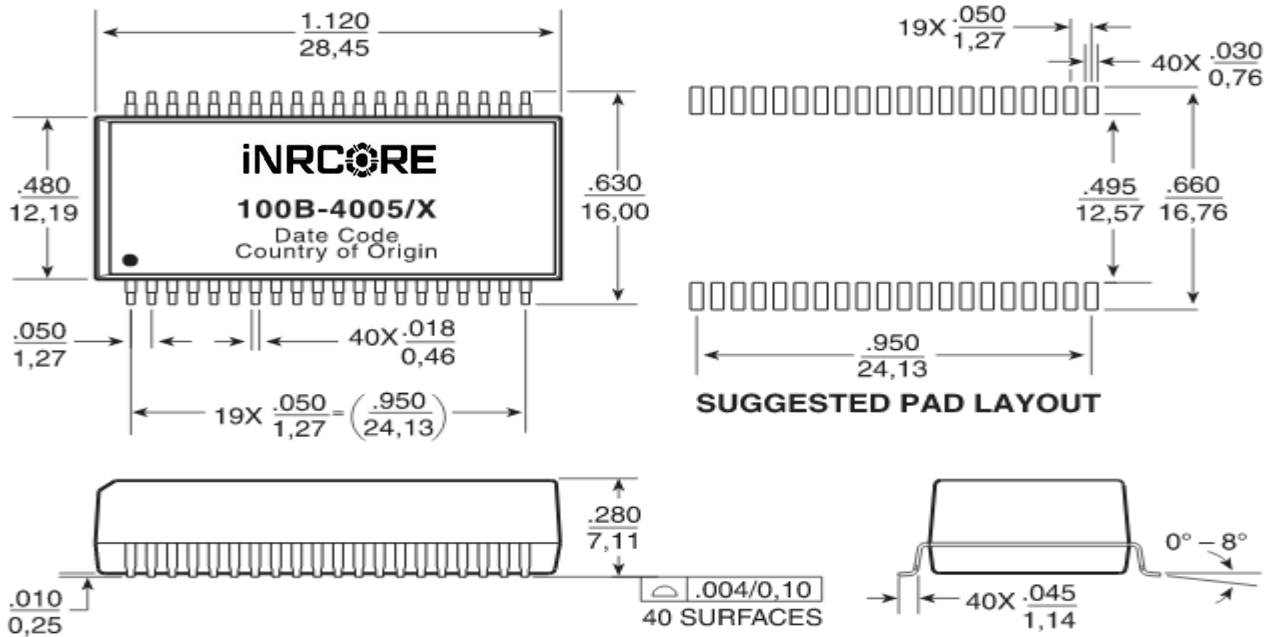
Electrical Specifications @ 25°C

Part Number	Insertion Loss (dB MIN)	Return Loss (dB MAX)				Crosstalk (dB MAX)				Differential to Common Mode Rejection (dB MAX)		
	0.1-100MHz	2-30MHz	50 MHz	60 MHz	80 MHz	16 MHz	30 MHz	60 MHz	80 MHz	0.1-30 MHz	30-60 MHz	60-100MHz
100B-4005	-1.00	-18	-14	-12	-12	-54	-50	-46	-44	TX: -49 RX: -52	TX: -44 RX: -49	TX: -40 RX: -42
100B-4005X	-1.20	-18	-14	-12	-10	-48	-42	-38	-33	TX: -45 RX: -45	TX: -40 RX: -40	TX: -38 RX: -35

Note: Add suffix NL for RoHS compliant part i.e. 100B-4005XNL

Mechanical

100B-4005/X



Weight 4.0 grams TYP
 Tape and Reel250/reel
 Tray 15/tray

Dimensions: Inches
 mm
 Unless otherwise specified, all tolerances are $\pm .010$
 0,25



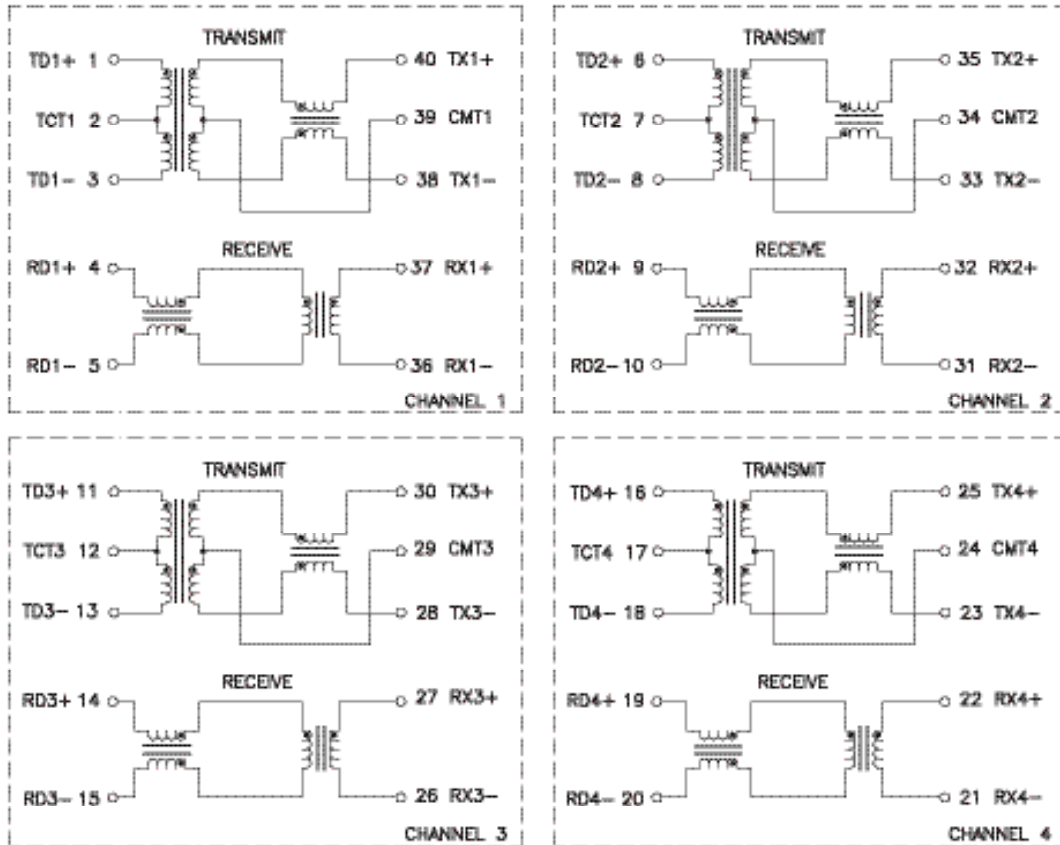
10/100BASE-TX QUAD-PORT TRANSFORMER MODULES

Ruggedized

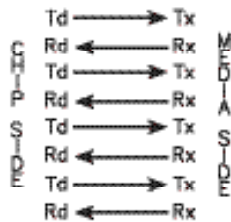


Schematic

100B-4005/X



LEGEND



ALL CHANNELS IN PHASE INPUT TO OUTPUT

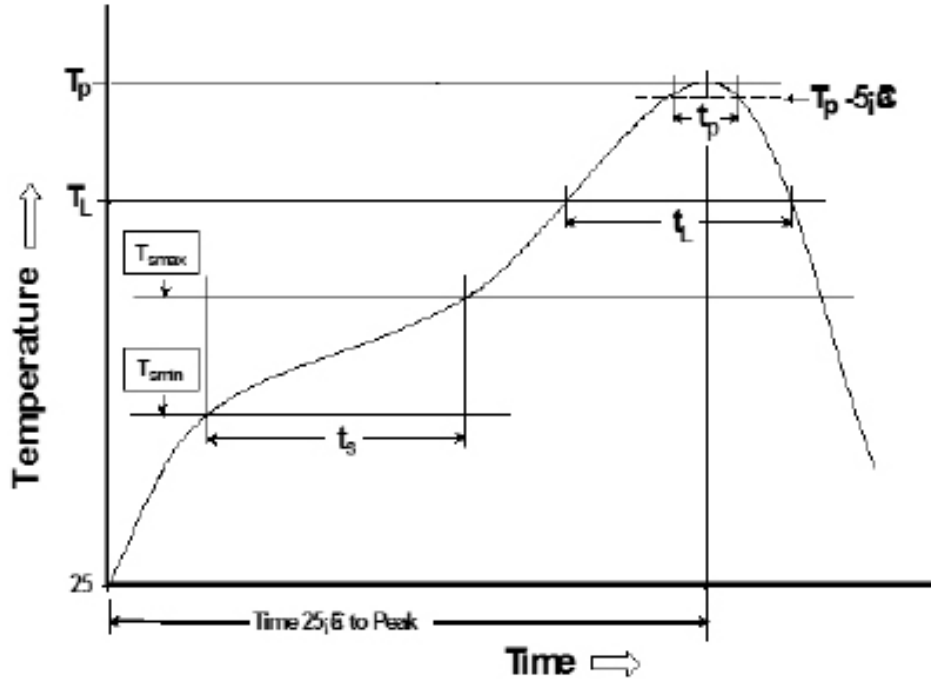


10/100BASE-TX QUAD-PORT TRANSFORMER MODULES

Ruggedized



Tin/Lead Recommended Reflow Profile (Based on J-STD-020D)



T_{SMIN} (°C)	T_{SMAX} (°C)	T_L (°C)	T_p (°C MAX)	t_s (s)	t_L (s)	t_p (s MAX)	Ramp-up rate (T_L to T_p)	Ramp-down rate (T_p to T_L)	Time 25°C to peak temperature (s MAX)
100	150	183	235	60-120	60-150	20	3°C/s MAX	6°C/s MAX	360

Notes:

1. All temperatures measured on the package leads.
2. Maximum times of reflow cycle: 2.

For More Information

iNRCORE, LLC
 311 Sinclair Road Bristol,
 PA 19007-6812 U.S.A
 Tel: + 1.215.781.6400
 Fax: +1.215.7816430

Global Sales Representatives and Locations:
<http://www.inrcore.com>

Performance warranty of products offered on this data sheet is limited to the parameters specified. Data is subject to change without notice. Other brand and product names mentioned herein may be trademarks or registered trademarks of their respective owners. © Copyright, 2020. iNRCORE, LLC. All rights reserved.

