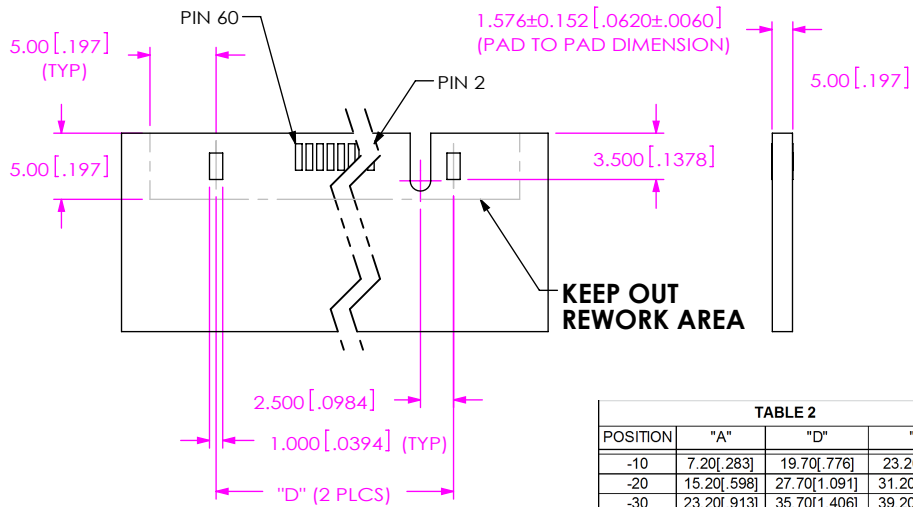
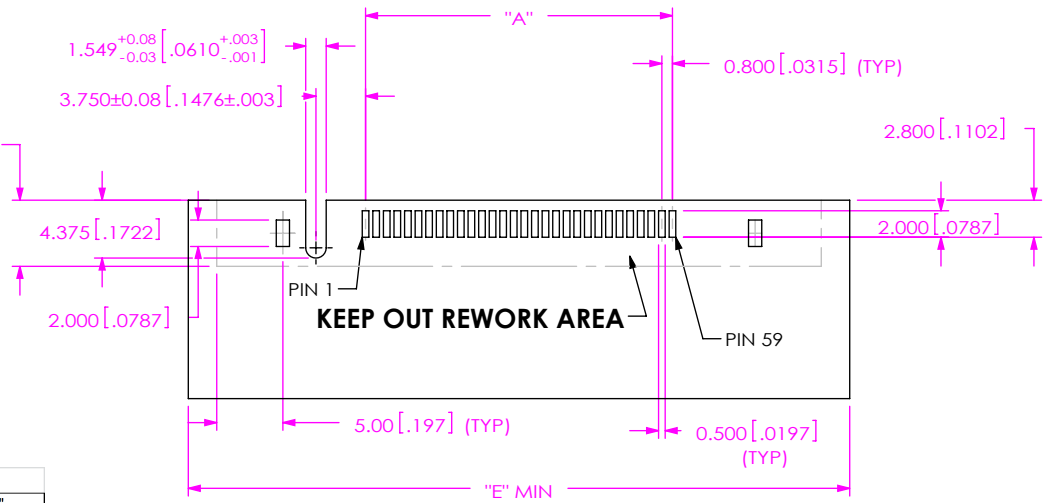


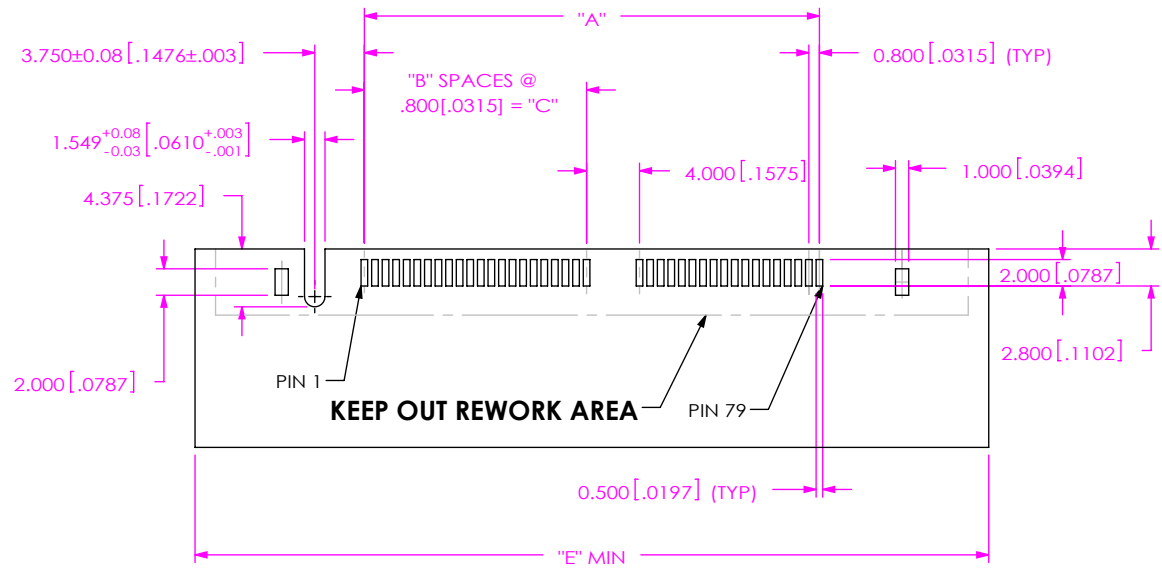
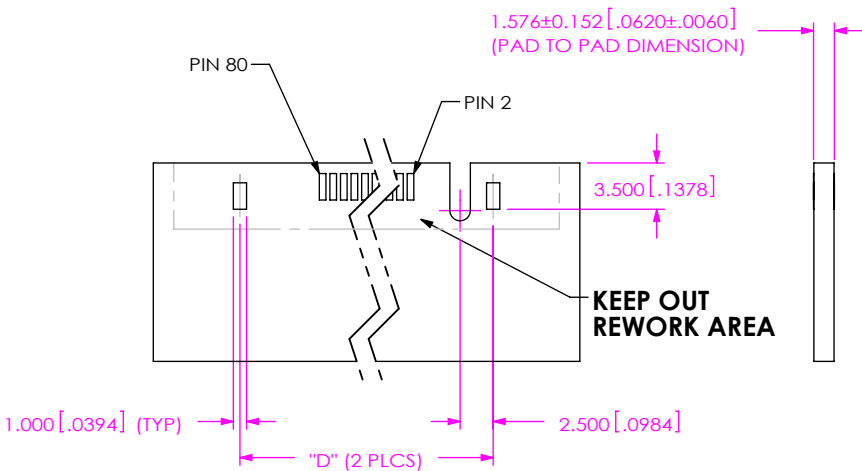
**DESIGNED & DIMENSIONED
IN MILLIMETERS [ENGLISH]**



POSITION	"A"	"D"	"E"
-10	7.20[.283]	19.70[.776]	23.20[.913]
-20	15.20[.598]	27.70[1.091]	31.20[1.228]
-30	23.20[.913]	35.70[1.406]	39.20[1.543]



-30 POSITION SHOWN
(USE FOR -10, -20 & -30 POSITIONS)



-40 POSITION SHOWN
(USE FOR -13, -25, -37, -40, -49, -50, & -60 POSITIONS)

POSITION	"A"	"B"	"C"	"D"	"E"
-13	12.80[.504]	5	4.00[.157]	25.30[.996]	28.80[1.134]
-25	22.40[.882]	5	4.00[.157]	34.90[1.374]	38.40[1.512]
-37	32.00[1.260]	20	16.00[.630]	44.50[1.752]	48.00[1.890]
-40	34.40[1.354]	21	16.80[.661]	46.90[1.847]	50.40[1.984]
-49	41.60[1.638]	26	20.80[.819]	54.10[2.130]	57.60[2.268]
-50	42.40[1.669]	26	20.80[.819]	54.90[2.161]	58.40[2.300]
-60	50.40[1.984]	31	24.80[.976]	62.90[2.476]	66.40[2.614]



UNLESS OTHERWISE SPECIFIED,
DIMENSIONS ARE IN MILLIMETERS.
TOLERANCES ARE:
DECIMALS: ±.3[.01]
.XX: ±.10[.004]
.XXX: ±.05[.0020]
ANGLES: ±5°

PROPRIETARY NOTE
THIS DOCUMENT CONTAINS CONFIDENTIAL AND PROPRIETARY INFORMATION AND ALL DESIGN, MANUFACTURING, REPRODUCTION, USE, PATENT RIGHTS AND SALES RIGHTS ARE EXPRESSLY RESERVED BY SAMTEC, INC. THIS DOCUMENT SHALL NOT BE DISCLOSED, IN WHOLE OR PART, TO ANY UNAUTHORIZED PERSON OR ENTITY NOR REPRODUCED, TRANSFERRED OR INCORPORATED IN ANY OTHER PROJECT IN ANY MANNER WITHOUT THE EXPRESS WRITTEN CONSENT OF SAMTEC, INC.



520 PARK EAST BLVD, NEW ALBANY, IN 47150
PHONE: 812-944-6733 FAX: 812-948-5047
e-Mail info@SAMTEC.com code 55322

**DESIGNED & DIMENSIONED
IN MILLIMETERS [ENGLISH]**

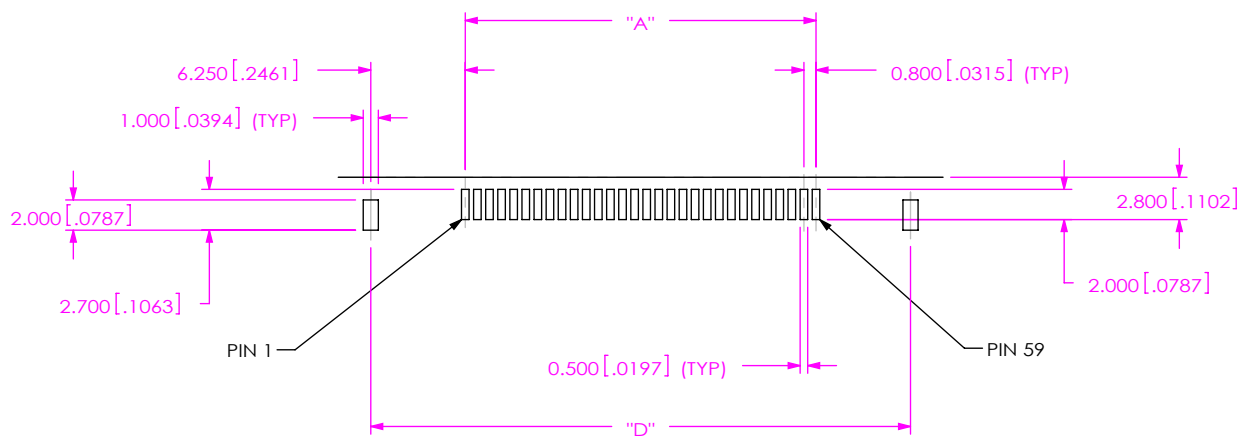


TABLE 4

POSITION	"A"	"D"
-10	7.20[.283]	19.70[.776]
-20	15.20[.598]	27.70[1.091]
-30	23.20[.913]	35.70[1.406]

-30 POSITION SHOWN
(USE FOR -10, -20 & -30 POSITIONS)

- NOTES:
 1. MIRROR IMAGE FOOTPRINT ON OTHER SIDE OF PCB.
 2. STENCIL TO BE 0.152[.0060] THICK.

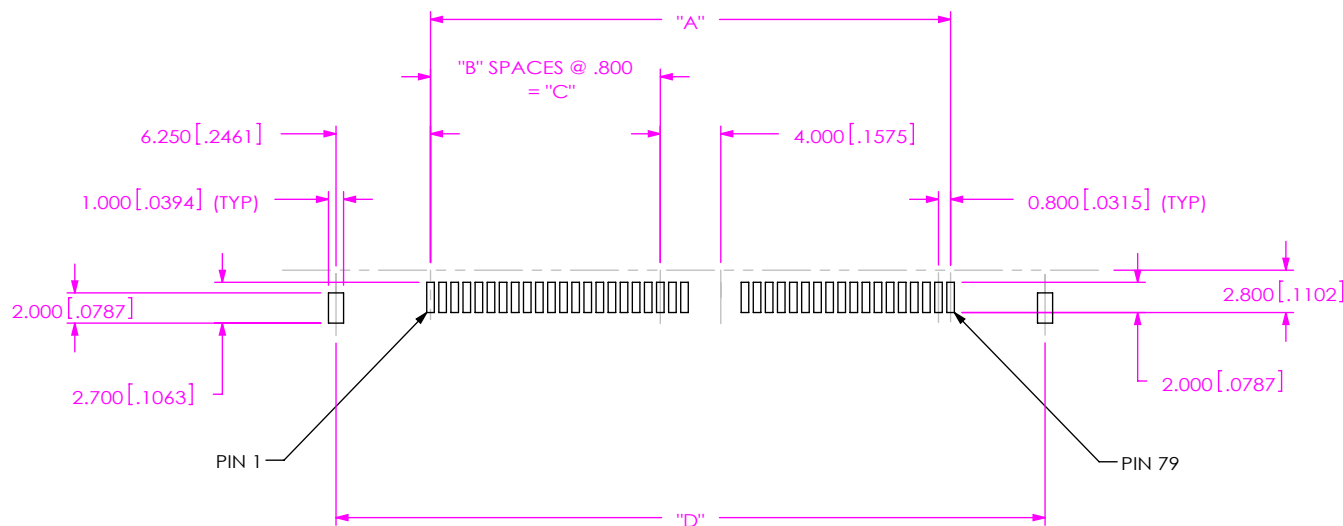


TABLE 3

POSITION	"A"	"B"	"C"	"D"
-13	12.80[.504]	5	4.00[.157]	25.30[.996]
-25	22.40[.882]	5	4.00[.157]	34.90[1.374]
-37	32.00[1.260]	20	16.00[.630]	44.50[1.752]
-40	34.40[1.354]	21	16.80[.661]	46.90[1.847]
-49	41.60[1.638]	26	20.80[.819]	54.10[2.130]
-50	42.40[1.669]	26	20.80[.819]	54.90[2.161]
-60	50.40[1.984]	31	24.80[.976]	62.90[2.476]

-40 POSITION SHOWN
(USE FOR -13, -25, -37, -40, -49, -50, & -60 POSITIONS)

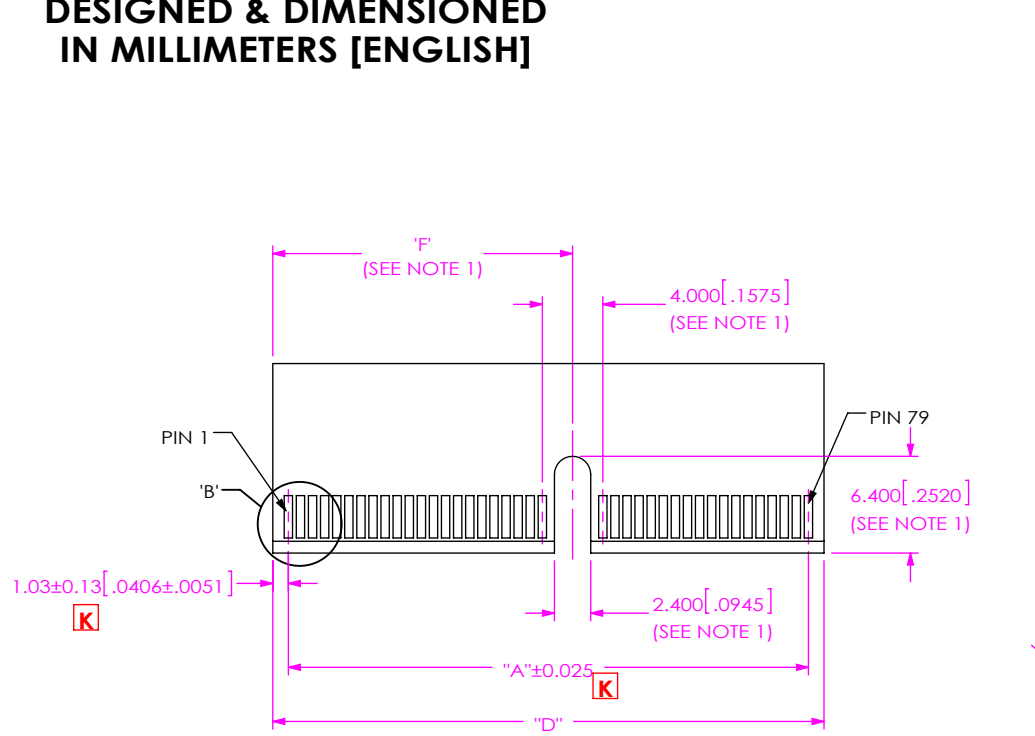
- NOTES:
 1. MIRROR IMAGE FOOTPRINT ON OTHER SIDE OF PCB.
 2. STENCIL TO BE 0.152[.0060] THICK.

PROPRIETARY NOTE
 THIS DOCUMENT CONTAINS CONFIDENTIAL AND PROPRIETARY INFORMATION AND ALL DESIGN, MANUFACTURING, REPRODUCTION, USE, PATENT RIGHTS AND SALES RIGHTS ARE EXPRESSLY RESERVED BY SAMTEC, INC. THIS DOCUMENT SHALL NOT BE DISCLOSED, IN WHOLE OR PART, TO ANY UNAUTHORIZED PERSON OR ENTITY NOR REPRODUCED, TRANSFERRED OR INCORPORATED IN ANY OTHER PRODUCT IN ANY MANNER WITHOUT THE EXPRESS WRITTEN CONSENT OF SAMTEC, INC.



520 PARK EAST BLVD, NEW ALBANY, IN 47150
 PHONE: 812-944-6733 FAX: 812-948-5047
 e-Mail info@SAMTEC.com code 55322

**DESIGNED & DIMENSIONED
IN MILLIMETERS [ENGLISH]**



-40 POSITION SHOWN

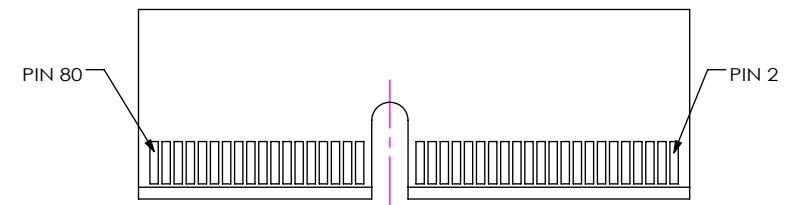
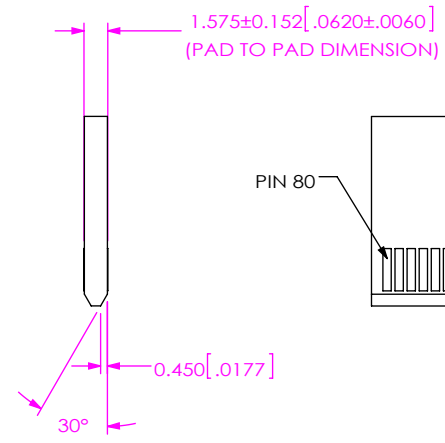
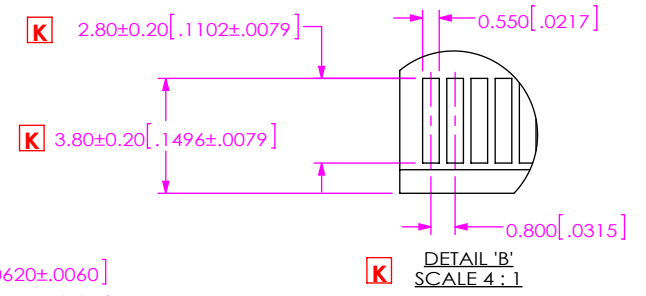
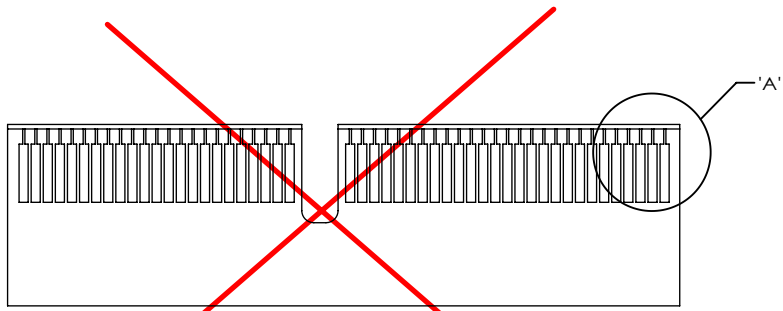
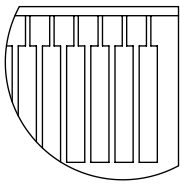


TABLE 5

POSITION	"A"	"D"	"F"
-10	7.200 [.2835]	9.25 [.364]	N/A
-13	12.800 [.5039]	14.85 [.585]	7.03 [.277]
-20	15.200 [.5984]	17.25 [.679]	N/A
-25	22.400 [.8819]	24.45 [.963]	7.03 [.277]
-30	23.200 [.9134]	25.25 [.995]	N/A
-37	32.000 [1.2598]	34.05 [1.341]	19.03 [.749]
-40	34.400 [1.3543]	36.45 [1.435]	19.83 [.781]
-49	41.600 [1.6378]	43.65 [1.719]	23.83 [.938]
-50	42.400 [1.6693]	44.45 [1.750]	23.83 [.938]
-60	50.400 [1.9843]	52.45 [2.065]	27.83 [1.096]



SEE NOTE 4

NOTES:

- 10, -20 AND -30 CARDS HAVE NO SLOT.
- ALL DIMENSIONS ARE SYMMETRIC ABOUT THE CENTERLINE.
- PLATING BUS TIES FOR EDGE FINGERS TO BE THE WIDTH OF THE EDGE FINGER.
- FOR PROPER CONTACT REGISTRATION, PLATING BUS TIE TO BE THE WIDTH OF THE EDGE FINGER.
- PLATING TO BE .000030 INCHES GOLD WITH A HARDNESS OF 130-200 KNOOP PER ASTM B 488 TYPE 2, GRADE C.

PROPRIETARY NOTE
THIS DOCUMENT CONTAINS CONFIDENTIAL AND PROPRIETARY INFORMATION AND ALL DESIGN, MANUFACTURING, REPRODUCTION, USE, PATENT RIGHTS AND SALES RIGHTS ARE EXPRESSLY RESERVED BY SAMTEC, INC. THIS DOCUMENT SHALL NOT BE DISCLOSED, IN WHOLE OR PART, TO ANY UNAUTHORIZED PERSON OR ENTITY NOR REPRODUCED, TRANSFERRED OR INCORPORATED IN ANY OTHER PROJECT IN ANY MANNER WITHOUT THE EXPRESS WRITTEN CONSENT OF SAMTEC, INC.



520 PARK EAST BLVD, NEW ALBANY, IN 47150
PHONE: 812-944-6733 FAX: 812-948-5047
e-Mail info@SAMTEC.com code 55322
SHEET 3 OF 3