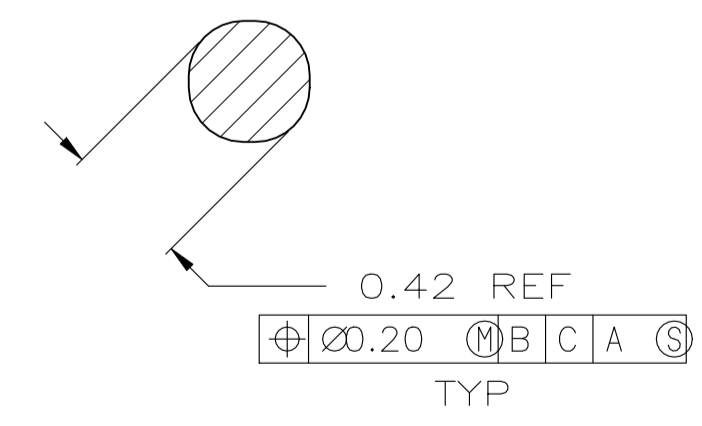
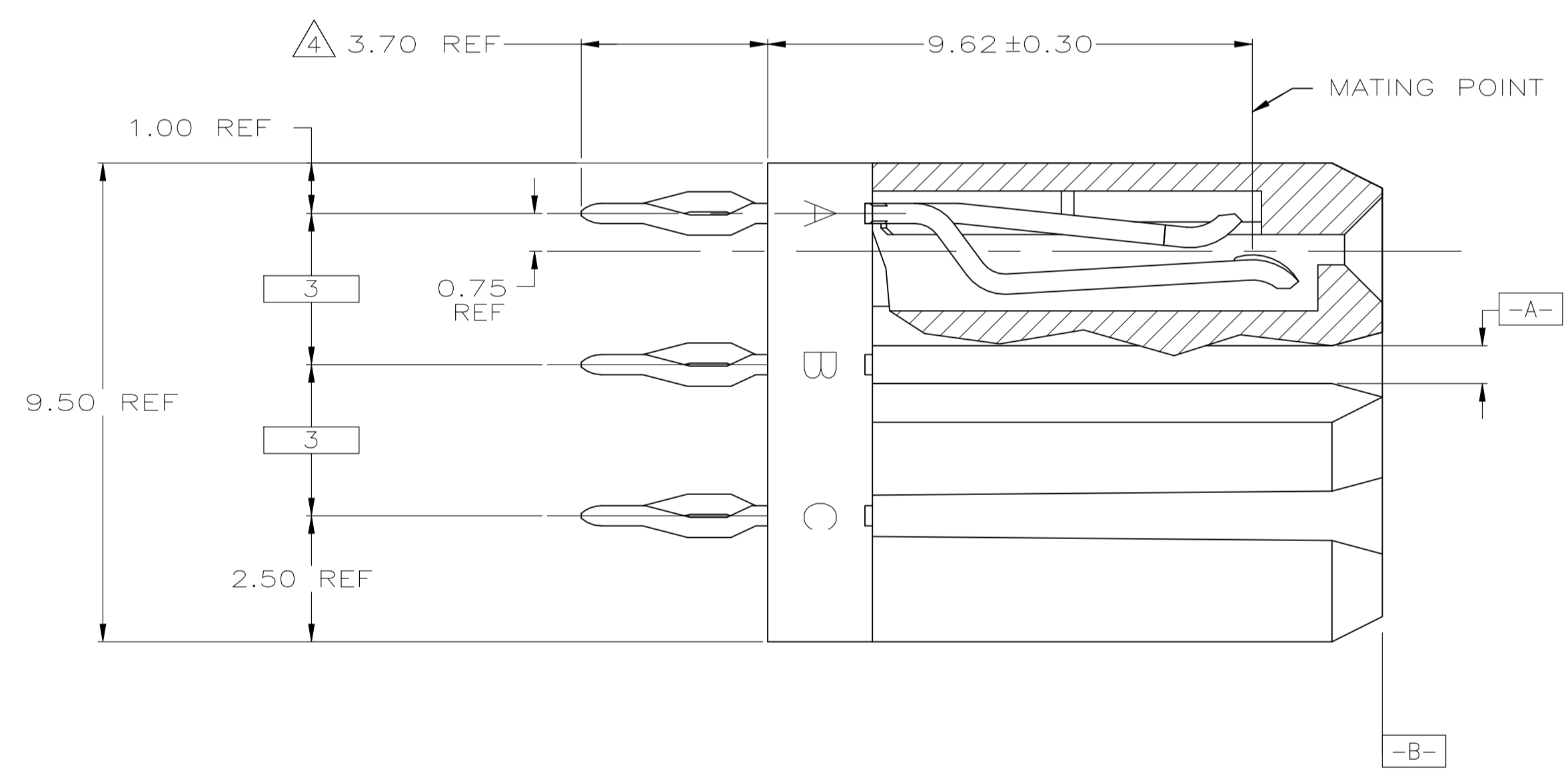
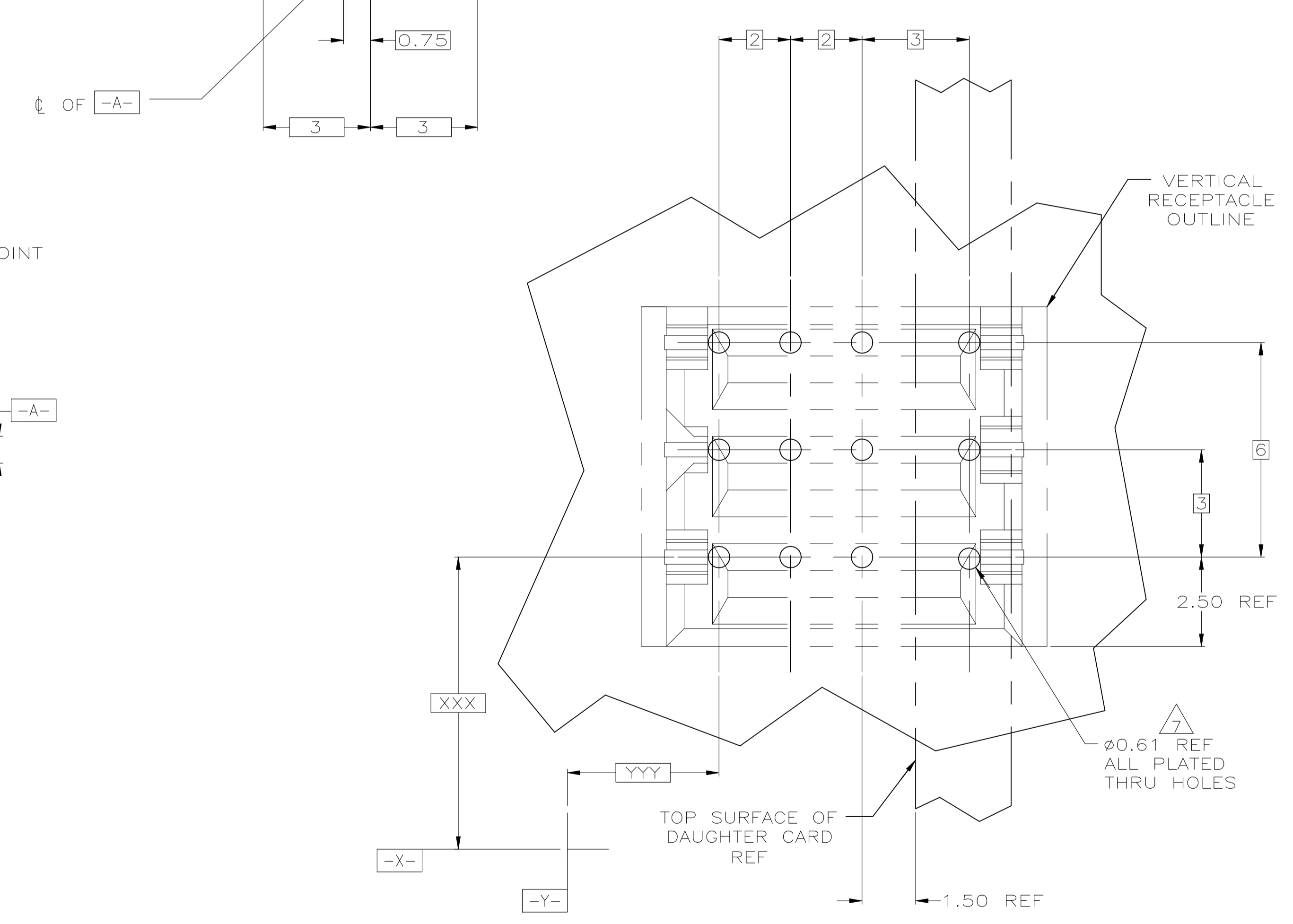


- 1 MATERIAL: HOUSING: POLYESTER. COLOR: GRAY. 94V-0. CONTACT: PHOSPHOR BRONZE.
- 2 FINISH: IN ACCORDANCE WITH PRODUCT SPECIFICATION 108-1651. GOLD PLATING OR EQUIVALENT PLATING ON PRODUCT CONTACT MATING AREA, AND MATTE TIN PLATING ON COMPLIANT PIN AREA, ALL OVER MATTE NICKEL UNDERPLATED. DETAIL PLEASE REFER TO PRODUCT SPECIFICATION 108-1651.
- 3 FINISH: CONTACT LUBRICATION WITH BELLCORE APPROVED LUBRICANT. TECHNICAL REFERENCE: TR-NWT-001217 ISSUE 1, SEPT 1992.
- 4 TOLERANCE TO BE ±0.28 AFTER CONNECTOR IS APPLIED TO P.C. BOARD.
- 5 RESTRICTED PART NUMBER, CONTACT ENGINEERING.
- 6 MATERIAL: HOUSING: POLYESTER. COLOR: GRAY. 94V-0. CONTACT: HIGH CURRENT COPPER ALLOY
- 7 REFERENCE APPLICATION SPEC 114-1103 FOR RECOMMENDED PLATED THRU HOLE DIAMETER AND PLATING THICKNESS.
- 8 CURRENT RATING 10A/CONTACT FOR PHOS BRONZE CONTACTS AND 16A/CONTACT FOR HIGH CURRENT COPPER ALLOY CONTACTS PER PRODUCT SPEC 108-1651.
- 9 P/N 5-5223955-5 SAME AS P/N 5-5223955-2, DIFFERENT TRAY PACKAGE FOR GRIPPER.



SECTION W-W
SCALE 40:1



RECOMMENDED PCB HOLE LAYOUT

HALOGEN STATE	DESCRIPTION	MATERIAL & FINISH	PART NUMBER
HALOGEN-FREE	UPM HC POWER	1, 2, 3, 6	5-5223955-6
HALOGEN	UPM HC POWER	9, 2, 3, 6	5-5223955-5
HALOGEN	UPM HC POWER	2, 3, 6	5-5223955-2
HALOGEN-FREE	UPM STD POWER	1, 2, 3	5223955-6
HALOGEN	UPM STD POWER	1, 2, 3, 6	5223955-8
HALOGEN	UPM STD POWER	1, 2, 3	5223955-2

THIS DRAWING IS A CONTROLLED DOCUMENT.	
DIMENSIONS: mm	TOLERANCES UNLESS OTHERWISE SPECIFIED:
0. PLC ± -	1. PLC ± 0.3
1. PLC ± 0.3	2. PLC ± 0.13
2. PLC ± 0.13	3. PLC ± 0.100
3. PLC ± 0.100	4. PLC ± - 5'
4. PLC ± - 5'	ANGLES

DIN E CARBO 10DEC04	10DEC04	TE Connectivity
CHK R PATTERSON	10DEC04	
APP'D R PATTERSON	10DEC04	NAME
PRODUCT SPEC	108-1651	VERTICAL RECEPTACLE POWER CONNECTOR UNIVERSAL POWER MODULE
APPLICATION SPEC	114-1103	SIZE
WEIGHT	A1	CAGE CODE
CUSTOMER DRAWING	00779	DRAWING NO
SCALE 10:1	1	SHEET 1 of 1
REV	P3	RESTRICTED TO