

NIS5101

SMART HotPlug™ IC/Inrush Limiter/Circuit Breaker

The SMART HotPlug Integrated Circuit combines the control function and power FET into a single IC that saves design time and reduces the number of components required for a complete hot swap application. It is designed to allow safe insertion and removal of electronic equipment to -48 V backplanes. This chip features simplicity of use combined with an integrated solution.

The SMART HotPlug includes user selectable undervoltage and overvoltage lockout levels. It also has adjustable current limiting that can be reduced from the maximum level with a single resistor. Operation at the maximum current level requires no extra external components. An internal temperature shutdown circuit greatly increases the reliability of this device.

Features

- Integrated Power Device
- 100 V Operation
- Thermal Limit Protection
- Adjustable Current Limit
- No External Current Shunt Required
- Undervoltage and Overvoltage Lockouts
- 6.5 A Continuous Operation
- UIS Rated
- Main/Mirror MOSFET Current Ratio 820:1
- Pb-Free Packages are Available

Typical Applications

- VoIP (Voice over Internet Protocol) Servers
- -48 V Telecom Systems
- +24 V Wireless Base Station Power
- Central Office Switching
- Electronic Circuit Breaker

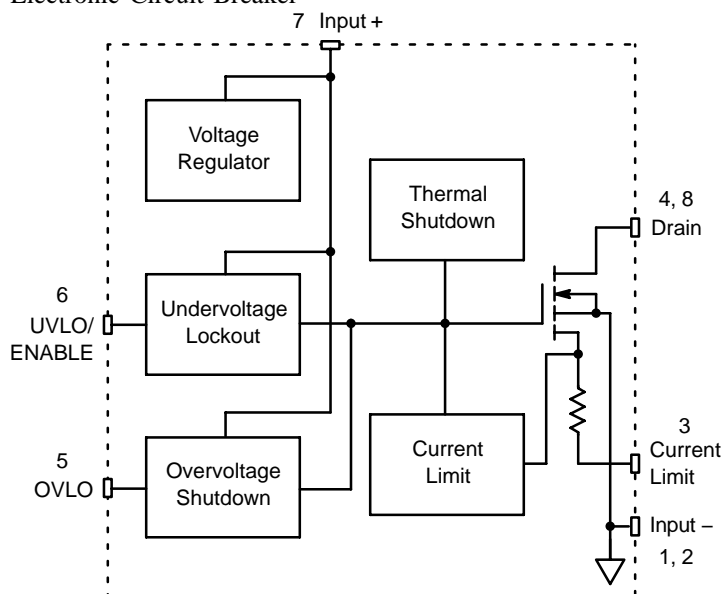


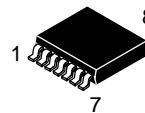
Figure 1. Block Diagram



ON Semiconductor®

<http://onsemi.com>

MARKING DIAGRAM



S-PAK
EX SUFFIX
CASE 553AA



X = 1 for Thermal Latch or
2 for Thermal Auto-retry
A = Assembly Location
Y = Year
WW = Work Week
G = Pb-Free Device

ORDERING INFORMATION

Device	Package	Shipping†
NIS5101E1T1	S-PAK Latch Off	2000 Units/Reel
NIS5101E1T1G	S-PAK Latch Off (Pb-Free)	2000 Units/Reel
NIS5101E2T1	S-PAK Auto-Retry	2000 Units/Reel
NIS5101E2T1G	S-PAK Auto-Retry (Pb-Free)	2000 Units/Reel

†For information on tape and reel specifications, including part orientation and tape sizes, please refer to our Tape and Reel Packaging Specification Brochure, BRD8011/D.

NIS5101

PIN FUNCTION DESCRIPTION

Pin	Symbol	Description
1, 2	Input –	Negative input voltage to the device. This is used as the internal reference for the IC.
3	Current Limit	This pin is shorted to the Input – pin for maximum current limit setting. If a reduced current limit level is desired, a series resistor is added between this pin and the Input – pin.
4, 8	Drain	Drain of power FET, which is also the switching node for the load.
5	OVLO	The overvoltage shutdown point is programmed by a resistor from this pin to the Input + supply.
6	UVLO/ENABLE	A resistor from Input + to the UVLO pin adjusts the voltage at which the device will turn on. An open drain device can be connected to this pin, which will inhibit operation, when in its low impedance state.
7	Input +	Positive input voltage to the device.

MAXIMUM RATINGS

Rating	Symbol	Value	Unit
Input Voltage, Operating (Input + to Input –) Transient (1 second) Steady-State	V_{in}	–0.3 to 110 –0.3 to 100	V
Drain Voltage, Operating (Drain to Input –) Transient (1 second) Steady-State	V_{DD}	–0.3 to 110 –0.3 to 100	V
Drain Current, Continuous ($T_A = 25^\circ\text{C}$, 2.0 in ² Cu, double-sided board, 1 oz.)	I_{Davg}	6.5	A
Operating Temperature Range	T_j	–40 to 145	°C
Non-Operating Temperature Range	T_j	–55 to 175	°C
Lead Temperature, Soldering (10 Seconds)	T_L	260	°C
Drain Current, Peak (Internally Limited)	I_{pk}	20	A
Thermal Resistance, Junction-to-Air 0.5 in ² copper 1.0 in ² copper	$R_{\theta JA}$	75 43	°C/W
Power Dissipation @ $T_A = 25^\circ\text{C}$ 0.5 in ² copper 1.0 in ² copper	P_{max}	1.4 2.4	W
ESD Immunity for Device Handling (All Pins)	HBM JESD22-A114-B	2.0	kV
ESD Immunity Board Level (Note 1)	IEC 61000-4-2 (Level 3)	6.0	kV
Lightning, Surge (8 x 20 μsec) (Note 1)	IEC 61000-4-5 (Level 3)	2.0	kV
		48	A

Stresses exceeding Maximum Ratings may damage the device. Maximum Ratings are stress ratings only. Functional operation above the Recommended Operating Conditions is not implied. Extended exposure to stresses above the Recommended Operating Conditions may affect device reliability.

1. Applied between Input + and Input – pins only, and using an external 68 V bi-directional TVS device (P6SMB68AT3) connected across these pins.

NIS5101

ELECTRICAL CHARACTERISTICS (T_j = 25°C unless otherwise noted.)

Characteristic	Symbol	Min	Typ	Max	Unit
POWER FET					
Charging Time (Turn-On to Rated Max Current)	t _{chg}	–	5.0	–	ms
ON Resistance	R _{DSon}	–	43	50	mΩ
Zero Gate Voltage Drain Current (V _{DS} = 100 V _{dc} , V _{GS} = 0 V _{dc})	I _{DSS}	–	10	–	μA
Sense Voltage Tolerance (V _{input} = 48 V, Rext _{LIMIT} = 20 Ω)	V _{Sense}	–	3.0	–	%
Output Capacitance (V _{DS} = 48 V _{dc} , V _{GS} = 0 V _{dc} , f = 10 kHz)	–	–	326	–	pF

THERMAL LIMIT

Shutdown Junction Temperature (Note 4)	T _{SD}	125	135	145	°C
Hysteresis (Note 4)	T _{hyst}	35	40	45	°C

OVER/UNDERVOLTAGE

Turn-On Voltage (Rext _{UVLO} = ∞)	V _{on}	41.5	46	50.5	V
Hysteresis (Rext _{UVLO} = ∞)	V _{hyst}	6.3	8.0	9.7	V
Turn-On Voltage (Rext _{UVLO} = 270 kΩ)	V _{on}	29	33	37	V
Hysteresis (Rext _{UVLO} = 270 kΩ)	V _{hyst}	3.5	5.0	6.5	V
Zener Voltage (UVLO Pin Voltage at Turn-On)	V _Z	14.3	16	17.5	V
OVLO Threshold (Input + Increasing, Rext _{OVLO} = ∞)	V _{OV}	100	–	–	V
OVLO Threshold (Input + Increasing, Rext _{OVLO} = 300 kΩ)	V _{OV}	65	74	83	V
OVLO Hysteresis (Input + Decreasing, Rext _{OVLO} = 300 kΩ)	V _{OVhyst}	3.0	4.7	6.4	V

CURRENT LIMIT

Short Circuit Current Limit (Rext _{LIMIT} = 20 Ω) (Note 5)	I _{LIM1}	3.5	4.2	5.0	A
Overload Current Limit (Rext _{LIMIT} = 20 Ω) (Notes 4 and 5)	I _{LIM2}	5.4	6.0	6.6	A

TOTAL DEVICE

Bias Current (Operational) (V _{input} = 48 V, R _{UVLO} = ∞)	I _{Bias}	–	1.4	–	mA
Bias Current (Non-Operational) (V _{input} = 30 V, R _{UVLO} = ∞)	I _{Bias}	–	800	–	μA
Minimum Operating Voltage (R _{UVLO} = 30 kΩ)	V _{in_min}	–	18	–	V

2. Pulse Test: Pulse width 300 μs, duty cycle 2%.
3. Switching characteristics are independent of operating junction temperatures.
4. Verified by design.
5. Please refer to explanation about the device's current limit operation in short circuit and overload conditions.

TYPICAL PERFORMANCE CURVES

($T_A = 25^\circ\text{C}$ unless otherwise noted)

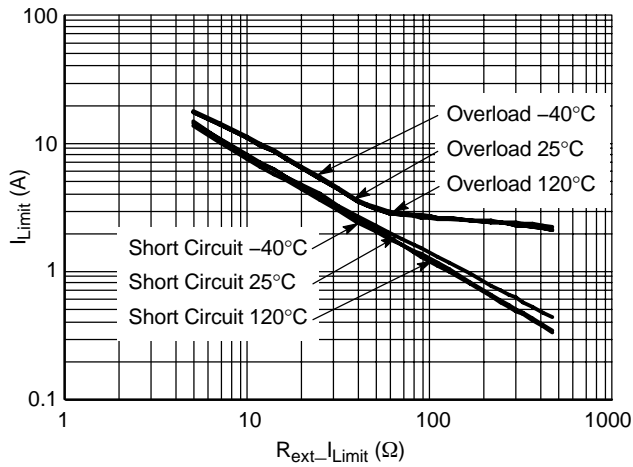


Figure 2. Current Limit Adjustment
(For Main/Mirror MOSFET Current Ratio explanation, see page 11)

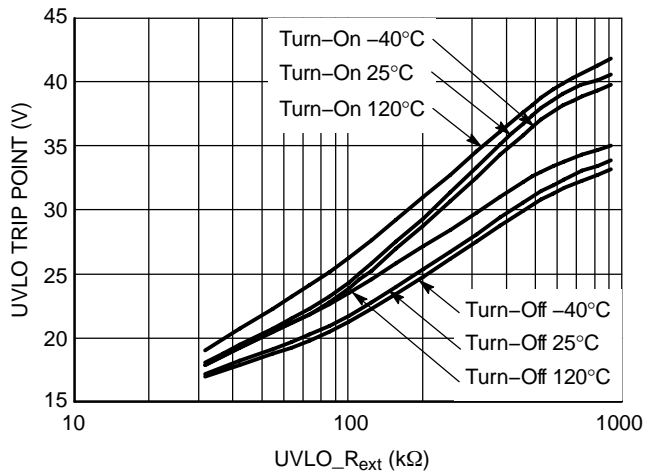


Figure 3. UVLO Adjustment

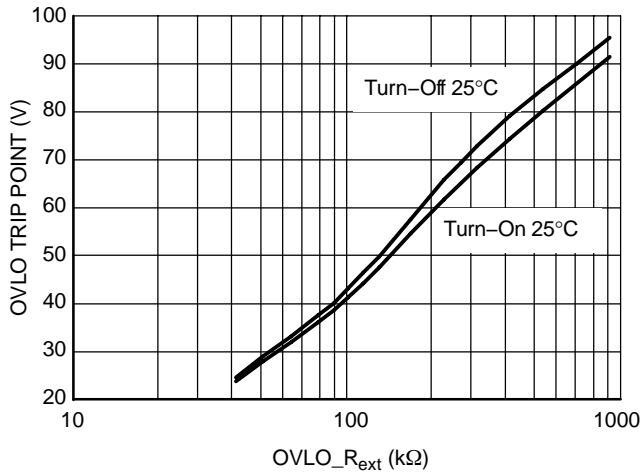


Figure 4. OVLO Adjustment, $T_J = 25^\circ\text{C}$

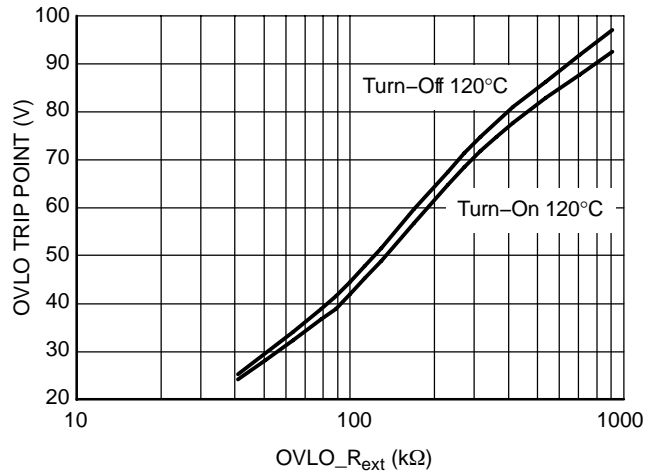


Figure 5. OVLO Adjustment, $T_J = 120^\circ\text{C}$

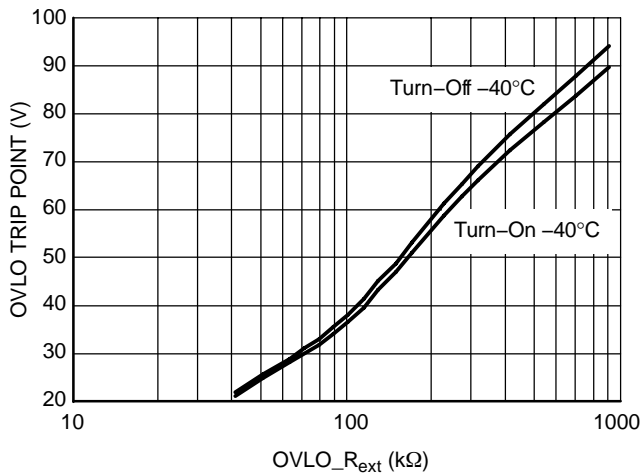


Figure 6. OVLO Adjustment, $T_J = -40^\circ\text{C}$

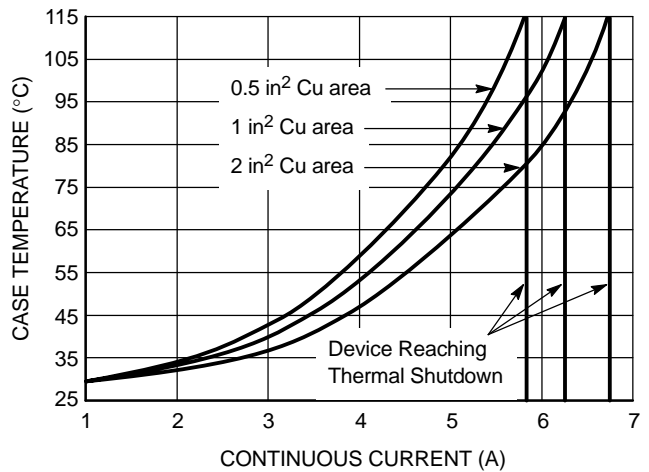


Figure 7. Continuous Current vs. Case Temperature
(Test performed on a double sided copper board, 1 oz)

NIS5101

TYPICAL APPLICATION CIRCUIT & OPERATION WAVEFORMS

($T_A = 25^\circ\text{C}$ unless otherwise noted)

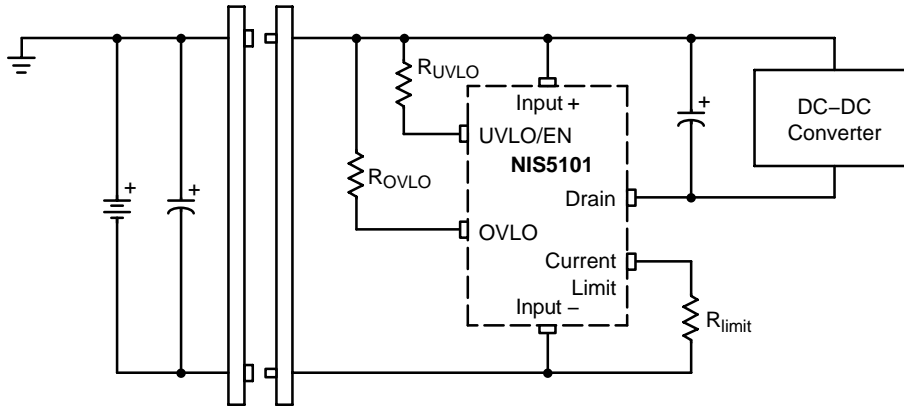


Figure 8. Typical Application

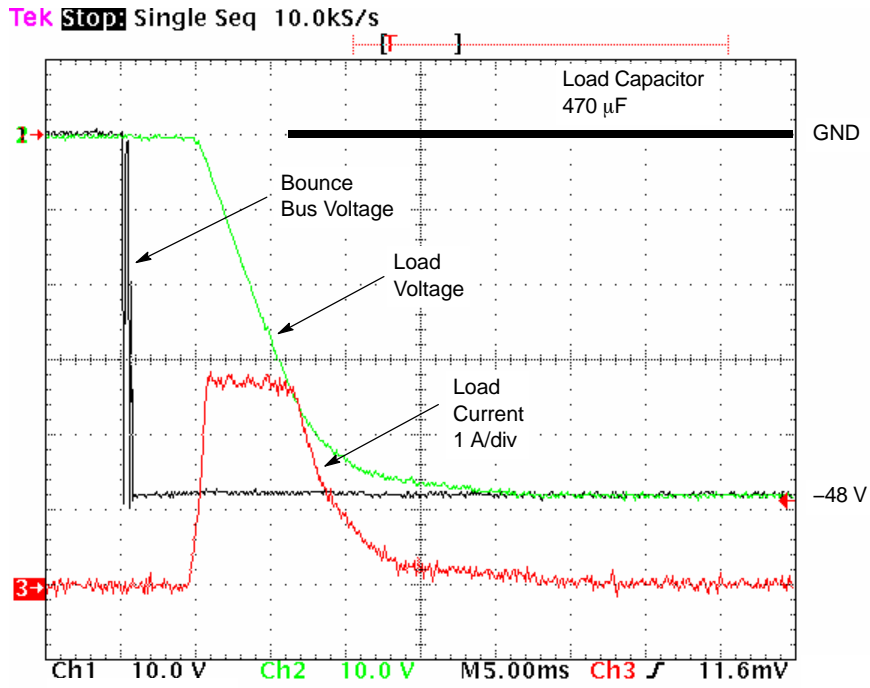


Figure 9. Turn On Waveforms for 470 μF Load Capacitor

NIS5101

Tek Stop: Single Seq 2.50kS/s

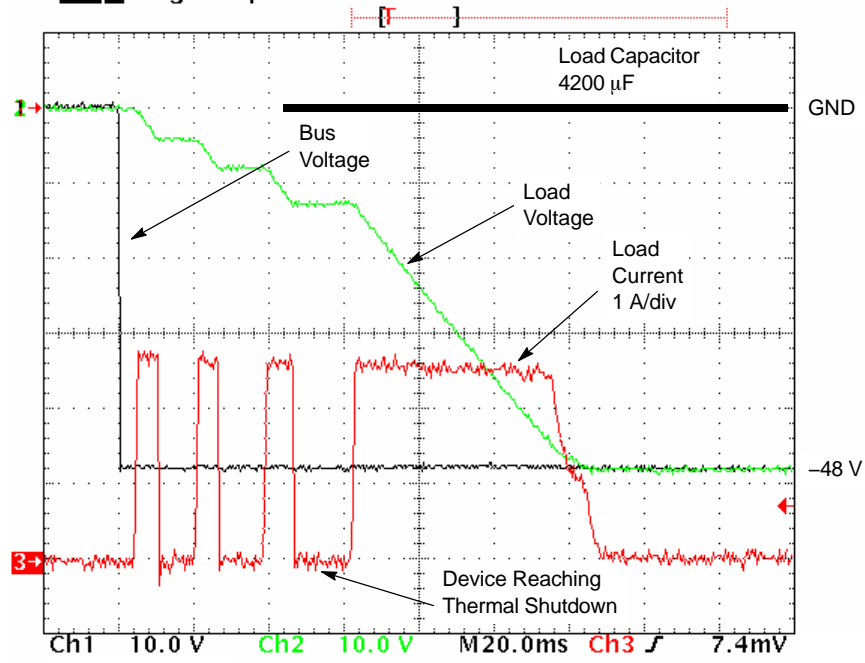


Figure 10. Typical Operation Waveforms of the Auto-Retry Device

Tek Stop: Single Seq 5.00kS/s

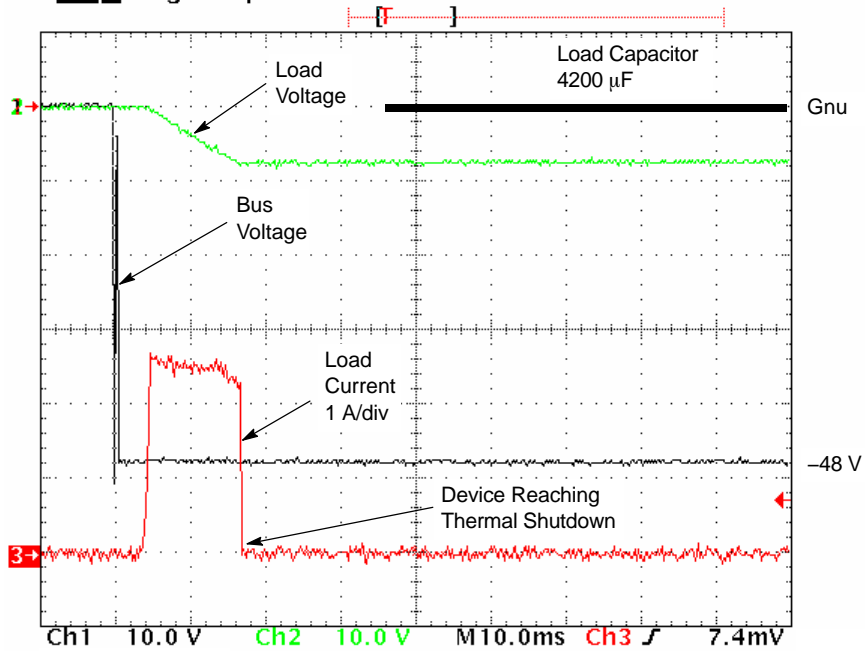


Figure 11. Typical Operation Waveforms of the Latch Off Device

NIS5101

ADDITIONAL APPLICATION CIRCUITS FOR DIFFERENT FUNCTIONS

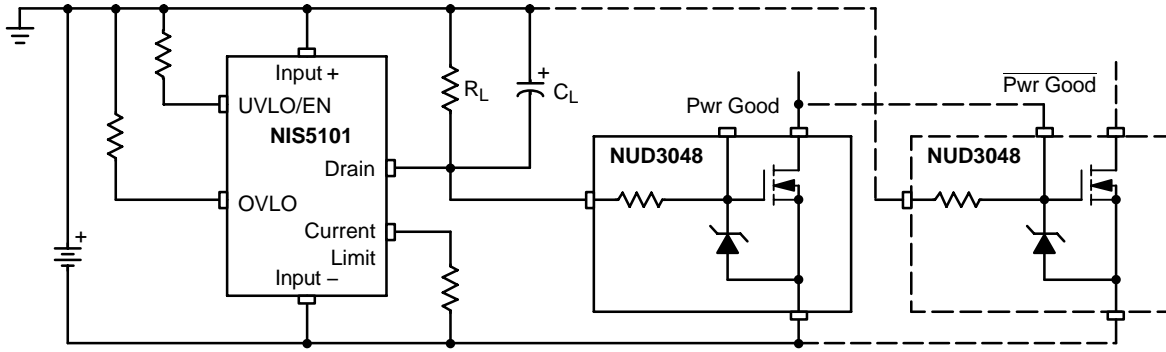


Figure 12. Power Good Signal Circuit

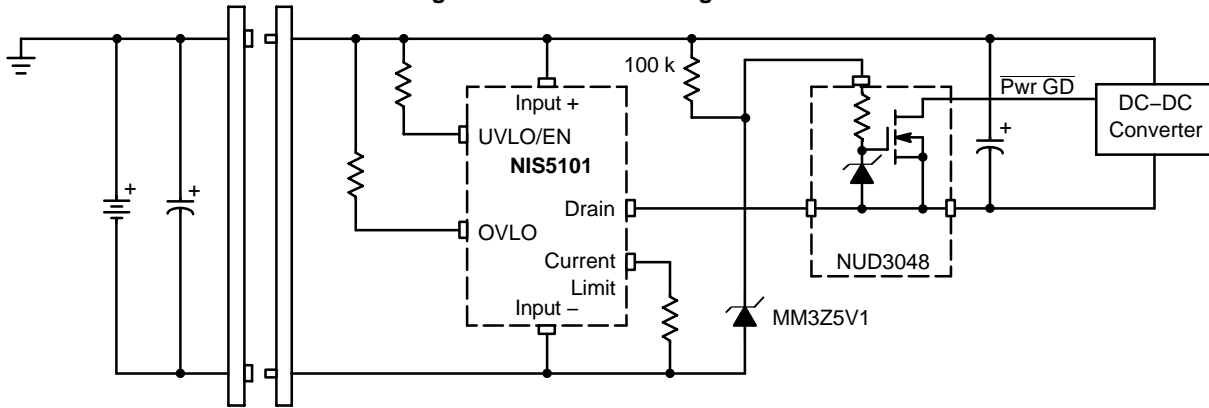


Figure 13. Power Good Signal Referenced to Drain

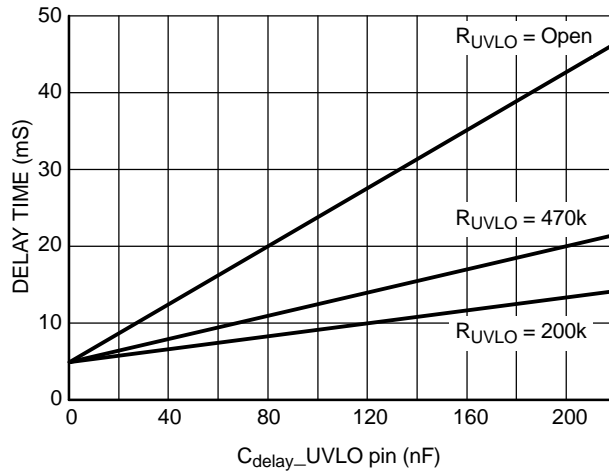
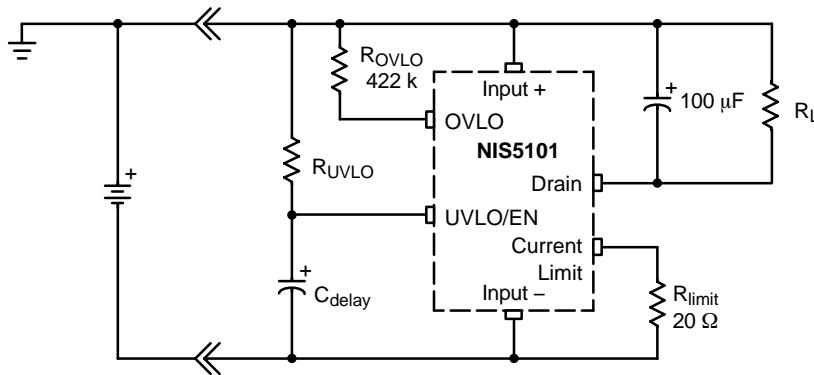


Figure 14. Increased Delay Time Circuit

NIS5101

TYPICAL DEVICE PERFORMANCE FOR DIFFERENT SYSTEM INDUCTANCE VALUES

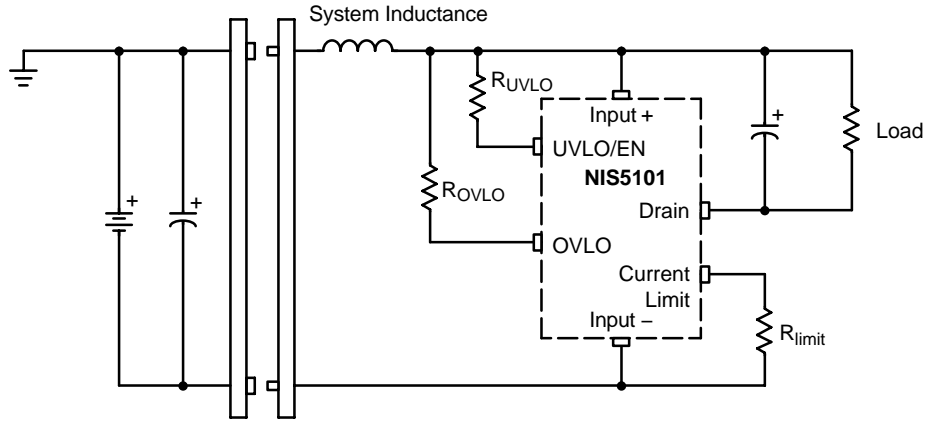


Figure 15. System Inductance Test Circuit

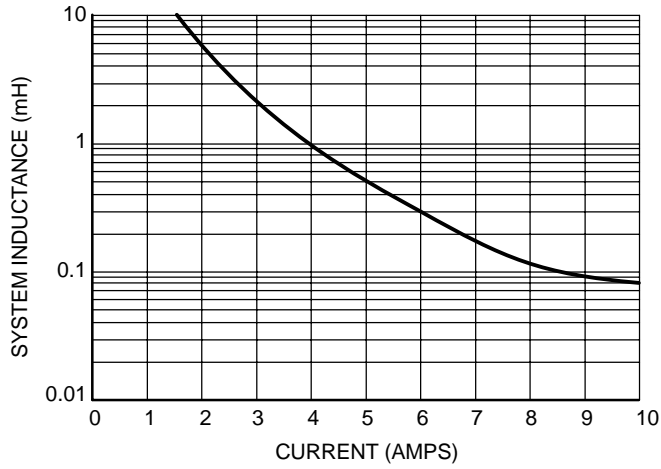


Figure 16. Total System Inductance vs. Current

The theoretical equation for the UVLO turn-on voltage is:

$$R_{UVLO} \text{ (k}\Omega\text{)} = \frac{215 V_{in} - 2970}{46.8 - V_{in}}$$

Where V_{in} is the desired turn-on voltage, and R_{UVLO} is the programming resistance from the UVLO pin to the Input + pin.

The UVLO trip point voltage calculated through the theoretical formula may show small variations with respect to Figure 3, therefore it is recommended to use the formulas gotten from the UVLO characterization, which are shown below:

$$R_{UVLO} \text{ (k}\Omega\text{)} = e^{[(y+4.4706) / 6.4484]}; \text{ for } T_J = 25^\circ\text{C}$$

$$R_{UVLO} \text{ (k}\Omega\text{)} = e^{[(y+4.6185) / 6.8525]}; \text{ for } T_J = 120^\circ\text{C}$$

$$R_{UVLO} \text{ (k}\Omega\text{)} = e^{[(y+5.7642) / 6.7234]}; \text{ for } T_J = -40^\circ\text{C}$$

where “y” is the desired UVLO value.

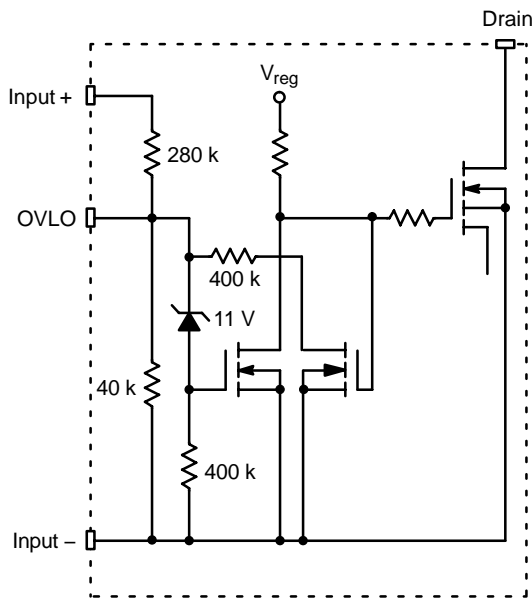


Figure 18. Overvoltage Lockout Circuit

To reduce nuisance tripping due to transients and noise spikes, a capacitor may be added from the UVLO pin to the Input – pin. This will create a low pass filter with a cutoff frequency of f. The required capacitance on this pin is:

$$C = \frac{1}{2\pi \cdot f \left[150 \text{ k} + \left(\frac{R_{UVLO} \cdot 200 \text{ k}}{R_{UVLO} + 200 \text{ k}} \right) \right]}$$

Overvoltage Lockout: The overvoltage shutdown circuit is an optional protection feature that can be disabled by simply grounding the OVLO pin.

This circuit contains an internal Zener diode/resistor combination in series with the gate of a FET. When the input + to input – voltage reaches a level sufficient to apply the required gate voltage to the FET, operation of the SMART HotPlug will be inhibited. There is a hysteresis circuit built in that will eliminate on/off bursts due to noise on the input. The equivalent circuit is shown in Figure 18.

The equation for the OVLO trip point is:

$$R_{OVLO} \text{ (k}\Omega\text{)} = \frac{290 V_{in} - 3200}{113.7 - V_{in}}$$

Where R_{OVLO} is the overvoltage programming resistor from the OVLO pin to Input +, and V_{in} is the desired trip point for the overvoltage shutdown to occur.

The OVLO trip point voltage calculated through the theoretical formula may show small variations with respect to Figures 4, 5 and 6, therefore it is recommended to use the formulas gotten from the OVLO characterization, which are shown below:

$$R_{OVLO} \text{ (k}\Omega\text{)} = e^{[(y+69.6) / 24.82]}; \text{ for } T_J = 25^\circ\text{C}$$

$$R_{OVLO} \text{ (k}\Omega\text{)} = e^{[(y+60.56) / 23.27]}; \text{ for } T_J = 120^\circ\text{C}$$

$$R_{OVLO} \text{ (k}\Omega\text{)} = e^{[(y+66.47) / 23.52]}; \text{ for } T_J = -40^\circ\text{C}$$

where “y” is the desired OVLO value.

Similar to the undervoltage lockout circuit, the noise sensitivity of this circuit can be reduced by adding a capacitor from the OVLO pin to Input –. The capacitor required for the desired pole frequency is:

$$C_{OVLO} = \frac{(1 + 31.3 \cdot 10^{-6} \cdot R_{OVLO})}{2\pi f \cdot R_{OVLO}}$$

Temperature Limit: The temperature limit circuit senses the temperature of the Power FET and removes the gate drive if the maximum level is exceeded. There is a nominal hysteresis of 40°C for this circuit. After a thermal shutdown, the device will automatically restart when the temperature drops to a safe level as determined by the hysteresis.

Current Limit: The SMART HotPlug uses a SENSEFET to measure the Drain Current. The behavior of the SENSEFET in a short circuit condition varies from that in an overload because there is sufficient voltage across the drain to source terminals for the sense current to follow the ratio of the sense cells to main FET cells. This is not the case when the device is fully enhanced, since there are only a few millivolts from drain to source. In this condition, the sense voltage follows a different set of equations.

An overload condition is one in which the FET is fully enhanced and operating at its minimum R_{DSon} . A short circuit condition occurs when either the load has shorted or upon turn on, as the load capacitor to the hot swap device initially looks like a short circuit.

A single resistor will determine both the short circuit and overload current. For example, a 110 Ω resistor would result in a 1 A current limit when charging the capacitance at turn on, but once the FET is fully enhanced, it would allow the load to operate at a current up to 2.5 A. Once the 2.5 A limit is reached, any further reduction in load impedance will result in a short circuit condition and the current will be reduced to 1 amp.

As with all SMART HotPlug devices, the current limit will never shut down the limiter. Only the thermal limit will stop the flow of current to the load. Once the current is stopped due to the thermal limit, it will remain off until input power is recycled for the latching version, or it will continuously retry to start again if it is the auto-retry version.

The I_{Limit} graph shown in Figure 2 was generated from the data of the I_{Limit} characterization, the formulas for each of the curves and temperatures are shown below:

$$R_{ILimit} (\Omega) = (56.55 / y)^{1.20}; \text{ for } T_J = 25C$$

$$R_{ILimit} (\Omega) = (52.91 / y)^{1.22}; \text{ for } T_J = 120^{\circ}C$$

$$R_{ILimit} (\Omega) = (44.80 / y)^{1.33}; \text{ for } T_J = -40^{\circ}C$$

where “y” is the desired I_{Limit} value.

Main/Mirror MOSFET Current Ratio. The ratio varies with current and sense resistance. The key parameter that

it is important to know is that the current sense reference voltage of the device is 50 mV. Knowing this information, it is possible to use Figure 2 on the datasheet for the current limit to calculate the ratio for any condition.

For “normal” operating condition, the overload curve would apply. If a 100 Ω for the I_{Limit} resistor is used, the sense current would be 50 mV/ 100 Ω at the current limit level, which results in 500 μ A. The drain current is 2.7 A under this condition, so the ratio is 5400:1.

Same analysis can be made for “short circuit” conditions, the only difference is that the short circuit curve of Figure 2 is used to do the ratio calculations instead.

There is a 5 Ω resistor in series with the sense cells. This has a tolerance of about 10% and should be taken into account when making the above calculations.

Turn-on Surge: During the turn-on event, there is a large amount of energy dissipated due to the linear operation of the power device. The energy rating is the amount of energy that the device can absorb before the thermal limit circuit will shut the unit down. This is very important specially for the latch off device as it determines the maximum load capacitance that the device can charge before the thermal limit shuts the device down. The calculation of this is not very simple as it depends on several factors such as the input voltage (V_{in}), load capacitance (C_L), current limit settings (I_{Limit}) and device’s thermal transient response, therefore, it is recommended to do lab evaluations for these purposes. Figure 19 shows the device’s thermal transient response for minimum pad.

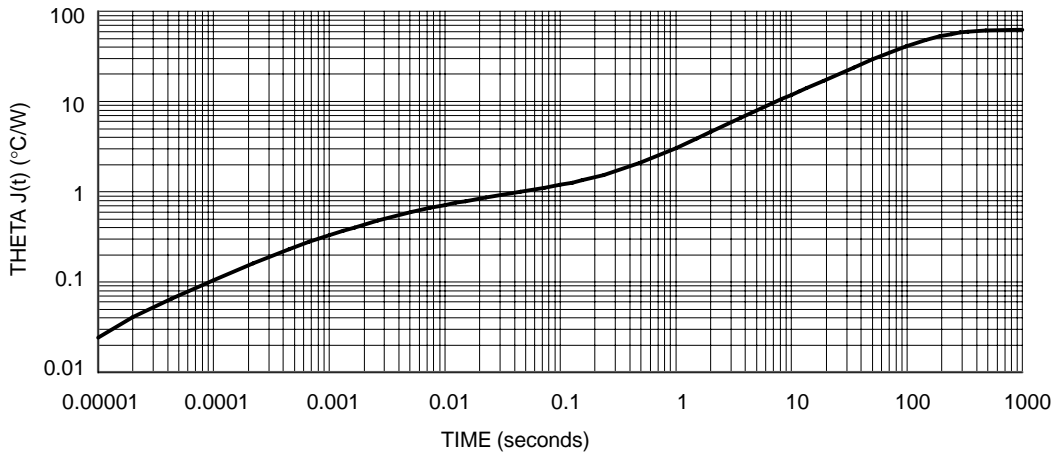
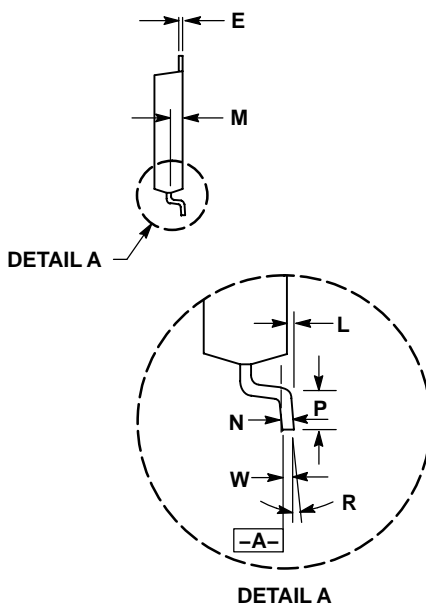
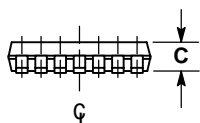
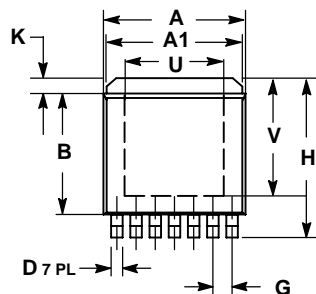


Figure 19. Thermal Transient Response

NIS5101

PACKAGE DIMENSIONS

S-PAK-7
EX SUFFIX
CASE 553AA-01
ISSUE O



NOTES:

1. DIMENSIONS AND TOLERANCING PER ANSI Y14.5M, 1982.
2. CONTROLLING DIMENSION: INCH.
3. PACKAGE OUTLINE EXCLUSIVE OF MOLD FLASH AND METAL BURR.
4. PACKAGE OUTLINE INCLUSIVE OF PLATING THICKNESS.
5. FOOT LENGTH MEASURED AT INTERCEPT POINT BETWEEN DATUM A AND LEAD SURFACE.

DIM	INCHES		MILLIMETERS	
	MIN	MAX	MIN	MAX
A	0.365	0.375	9.27	9.52
A1	0.350	0.360	8.89	9.14
B	0.310	0.320	7.87	8.13
C	0.070	0.080	1.78	2.03
D	0.025	0.031	0.63	0.79
E	0.010 BSC		0.25 BSC	
G	0.050 BSC		1.27 BSC	
H	0.410	0.420	10.41	10.67
K	0.030	0.050	0.76	1.27
L	0.001	0.005	0.03	0.13
M	0.035	0.045	0.89	1.14
N	0.010 BSC		0.25 BSC	
P	0.031	0.041	0.79	1.04
R	0° to 6°		0° to 6°	
U	0.256 BCS		6.50 BSC	
V	0.316 BSC		8.03 BSC	
W	0.010 BSC		0.25 BSC	

The product described herein (NIS5101), may be covered by one or more of the following U.S. patents: 6,781,502; 7,099,135. Other patents may be pending. SENSEFET and SMART HotPlug are trademarks of Semiconductor Components Industries, LLC.

ON Semiconductor and **ON** are registered trademarks of Semiconductor Components Industries, LLC (SCILLC). SCILLC reserves the right to make changes without further notice to any products herein. SCILLC makes no warranty, representation or guarantee regarding the suitability of its products for any particular purpose, nor does SCILLC assume any liability arising out of the application or use of any product or circuit, and specifically disclaims any and all liability, including without limitation special, consequential or incidental damages. "Typical" parameters which may be provided in SCILLC data sheets and/or specifications can and do vary in different applications and actual performance may vary over time. All operating parameters, including "Typicals" must be validated for each customer application by customer's technical experts. SCILLC does not convey any license under its patent rights nor the rights of others. SCILLC products are not designed, intended, or authorized for use as components in systems intended for surgical implant into the body, or other applications intended to support or sustain life, or for any other application in which the failure of the SCILLC product could create a situation where personal injury or death may occur. Should Buyer purchase or use SCILLC products for any such unintended or unauthorized application, Buyer shall indemnify and hold SCILLC and its officers, employees, subsidiaries, affiliates, and distributors harmless against all claims, costs, damages, and expenses, and reasonable attorney fees arising out of, directly or indirectly, any claim of personal injury or death associated with such unintended or unauthorized use, even if such claim alleges that SCILLC was negligent regarding the design or manufacture of the part. SCILLC is an Equal Opportunity/Affirmative Action Employer. This literature is subject to all applicable copyright laws and is not for resale in any manner.

PUBLICATION ORDERING INFORMATION

LITERATURE FULFILLMENT:
Literature Distribution Center for ON Semiconductor
P.O. Box 5163, Denver, Colorado 80217 USA
Phone: 303-675-2175 or 800-344-3860 Toll Free USA/Canada
Fax: 303-675-2176 or 800-344-3867 Toll Free USA/Canada
Email: orderlit@onsemi.com

N. American Technical Support: 800-282-9855 Toll Free
USA/Canada
Europe, Middle East and Africa Technical Support:
Phone: 421 33 790 2910
Japan Customer Focus Center
Phone: 81-3-5773-3850

ON Semiconductor Website: www.onsemi.com
Order Literature: <http://www.onsemi.com/orderlit>

For additional information, please contact your local Sales Representative