

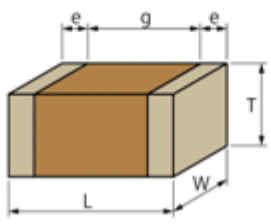

# GRM1555C1ER10BA01#

"#" indicates a package specification code.

Available  

< List of part numbers with package codes >  
 GRM1555C1ER10BA01D , GRM1555C1ER10BA01J , GRM1555C1ER10BA01C , GRM1555C1ER10BA01B

## Shape

 	
L size	1.0 ± 0.05mm
W size	0.5 ± 0.05mm
T size	0.5 ± 0.05mm
External terminal width e	0.15 to 0.35mm
Distance between external terminals g (Min.)	0.3mm
Size code in mm(inch)	1005 (0402)

## References

Packaging	Specifications	Minimum quantity
D	Paper tape ( 180mm)	10000
J	Paper tape ( 330mm)	50000
C	Bulk case	50000
B	Packing in bulk	1000

Mass (typ.)	
1 piece	1.6mg
Reel ( 180mm)	118g

## Specifications

Capacitance	0.10pF ± 0.1pF
Rated voltage	25Vdc
Temperature characteristics (complied standard)	COG(EIA)
Temperature coefficient	0 ± 30ppm/
Temperature range of temperature characteristics	25 to 125
Operating temperature range	-55 to 125

### Attention

- 1.This datasheet is downloaded from the website of Murata Manufacturing Co., Ltd. Therefore, it ' s specifications are subject to change or our products in it may be discontinued without advance notice. Please check with our sales representatives or product engineers before ordering.
- 2.This datasheet has only typical specifications because there is no space for detailed specifications. Therefore, please review our product specifications or consult the approval sheet for product specifications before ordering.