

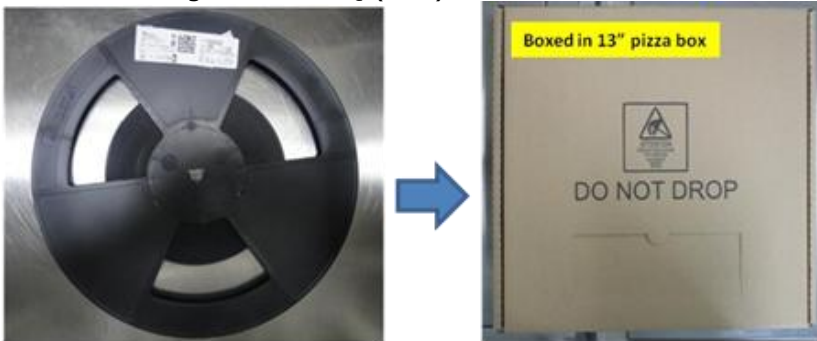
PCN Number:	20130905002		PCN Date:	09/13/2013	
Title:	Qualification of 8mm Tape width and 7 inch Reel diameter for Select Devices on QFN and SON Package				
Customer Contact:	PCN Manager	Phone:	+1(214)480-6037	Dept: Quality Services	
Change Type:					
<input type="checkbox"/>	Assembly Site	<input type="checkbox"/>	Assembly Process	<input type="checkbox"/>	Assembly Materials
<input type="checkbox"/>	Design	<input type="checkbox"/>	Electrical Specification	<input type="checkbox"/>	Mechanical Specification
<input type="checkbox"/>	Test Site	<input checked="" type="checkbox"/>	Packing/Shipping/Labeling	<input type="checkbox"/>	Test Process
<input type="checkbox"/>	Wafer Bump Site	<input type="checkbox"/>	Wafer Bump Material	<input type="checkbox"/>	Wafer Bump Process
<input type="checkbox"/>	Wafer Fab Site	<input type="checkbox"/>	Wafer Fab Materials	<input type="checkbox"/>	Wafer Fab Process
		<input type="checkbox"/>	Part number change		

PCN Details

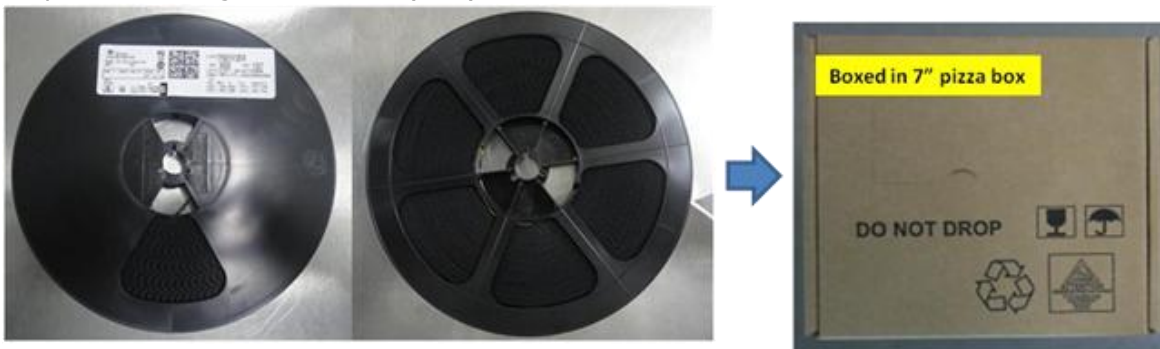
Description of Change:

Packing Material Qualification for 8mm tape width and 7 inch Reel diameter for select devices on QFN and SON package. Packing material differences are shown below.

Current Packing for full SPQ (3ku) – 13 inch reel diameter



Proposed Packing for full SPQ (3ku) – 7 inch reel diameter



- R-Version devices- with full SPQ (3000u per reel)

Pack BOM	Package Size	Current for Full SPQ		Proposed for full SPQ	
		TI P/N	Details	TI P/N	Details
Tape	2x2mm	4136158-0094	12mm width	4136158-0149	8mm width
	2x3mm	4136158-0093	12mm width	4136158-0150	8mm width
Reel	---	4203160-0011, 4211910-0001, 4203160-0026, 4203160-0019	13" diameter	4203839-0005	7" diameter

(See Appendix A for Carrier Tape "From/To" Detail and 7 Inch diameter Reel sample).

Reason for Change:

Standardization of tape width size for QFN/SON 2mmx3mm package size and below

Anticipated impact on Form, Fit, Function, Quality or Reliability (positive / negative):

None

Changes to product identification resulting from this PCN:

None

Product Affected:

BQ24075TRGTR	BQ294592DRVT	TPS20MHZDBDRVR	TPS62590DRVR
BQ294502DRV	BQ294602DRVR	TPS20MHZDBDRVT	TPS62590DRVT
BQ294502DRVR	BQ294602DRVT	TPS61093DSKR	TPS62702DRVR
BQ294502DRVT	BQ294604DRVR	TPS61291DRVR	TPS62740DSSR
BQ294504DRVR	BQ294604DRVT	TPS61291DRVT	TPS62740DSST
BQ294504DRVT	D8851-27DSS-MC	TPS62080ADSGR	TPS62740ZDSSR
BQ294512DRVR	DRV8835DSSR	TPS62080DSGR	TPS62750DSKR
BQ294512DRVT	DRV8835DSST	TPS62080DSGT	TPS62750DSKT
BQ294514DRVR	DRV8836DSSR	TPS62175DQCR	TPS62751DSKR
BQ294514DRVT	DRV8838DSGR	TPS62175DQCT	TPS63030DSKR
BQ294515DRVR	DRV8838DSGT	TPS62176DQCR	TPS63030DSKRG4
BQ294515DRVT	DRV8839DSSR	TPS62176DQCT	TPS63030DSKT
BQ294522DRVR	DRV8851-25DSSR	TPS62177DQCR	TPS63030DSKT G4
BQ294522DRVT	DRV8851-27DSSR	TPS62177DQCT	TPS63031DSKR
BQ294524DRVR	DRV8851-33DSSR	TPS62178DQCR	TPS63031DSKRG4
BQ294524DRVT	HPA00695DRVR	TPS62240DRVT	TPS63031DSKT
BQ294532DRVR	HPA00810-1/2	TPS62240DRVT G4	TPS63031DSKT G4
BQ294532DRVT	HPA00822DRVR	TPS62243DRVR	TPS65631LDSKR
BQ294562DRVR	HPA01097DSKR	TPS62243DRVRG4	TPS65631WDSKR
BQ294562DRVT	INA223AIDSKR	TPS62260ADRVR	TPS71745DSER
BQ294572DRVR	SN1111046DQCR	TPS62260ADRVT	TPS7A1701DSER
BQ294572DRVT	SN1111046DQCT	TPS62560DRVR	TPS7A1745DSER
BQ294582DRVR	SN762797DQCR	TPS62560DRVRG4	ZPS62175DQCR
BQ294582DRVT	TLV62080DSGR	TPS62560DRVT	ZPS62175DQCT
BQ294592DRVR	TLV62080DSGT	TPS62560DRVT G4	

Qualification Data: 8mm tape width

This qualification has been specifically developed for the validation of this change. The qualification data validates that the proposed change meets the applicable released technical specifications.

Qualification: **Plan** **Test Results**

Qualification Device Construction Details:

8mm tape pack	Pass/Fail
First Article Inspection Test:	PASS
Manufacturability Test:	PASS
Dimensional Test:	PASS
Camber Test:	PASS
Surface Resistivity Test:	PASS
Fit Analysis:	PASS
Drop Test:	PASS

Qualification Data: 7 Inch Reel Diameter

This qualification has been specifically developed for the validation of this change. The qualification data validates that the proposed change meets the applicable released technical specifications.

Qualification: **Plan** **Test Results**

Qualification Device Construction Details:

Qualification summary for 7" diameter, 8mm width

Supplier:	C-PAK
Vendor Part No:	7E2M08BKCP/ASL
Material:	Anti-static Dipped PS
Designed per EIA-481B	Yes (yes/no)
Intrinsically Static Diss.	No (yes/no)
Weight (g)	n/a
Color:	Black
TI Part No:	4203839-0005 (If available)
Result:	PASS
Date:	13th Dec 2006

- I. First Article Inspection Test
- II. Surface Resistivity Test
- III. Dimensional Test
- IV. Warpage Test
- V. Manufacturability Test
- VI. Drop test

	PASS	(Pass/Fail)
	PASS	
	PASS	
	PASS	
	PASS	
	PASS	

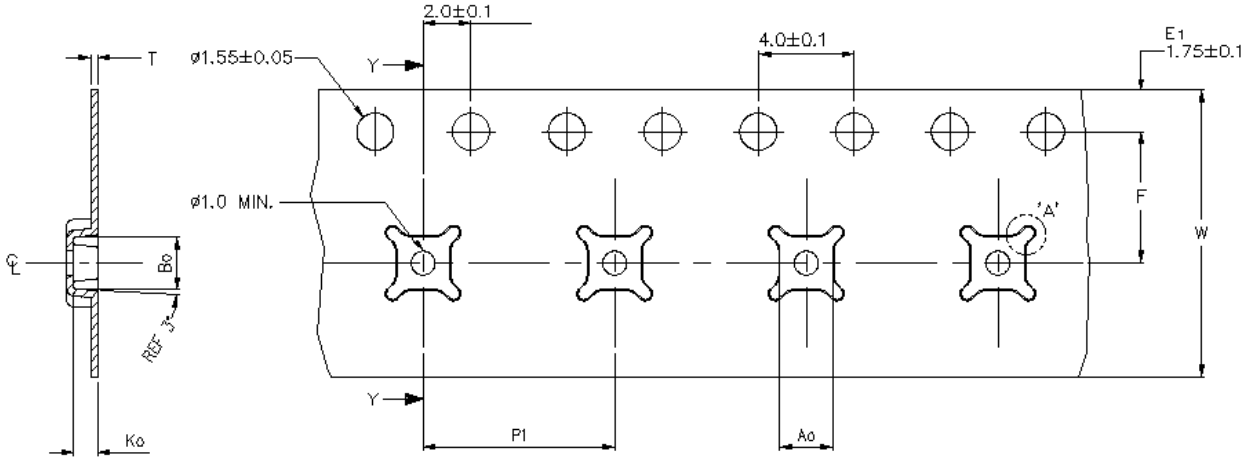
For questions regarding this notice, e-mails can be sent to the regional contacts shown below or your local Field Sales Representative.

Location	E-Mail
USA	PCNAmericasContact@list.ti.com
Europe	PCNEuropeContact@list.ti.com
Asia Pacific	PCNAsiaContact@list.ti.com
Japan	PCNJapanContact@list.ti.com

See Appendix A on the following three pages

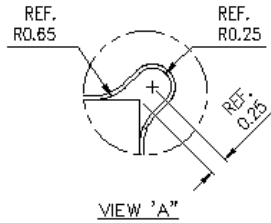
Appendix A Carrier Tape "From/To" Detail

FROM CARRIER TAPE: 4136158-0094

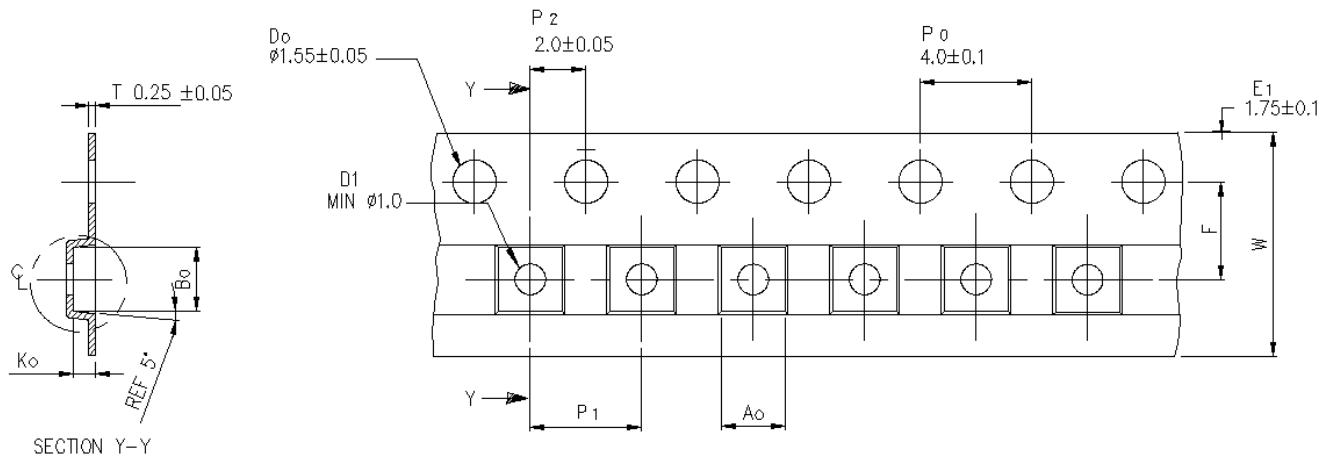


SECTION Y-Y

A ₀	2.20 +/-0.1
B ₀	2.20 +/-0.1
K ₀	1.10 +/-0.1
F	5.50 +/-0.1
P ₁	8.00 +/-0.1
W	12.00 +/-0.3

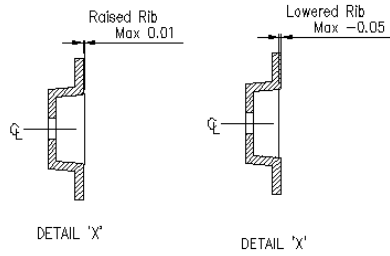


TO CARRIER TAPE: 4136158-0149

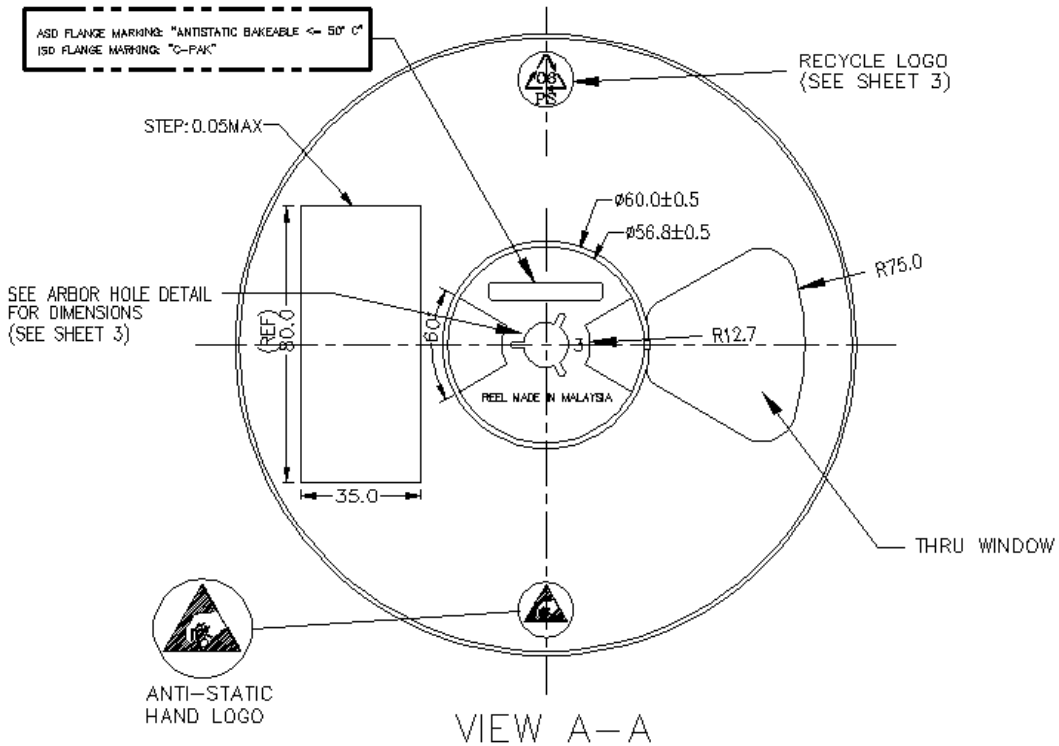
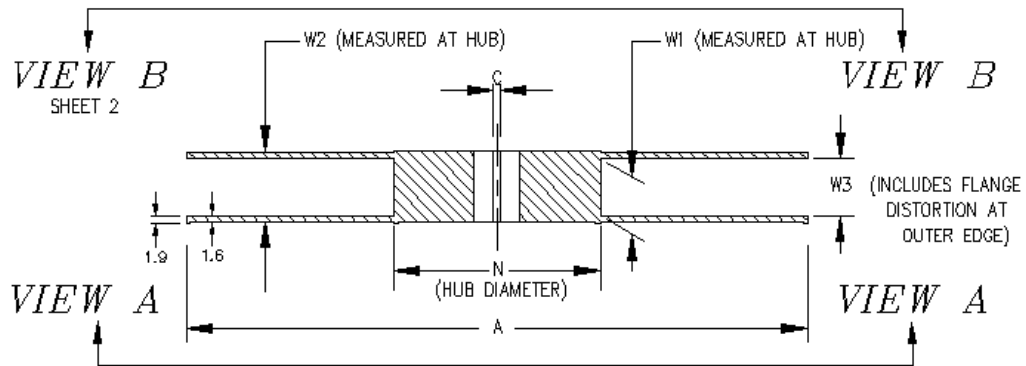


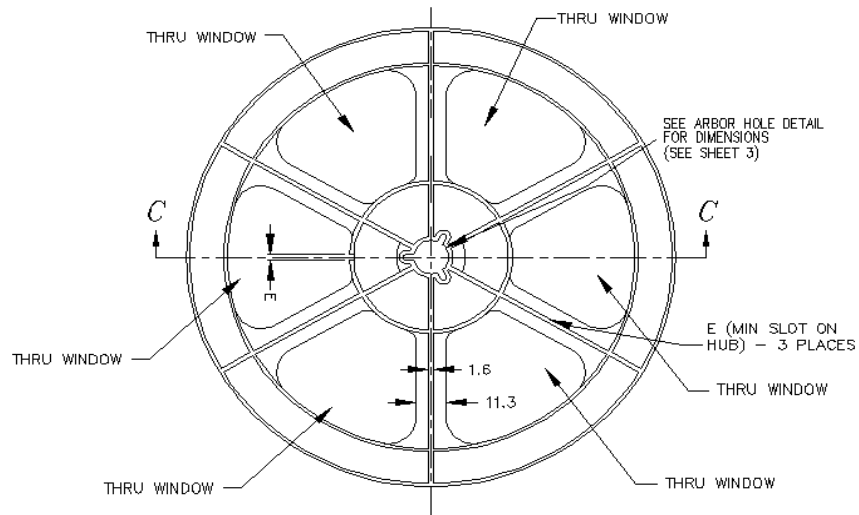
SECTION Y-Y

A ₀	2.30	+/- 0.05
B ₀	2.30	+/- 0.05
K ₀	1.15	+/- 0.05
F	3.50	+/- 0.05
P1	4.00	+/- 0.10
W	8.00	+/- 0.10

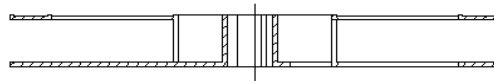


7 Inch Reel Drawing (TI P/N: 4203839-0005)

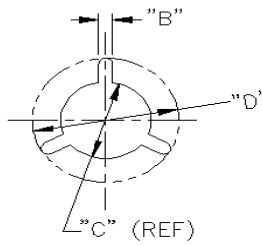




VIEW B-B
BACK VIEW



SECTION C-C



ARBOR HOLE



STATIC DISSIPATIVE
(BLACK)

RECYCLE SYMBOL DESCRIPTION

MAT'L REV LTR	PART NUMBER	SUPPLIER PART NUMBER	MATL TYPE	ESD TYPE	TAPE SIZE (MM)	A (MAX.)	B (MIN)	C (±0.2)	D (MIN.)	E	N (MIN.)	W1	W2 (MAX.)	W3 (MIN./MAX.)
A	4203839-0005	7E2 M08 BK CP/ASL	PS	ASD	8.0	180	1.5	13.0	20.2	4.0±0.1	60.0	8.4 +1.5/-0.0	14.4	7.9/10.9

ASD = Anti Static Dip