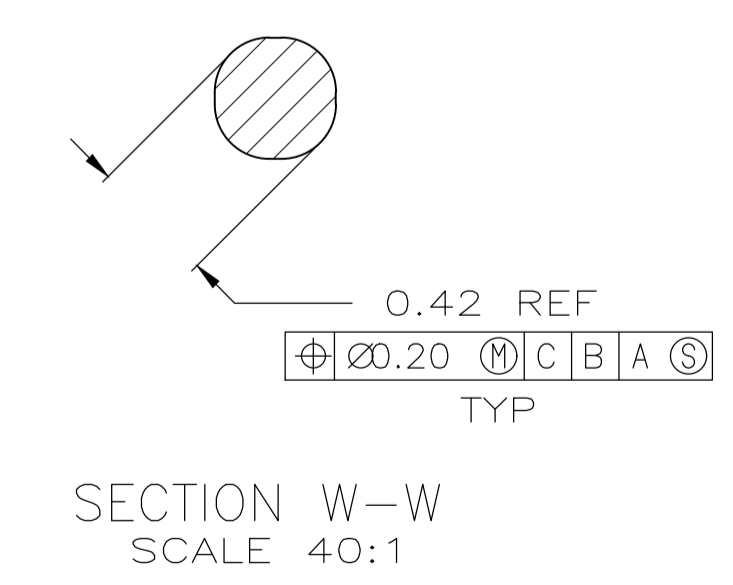
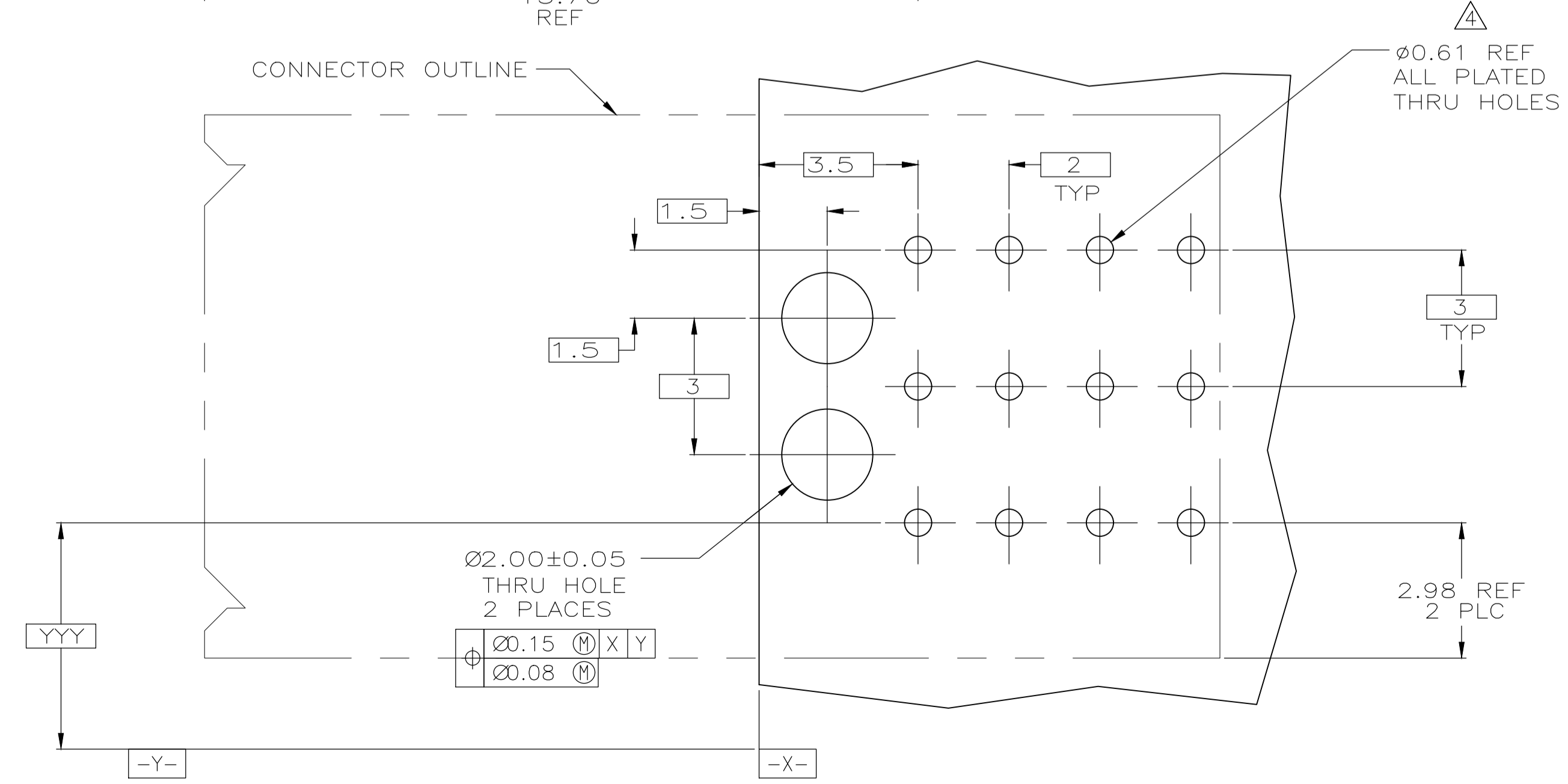
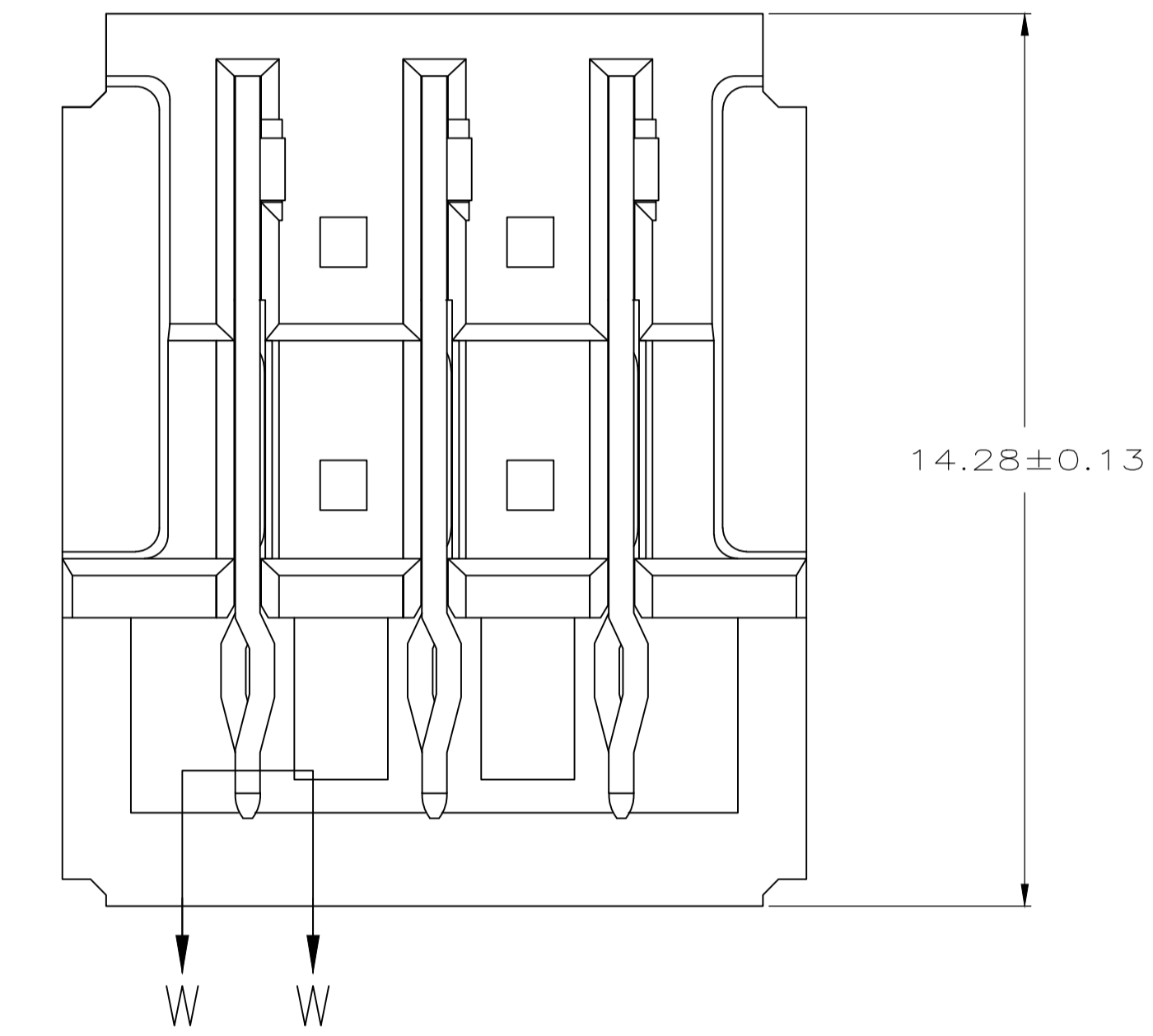
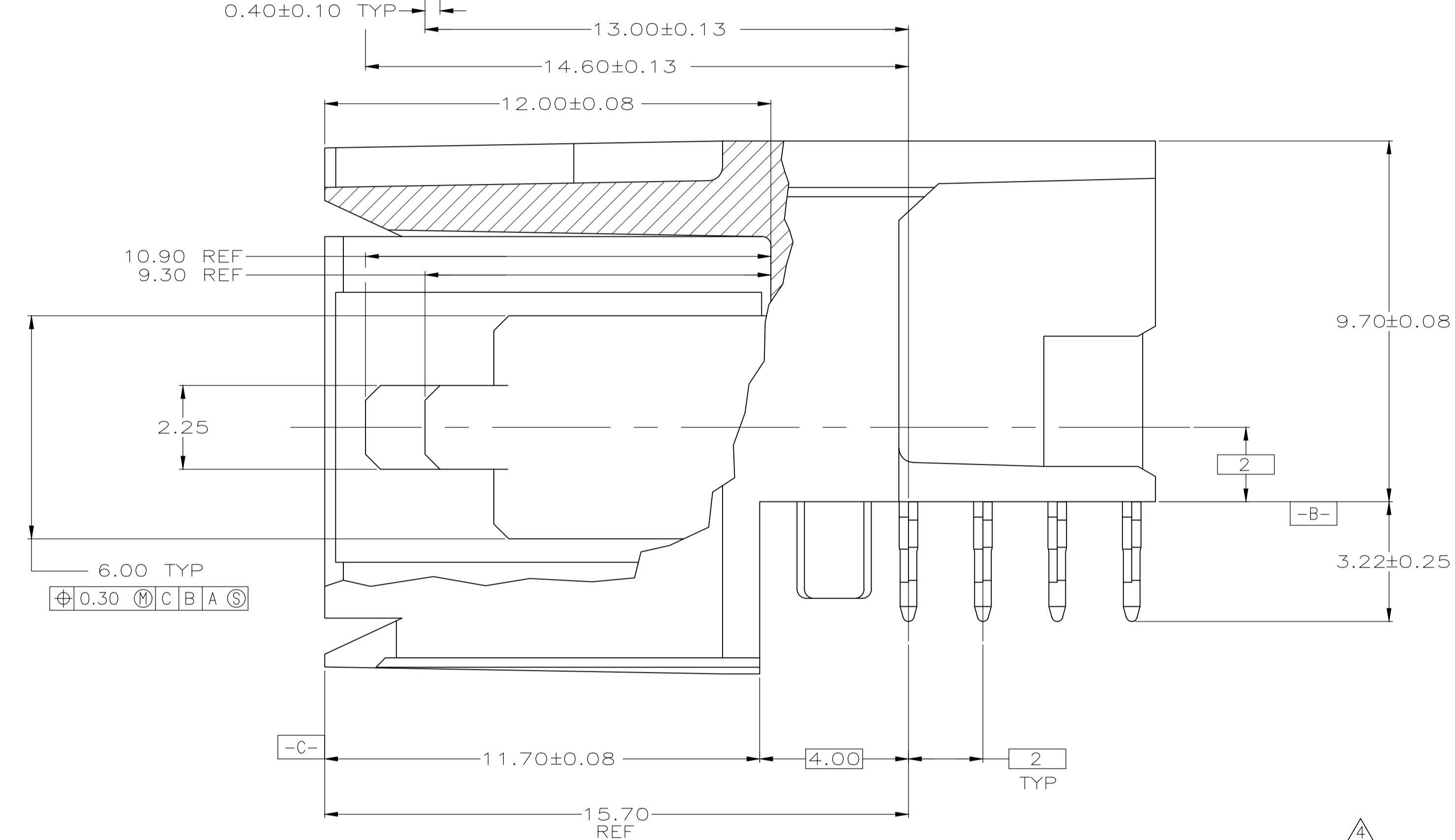
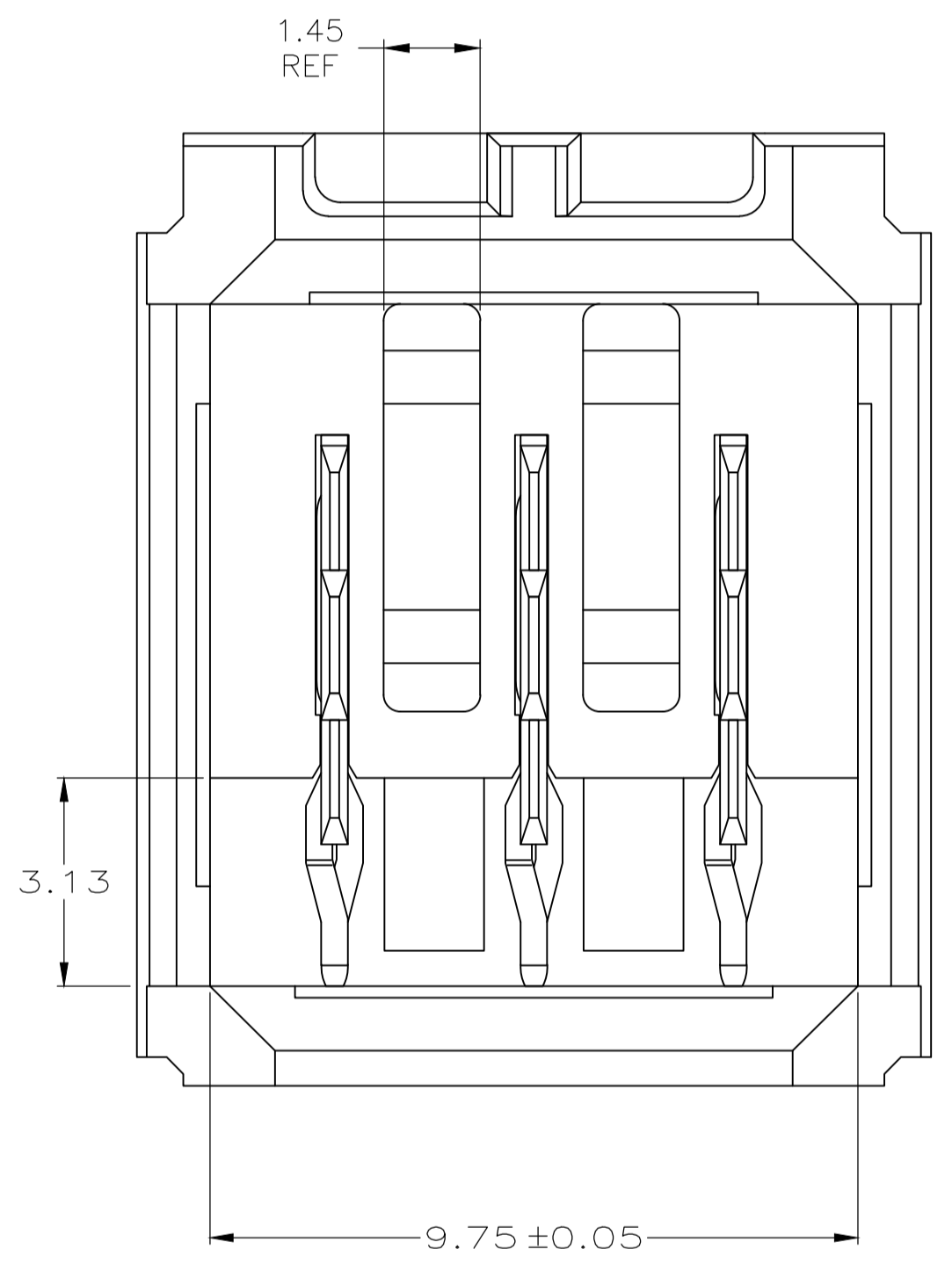


- 1 MATERIAL: HOUSING: POLYESTER. COLOR: GRAY. UL 94V-0. CONTACT: PHOSPHOR BRONZE.
- 2 FINISH: IN ACCORDANCE WITH PRODUCT SPECIFICATION 108-1651, GOLD PLATING OR EQUIVALENT PLATING ON PRODUCT CONTACT MATING AREA, AND MATTE TIN PLATING ON COMPLIANT PIN AREA, ALL OVER MATTE NICKEL UNDERPLATED. DETAIL PLEASE REFER TO PRODUCT SPECIFICATION 108-1651.
- 3 FINISH: CONTACT LUBRICATION WITH BELLCORE APPROVED LUBRICANT. TECHNICAL REFERENCE: TR-NWT-001217 ISSUE 1, SEPT 1992.
- 4 REFERENCE APPLICATION SPEC 114-1103 FOR RECOMMENDED PLATED THRU HOLE DIAMETER AND PLATING THICKNESS.
- 5 CURRENT RATING 10A/CONTACT FOR PHOS BRONZE CONTACT AND 16A/CONTACT FOR HIGH CURRENT COPPER ALLOY CONTACT PER PRODUCT SPEC 108-1651.
- 6 MATERIAL: HOUSING: POLYESTER, COLOR: GRAY, UL94V-0 CONTACT: HIGH CONDUCTIVITY COPPER ALLOY.
- 7 TE PART NUMBER AND DATE CODE, IN THE REFERENCE PRINTING AREA



SECTION W-W
SCALE 40:1

UPM HC 3P CONN	2 3 6	5-5223968-1
UPM STD 3P CONN	1 2 3	5223968-1
DESCRIPTION	REMARKS	PART NUMBER
STE TE Connectivity		
ASSEMBLY, RIGHT ANGLE HEADER, W/ RETENTION PEGS, UNIVERSAL POWER MODULE		
SIZE	CAGE CODE	DRAWING NO
A1	00779	5223968
CUSTOMER DRAWING		SCALE 10:1 SHEET 1 OF 1 REV C3

THIS DRAWING IS A CONTROLLED DOCUMENT.		DIN	130EC04
DIMENSIONS: mm		CHK	130EC04
TOLERANCES UNLESS OTHERWISE SPECIFIED:		NAME	R. PATTERSON
0 PLC	± -	PRODUCT SPEC	108-1651
1 PLC	± 0.13	APPLICATION SPEC	114-1103
2 PLC	± -	WEIGHT	-
3 PLC	± -	RESTRICTED TO	-
4 PLC	± -		
ANGLES	± -		

RECOMMENDED PCB HOLE LAYOUT