

# HVDA55x-Q1 5-V CAN Transceiver

## With I/O Level Adapting and Low-Power-Mode Supply Optimization

### 1 Features

- Qualified for Automotive Applications
- AEC-Q100 Qualified With the Following Results:
  - Device Temperature Grade 1: –40°C to +125°C Ambient Operating Temperature
  - Device HBM ESD Classification Level:
    - Level 3B for Pins 6 and 7
    - Level 3A for All Other Pins
  - Device CDM ESD Classification Level C6
- Meets or Exceeds the Requirements of ISO 11898-2 and ISO 11898-5
- GIFT/ICT Compliant
- Data Rate Up to 1 Mbps
- ESD Protection Up to ±12 kV (Human-Body Model) on Bus Pins
- I/O Voltage Level Adapting
  - HVDA551: Adaptable I/O Voltage Range ( $V_{IO}$ ) From 3 V to 5.33 V
- SPLIT Voltage Source
  - HVDA553: Common-Mode Bus Stabilization
- Operating Modes:
  - Normal Mode
  - Low-Power Standby Mode With RXD Wake-Up Request
- High Electromagnetic Compliance (EMC)
- Supports CAN Flexible Data-Rate (FD)
- Protection
  - Undervoltage Protection on  $V_{IO}$  and  $V_{CC}$
  - Bus-Fault Protection of –27 V to 40 V
  - TXD Dominant State Time-Out

- RXD Wake-Up Request Lockout on CAN Bus Stuck Dominant Fault (HVDA551)
- Digital Inputs Compatible With 5-V Microprocessors (HVDA553)
- Thermal Shutdown Protection
- Power-Up and Power-Down Glitch-Free Bus I/O
- High Bus Input Impedance When Unpowered (No Bus Load)

### 2 Applications

- SAE J2284 High-Speed CAN for Automotive Applications
- SAE J1939 Standard Data Bus Interface
- GMW3122 Dual-Wire CAN Physical Layers
- ISO 11783 Standard Data Bus Interface
- NMEA 2000 Standard Data Bus Interface

### 3 Description

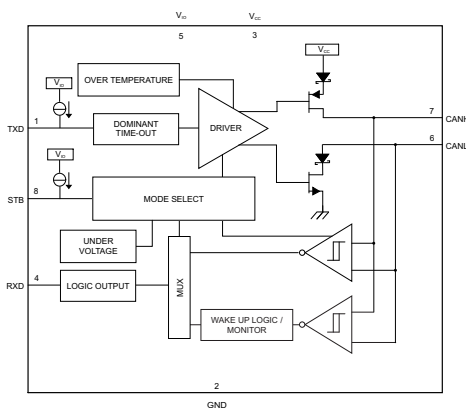
The HVDA55x-Q1 device is designed and qualified for use in automotive applications and meets or exceeds the specifications of the ISO 11898 High Speed CAN (Controller Area Network) Physical Layer standard (transceiver).

#### Device Information<sup>(1)</sup>

PART NUMBER	PACKAGE	BODY SIZE (NOM)
HVDA551-Q1 HVDA553-Q1	SOIC (8)	4.90 mm x 3.91 mm

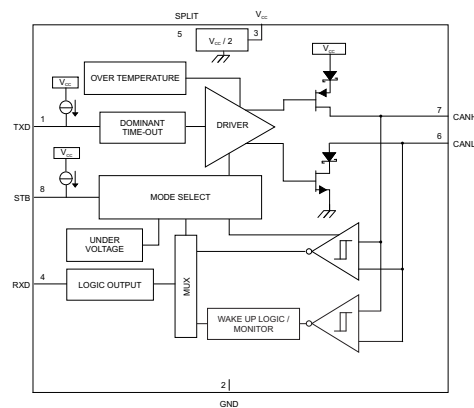
(1) For all available packages, see the orderable addendum at the end of the data sheet.

#### HVDA551 Block Diagram



Copyright © 2016, Texas Instruments Incorporated

#### HVDA553 Block Diagram



Copyright © 2016, Texas Instruments Incorporated



## Table of Contents

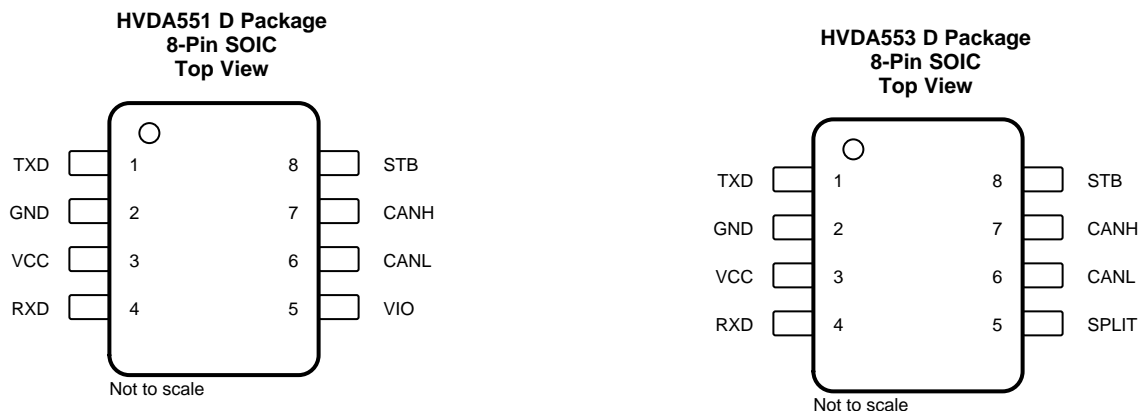
<b>1 Features</b> ..... 1 <b>2 Applications</b> ..... 1 <b>3 Description</b> ..... 1 <b>4 Revision History</b> ..... 2 <b>5 Pin Configuration and Functions</b> ..... 3 <b>6 Specifications</b> ..... 4 6.1 Absolute Maximum Ratings ..... 4 6.2 ESD Ratings..... 4 6.3 Recommended Operating Conditions ..... 5 6.4 Thermal Information ..... 5 6.5 Electrical Characteristics..... 5 6.6 Switching Characteristics ..... 8 6.7 Typical Characteristic..... 9 <b>7 Parameter Measurement Information</b> ..... 10 <b>8 Detailed Description</b> ..... 15 8.1 Overview ..... 15 8.2 Functional Block Diagrams ..... 15 8.3 Feature Description..... 16	8.4 Device Functional Modes..... 19 <b>9 Application and Implementation</b> ..... 22 9.1 Application Information..... 22 9.2 Typical Applications ..... 22 <b>10 Power Supply Recommendations</b> ..... 25 <b>11 Layout</b> ..... 25 11.1 Layout Guidelines ..... 25 11.2 Layout Example ..... 26 <b>12 Device and Documentation Support</b> ..... 27 12.1 Documentation Support ..... 27 12.2 Related Links ..... 27 12.3 Receiving Notification of Documentation Updates ..... 27 12.4 Community Resource..... 27 12.5 Trademarks ..... 27 12.6 Electrostatic Discharge Caution..... 27 12.7 Glossary ..... 27 <b>13 Mechanical, Packaging, and Orderable Information</b> ..... 27
---	--

## 4 Revision History

NOTE: Page numbers for previous revisions may differ from page numbers in the current version.

<b>Changes from Revision A (September 2013) to Revision B</b>	<b>Page</b>
<ul style="list-style-type: none"> <li>• Added <i>ESD Ratings</i> table, <i>Feature Description</i> section, <i>Device Functional Modes</i>, <i>Application and Implementation</i> section, <i>Power Supply Recommendations</i> section, <i>Layout</i> section, <i>Device and Documentation Support</i> section, and <i>Mechanical, Packaging, and Orderable Information</i> section ..... 1</li> <li>• Removed <i>Ordering Information</i> table, see POA at the end of the data sheet..... 1</li> </ul>	1
<b>Changes from Original (June 2013) to Revision A</b>	<b>Page</b>
<ul style="list-style-type: none"> <li>• In <i>Electrical Characteristics</i> rows 6.3 and 6.7, changed ® to (R)..... 6</li> </ul>	6

## 5 Pin Configuration and Functions



### Pin Functions

PIN		TYPE <sup>(1)</sup>	DESCRIPTION
NO.	NAME		
1	TXD	I	CAN transmit data input (low for dominant bus state, high for recessive bus state)
2	GND	G	Ground connection
3	V <sub>CC</sub>	P	Transceiver 5-V supply voltage
4	RXD	O	CAN receive data output (low in dominant bus state, high in recessive bus state)
5	V <sub>IO</sub> (HVDA551)	P/O	Transceiver logic level (IO) supply voltage
	SPLIT (HVDA553)	P/O	Common-mode stabilization output
6	CANL	I/O	Low level CAN bus line
7	CANH	I/O	High level CAN bus line
8	STB	I	Standby mode select pin (active high)

(1) G = Ground, I = Input, O = Output, and P = Power

## 6 Specifications

### 6.1 Absolute Maximum Ratings

 over operating free-air temperature range (unless otherwise noted)<sup>(1)(2)</sup>

		MIN	MAX	UNIT
V <sub>CC</sub>	Supply voltage	–0.3	6	V
V <sub>IO</sub>	I/O supply voltage	–0.3	6	V
	Voltage at bus terminals (CANH, CANL)	–27	40	V
I <sub>O</sub>	Receiver output current (RXD)		20	mA
V <sub>I</sub>	Voltage input (TXD, STB, S)	HVDA55x	6 and V <sub>I</sub> ≤ V <sub>IO</sub> + 0.3	V
		HVDA553	6	
T <sub>J</sub>	Operating virtual-junction temperature	–40	150	°C
T <sub>stg</sub>	Storage temperature		150	°C

- (1) Stresses beyond those listed under *Absolute Maximum Ratings* may cause permanent damage to the device. These are stress ratings only, which do not imply functional operation of the device at these or any other conditions beyond those indicated under *Recommended Operating Conditions*. Exposure to absolute-maximum-rated conditions for extended periods may affect device reliability.
- (2) All voltage values, except differential I/O bus voltages, are with respect to the ground terminal.

### 6.2 ESD Ratings

			VALUE	UNIT	
V <sub>(ESD)</sub>	Electrostatic discharge	Human-body model (HBM) <sup>(1)</sup>	All pins except 6 and 7	±4000	V
			Pins 6 and 7 <sup>(2)</sup>	±12000	
		Charged-device model (CDM) <sup>(3)</sup>		±1000	
		IEC 61000-4-2 according to IBEE CAN EMC test specification <sup>(4)</sup>	Pins 6, 7 to 2	±7000	
		ISO 7637 transients according to IBEE CAN EMC test specification <sup>(5)</sup>	Pulse 1	–100	
			Pulse 2a	75	
Pulse 3a	–150				
	Pulse 3b	100			

- (1) HBM tested in accordance with AEC-Q100-002.
- (2) HBM test method based on AEC-Q100-002, CANH and CANL bus pins stressed with respect to each other and GND.
- (3) CDM tested in accordance with AEC-Q100-011.
- (4) IEC 61000-4-2 is a system-level ESD test. Results given here are specific to the IBEE CAN EMC Test specification conditions. Different system-level configurations lead to different results.
- (5) ISO 7637 is a system level transient test. Results given here are specific to the IBEE CAN EMC Test specification conditions. Different system level configurations lead to different results.

### 6.3 Recommended Operating Conditions

		MIN	MAX	UNIT
$V_{CC}$	Supply voltage	4.68	5.33	V
$V_{IO}$	I/O supply voltage	3	5.33	V
$V_I$ or $V_{IC}$	Voltage at any bus terminal (separately or common mode)	-12	12	V
$V_{IH}$	High-level input voltage, TXD, STB (for HVDA553, $V_{IO} = V_{CC}$ )	$0.7 \times V_{IO}$	$V_{IO}$	V
$V_{IL}$	Low-level input voltage, TXD, STB (for HVDA553, $V_{IO} = V_{CC}$ )	0	$0.3 \times V_{IO}$	V
$V_{ID}$	Differential input voltage, bus (between CANH and CANL)	-6	6	V
$I_{OH}$	High-level output current, RXD	-2		mA
$I_{OL}$	Low-level output current, RXD		2	mA
$T_A$	Operating ambient free-air temperature (see <a href="#">Thermal Information</a> )	-40	125	°C

### 6.4 Thermal Information

THERMAL METRIC <sup>(1)</sup>		HVDA55x-Q1		UNIT
		D (SOIC)		
		8 PINS		
$R_{\theta JA}$	Junction-to-ambient thermal resistance	Low-K thermal resistance	140	°C/W
		High-K thermal resistance	112	
$R_{\theta JC(top)}$	Junction-to-case (top) thermal resistance		56	°C/W
$R_{\theta JB}$	Junction-to-board thermal resistance		50	°C/W
$\Psi_{JT}$	Junction-to-top characterization parameter		13	°C/W
$\Psi_{JB}$	Junction-to-board characterization parameter		55	°C/W
$R_{\theta JC(bot)}$	Junction-to-case (bottom) thermal resistance		—	°C/W

(1) For more information about traditional and new thermal metrics, see the [Semiconductor and IC Package Thermal Metrics](#) application report.

### 6.5 Electrical Characteristics

$T_J = -40^\circ\text{C}$  to  $150^\circ\text{C}$ , HVDA553  $V_{IO} = V_{CC}$  (unless otherwise noted)

PARAMETER	TEST CONDITIONS	MIN	TYP <sup>(1)</sup>	MAX	UNIT		
<b>HVDA551 SUPPLY</b>							
$I_{CC}$	5-V supply current	Standby mode (HVDA551 only), STB at $V_{IO}$ , $V_{CC} = 5.33$ V, $V_{IO} = 3$ V, TXD at $V_{IO}$ <sup>(2)</sup>		5	$\mu\text{A}$		
		Normal mode (dominant), TXD at 0 V, 60- $\Omega$ load, STB at 0 V		50	70	mA	
		Normal mode (recessive), TXD at $V_{IO}$ , no load, STB at 0 V		6.75	10		
$I_{IO}$	I/O supply current	Standby mode (HVDA551 only), STB at $V_{IO}$ , $V_{CC} = 5.33$ V or 0 V, RXD floating, TXD at $V_{IO}$ , $T_A = -40^\circ\text{C}$ , $25^\circ\text{C}$ , $125^\circ\text{C}$ <sup>(3)</sup>		6.5	15	$\mu\text{A}$	
		Normal mode (dominant), $V_{CC} = 5.33$ V, RXD floating, TXD at 0 V		85	300		
		Normal mode (recessive), $V_{CC} = 5.33$ V, RXD floating, TXD at $V_{IO}$		70	300		
$UV_{VCC}$	Undervoltage detection	On $V_{CC}$ for forced standby mode		3.2	3.6	4	V
$V_{HYS(UV_{VCC})}$	Hysteresis voltage	For undervoltage detection on $UV_{VCC}$ for standby mode		200		mV	
$UV_{VIO}$	Undervoltage detection	On $V_{IO}$ for forced standby mode		1.9	2.45	2.95	V
$V_{HYS(UV_{VIO})}$	Hysteresis voltage	For undervoltage detection on $UV_{VIO}$ for forced standby mode		130		mV	

(1) All typical values are at  $25^\circ\text{C}$  and supply voltages of  $V_{CC} = 5$  V and  $V_{IO} = 3.3$  V.

(2) The  $V_{CC}$  supply is not required during standby mode so in the application  $I_{CC}$  in standby mode may be zero. If the  $V_{CC}$  supply remains, then  $I_{CC}$  is per specification with  $V_{CC}$ .

(3) See [I<sub>IO</sub> Quiescent Current in Standby / Silent Mode](#).

**Electrical Characteristics (continued)**
 $T_J = -40^{\circ}\text{C to } 150^{\circ}\text{C}$ , HVDA553  $V_{IO} = V_{CC}$  (unless otherwise noted)

PARAMETER	TEST CONDITIONS	MIN	TYP <sup>(1)</sup>	MAX	UNIT		
<b>HVDA553 SUPPLY</b>							
$I_{CC}$	5-V supply current	Standby mode (HVDA553 only), STB at $V_{CC}$ , $V_{CC} = 5.33\text{ V}$ , TXD at $V_{CC}$ <sup>(2)</sup>		12	$\mu\text{A}$		
		Normal mode (dominant), TXD at 0 V, 60- $\Omega$ load, STB at 0 V		50	70	mA	
		Normal mode (recessive), TXD at $V_{CC}$ , no load, STB at 0 V		6.75	10		
$UV_{VCC}$	Undervoltage detection	On $V_{CC}$ for forced standby mode		3.2	3.6	4	V
$V_{HYS(UVCC)}$	Hysteresis voltage	For undervoltage detection on $UV_{VCC}$ for standby mode		200		mV	
<b>DRIVER</b>							
$V_{O(D)}$	Bus output voltage (dominant)	CANH, $V_I = 0\text{ V}$ , STB at 0 V, $R_L = 60\ \Omega$ , see <a href="#">Figure 2</a> and <a href="#">Figure 16</a>		2.9	4.5	V	
		CANL, $V_I = 0\text{ V}$ , STB at 0 V, $R_L = 60\ \Omega$ , see <a href="#">Figure 2</a> and <a href="#">Figure 16</a>		0.8	1.75		
$V_{O(R)}$	Bus output voltage (recessive)	$V_I = V_{IO}$ , $V_{IO} = 3\text{ V}$ , STB at 0 V, $R_L = 60\ \Omega$ , see <a href="#">Figure 2</a> and <a href="#">Figure 16</a>		2	2.5	3	V
$V_{O(STBY)}$	Bus output voltage	Standby mode (HVDA551 only), STB at $V_{IO}$ , $R_L = 60\ \Omega$ , see <a href="#">Figure 2</a> and <a href="#">Figure 16</a>		-0.1	0.1	V	
$V_{OD(D)}$	Differential output voltage (dominant)	$V_I = 0\text{ V}$ , $R_L = 60\ \Omega$ , STB at 0 V, see <a href="#">Figure 2</a> , <a href="#">Figure 16</a> , and <a href="#">Figure 3</a>		1.5	3	V	
		$V_I = 0\text{ V}$ , $R_L = 45\ \Omega$ , STB at 0 V, see <a href="#">Figure 2</a> , <a href="#">Figure 16</a> , and <a href="#">Figure 3</a>		1.4	3		
$V_{OD(R)}$	Differential output voltage (recessive)	$V_I = 3\text{ V}$ , STB at 0 V, $R_L = 60\ \Omega$ , see <a href="#">Figure 2</a> and <a href="#">Figure 16</a>		-0.012	0.012	V	
		$V_I = 3\text{ V}$ , STB at 0 V, no load		-0.5	0.05		
$V_{SYM}$	Output symmetry (dominant or recessive)	$V_{O(CANH)} + V_{O(CANL)}$ , STB at 0 V, $R_L = 60\ \Omega$ , see <a href="#">Figure 12</a>		$0.9 \times V_{CC}$	$V_{CC}$	$1.1 \times V_{CC}$	V
$V_{OC(SS)}$	Steady-state common-mode output voltage	STB at 0 V, $R_L = 60\ \Omega$ , see <a href="#">Figure 8</a>		2	2.5	3	V
$\Delta V_{OC(SS)}$	Change in steady-state common-mode output voltage	STB at 0 V, $R_L = 60\ \Omega$ , see <a href="#">Figure 8</a>		50		mV	
$I_{OS(SS)_DOM}$	Short-circuit steady-state output current, dominant	$V_{CANH} = 0\text{ V}$ , CANL open, TXD = low, see <a href="#">Figure 11</a>		-100		mA	
		$V_{CANL} = 32\text{ V}$ , CANH open, TXD = low, see <a href="#">Figure 11</a>		100			
$I_{OS(SS)_REC}$	Short-circuit steady-state output current, recessive	$-20\text{ V} \leq V_{CANH} \leq 32\text{ V}$ , CANL open, TXD = high, see <a href="#">Figure 11</a>		-10		mA	
		$-20\text{ V} \leq V_{CANL} \leq 32\text{ V}$ , CANH open, TXD = high, see <a href="#">Figure 11</a>		-10			
$C_O$	Output capacitance	See receiver input capacitance					
<b>RECEIVER</b>							
$V_{IT+}$	Positive-going input threshold voltage	Normal mode, STB at 0 V, see <a href="#">Table 1</a>		800	900	mV	
$V_{IT-}$	Negative-going input threshold voltage	Normal mode, STB at 0 V, see <a href="#">Table 1</a>		500	650	mV	
$V_{hys}$	Hysteresis voltage	$V_{IT+} - V_{IT-}$		125		mV	
$V_{IT(STBY)}$	Input threshold voltage	HVDA551 only, standby mode, STB at $V_{IO}$		400	1150	mV	
$I_{I(OFF\_LKG)}$	Power-off (unpowered) bus input leakage current	CANH = CANL = 5 V, $V_{CC}$ at 0 V, $V_{IO}$ at 0 V, TXD at 0 V		3		$\mu\text{A}$	

**Electrical Characteristics (continued)**
 $T_J = -40^{\circ}\text{C}$  to  $150^{\circ}\text{C}$ , HVDA553  $V_{IO} = V_{CC}$  (unless otherwise noted)

PARAMETER	TEST CONDITIONS	MIN	TYP <sup>(1)</sup>	MAX	UNIT
$C_I$	Input capacitance to ground (CANH or CANL) HVDA551: TXD at $V_{IO}$ , $V_{IO}$ at 3.3 V; HVDA553: TXD at $V_{CC}$ , $V_I = 0.4 \sin(4E6\pi t) + 2.5$ V		13		pF
$C_{ID}$	Differential input capacitance HVDA551: TXD at $V_{IO}$ , $V_{IO}$ at 3.3 V; HVDA553: TXD at $V_{CC}$ , $V_I = 0.4 \sin(4E6\pi t)$		5		pF
$R_{ID}$	Differential input resistance HVDA551: TXD at $V_{IO}$ , $V_{IO} = 3.3$ V, STB at 0 V; HVDA553: TXD at $V_{CC}$ , STB at 0 V	29		80	k $\Omega$
$R_{IN}$	Input resistance (CANH or CANL) HVDA551: TXD at $V_{IO}$ , $V_{IO} = 3.3$ V, STB at 0 V; HVDA553: TXD at $V_{CC}$ , STB at 0 V	14.5	25	40	k $\Omega$
$R_{I(M)}$	Input resistance matching $[1 - R_{IN(CANH)} / R_{IN(CANL)}] \times 100\%$ , $V_{(CANH)} = V_{(CANL)}$	-3%	0%	3%	
<b>TXD PIN</b>					
$V_{IH}$	High-level input voltage HVD553: $V_{IO} = V_{CC}$	$0.7 \times V_{IO}$			V
$V_{IL}$	Low-level input voltage HVD553: $V_{IO} = V_{CC}$			$0.3 \times V_{IO}$	V
$I_{IH}$	High-level input current HVDA551: TXD at $V_{IO}$ ; HVDA553: TXD at $V_{CC}$	-2		2	$\mu\text{A}$
$I_{IL}$	Low-level input current TXD at 0 V	-100		-7	$\mu\text{A}$
<b>RXD PIN</b>					
$V_{OH}$	High-level output voltage HVD553: $V_{IO} = V_{CC}$ , $I_O = -2$ mA, see <a href="#">Figure 6</a>	$0.8 \times V_{IO}$			V
$V_{OL}$	Low-level output voltage HVD553: $V_{IO} = V_{CC}$ , $I_O = 2$ mA, see <a href="#">Figure 6</a>			$0.2 \times V_{IO}$	V
<b>STB PIN</b>					
$V_{IH}$	High-level input voltage HVD553: $V_{IO} = V_{CC}$	$0.7 \times V_{IO}$			V
$V_{IL}$	Low-level input voltage HVD553: $V_{IO} = V_{CC}$			$0.3 \times V_{IO}$	V
$I_{IH}$	High-level input current HVDA551: STB at $V_{IO}$ ; HVDA553: STB at $V_{CC}$	-2		2	$\mu\text{A}$
$I_{IL}$	Low-level input current STB at 0 V	-20			$\mu\text{A}$
<b>SPLIT PIN (HVDA553 ONLY)</b>					
$V_O$	Output voltage $-500 \mu\text{A} < I_O < 500 \mu\text{A}$	$0.3 \times V_{CC}$	$0.5 \times V_{CC}$	$0.7 \times V_{CC}$	V
$I_{O(STB)}$	Leakage current Standby mode, STB at $V_{CC}$ , $-12 \text{ V} \leq I_O \leq 12 \text{ V}$	-5		5	$\mu\text{A}$
<b>POWER DISSIPATION AND THERMAL SHUTDOWN</b>					
$P_D$	Average power dissipation	$V_{CC} = 5$ V, $V_{IO} = V_{CC}$ , $T_J = 27^{\circ}\text{C}$ , $R_L = 60 \Omega$ , STB at 0 V, Input to TXD at 500 kHz, 50% duty cycle square wave, $C_L$ at RXD = 15 pF	140		mW
		$V_{CC} = 5.33$ V, $V_{IO} = V_{CC}$ , $T_J = 130^{\circ}\text{C}$ , $R_L = 60 \Omega$ , STB at 0 V, Input to TXD at 500 kHz, 50% duty cycle square wave, $C_L$ at RXD = 15 pF	215		
	Thermal shutdown temperature		185		$^{\circ}\text{C}$

## 6.6 Switching Characteristics

over operating free-air temperature range (unless otherwise noted)

PARAMETER		TEST CONDITIONS	MIN	TYP <sup>(1)</sup>	MAX	UNIT
<b>PROPAGATION TIME (LOOP TIME TXD to RXD)</b>						
$t_{\text{PROP(LOOP1)}}$	Total loop delay 1	Driver input (TXD) to receiver output (RXD), recessive to dominant, see <a href="#">Figure 9</a> , STB at 0 V	70		230	ns
$t_{\text{PROP(LOOP2)}}$	Total loop delay 2	Driver input (TXD) to receiver output (RXD), dominant to recessive, see <a href="#">Figure 9</a> , STB at 0 V	70		230	
<b>DRIVER</b>						
$t_{\text{PLH}}$	Propagation delay time, low-to-high level output	STB at 0 V, see <a href="#">Figure 4</a>		65		ns
$t_{\text{PHL}}$	Propagation delay time, high-to-low level output	STB at 0 V, see <a href="#">Figure 4</a>		50		ns
$t_{\text{R}}$	Differential output signal rise time	STB at 0 V, see <a href="#">Figure 4</a>		25		ns
$t_{\text{F}}$	Differential output signal fall time	STB at 0 V, see <a href="#">Figure 4</a>		55		ns
$t_{\text{EN}}$	Enable time from standby or silent mode to normal mode, dominant	See <a href="#">Figure 7</a>			30	$\mu\text{s}$
$t_{\text{(DOM)}}^{(2)}$	Dominant time-out	See <a href="#">Figure 10</a>	1200	2000	2800	$\mu\text{s}$
<b>RECEIVER</b>						
$t_{\text{PLH}}$	Propagation delay time, low-to-high-level output	STB at 0 V, see <a href="#">Figure 6</a>		95		ns
$t_{\text{PHL}}$	Propagation delay time, high-to-low-level output	STB at 0 V, see <a href="#">Figure 6</a>		60		ns
$t_{\text{R}}$	Output signal rise time	STB at 0 V, see <a href="#">Figure 6</a>		13		ns
$t_{\text{F}}$	Output signal fall time	STB at 0 V, see <a href="#">Figure 6</a>		10		ns
$t_{\text{BUS}}$	Dominant time	HVDA551 only, required on bus for wake-up from standby, STB at $V_{\text{IO}}$ , see <a href="#">Figure 18</a> and <a href="#">Figure 19</a>	1.5		5	$\mu\text{s}$
$t_{\text{CLEAR}}$	Recessive time	HVDA551 only, on the bus to clear the standby mode receiver output (RXD) if standby mode is entered while bus is dominant, STB at $V_{\text{IO}}$ , see <a href="#">Figure 18</a> and <a href="#">Figure 19</a>	1.5		5	$\mu\text{s}$

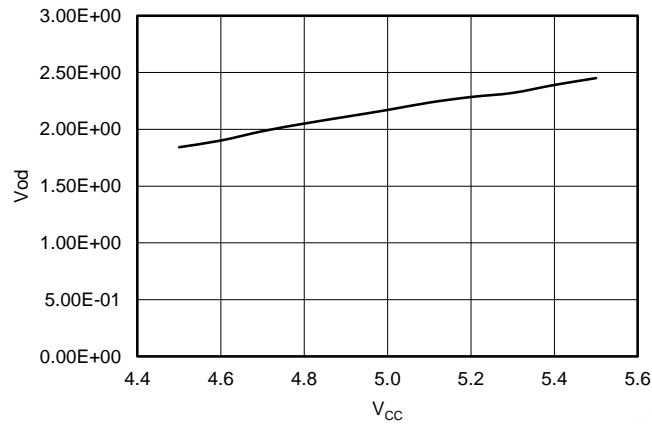
(1) All typical values are at 25°C and supply voltages of  $V_{\text{CC}} = 5\text{ V}$  and  $V_{\text{IO}} = 3.3\text{ V}$ .

(2) The TXD dominant time out ( $t_{\text{(DOM)}}$ ) disables the driver of the transceiver once the TXD has been dominant longer than  $t_{\text{(DOM)}}$ , which releases the bus lines to recessive, preventing a local failure from locking the bus dominant. The driver may only transmit dominant again after TXD has been returned HIGH (recessive). While this protects the bus from local faults, locking the bus dominant, it limits the minimum data rate possible. The CAN protocol allows a maximum of eleven successive dominant bits (on TXD) for the worst case, where five successive dominant bits are followed immediately by an error frame. This, along with the  $t_{\text{(DOM)}}$  minimum, limits the minimum bit rate. The minimum bit rate may be calculated by: Minimum Bit Rate =  $11 / t_{\text{(DOM)}} = 11\text{ bits} / 300\ \mu\text{s} = 37\text{ kbps}$



### 6.7 Typical Characteristic

$V_{IO} = 5\text{ V}$ ,  $STB = 0\text{ V}$ ,  $R_I = 60\ \Omega$ ,  $C_L = \text{open}$ ,  $RCM = \text{open}$ ,  $T_J = 25^\circ\text{C}$  (unless otherwise noted)



**Figure 1. V<sub>od</sub> vs V<sub>cc</sub> for HVDA55x**

## 7 Parameter Measurement Information

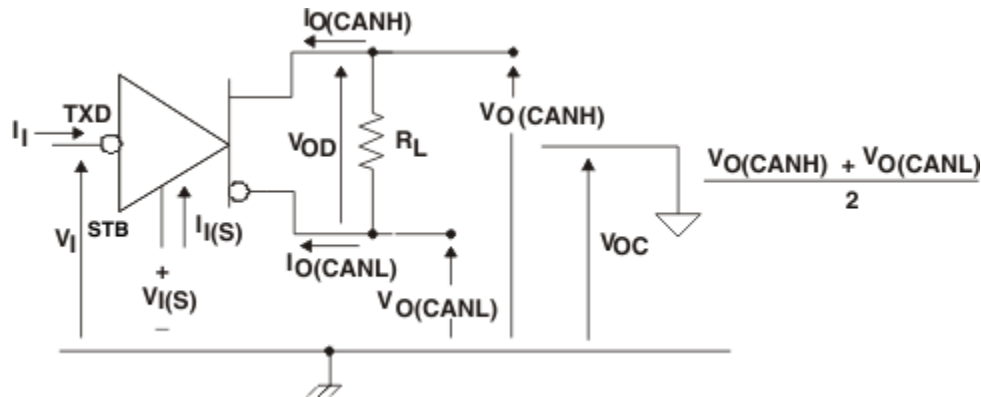


Figure 2. Driver Voltage, Current, and Test Definition

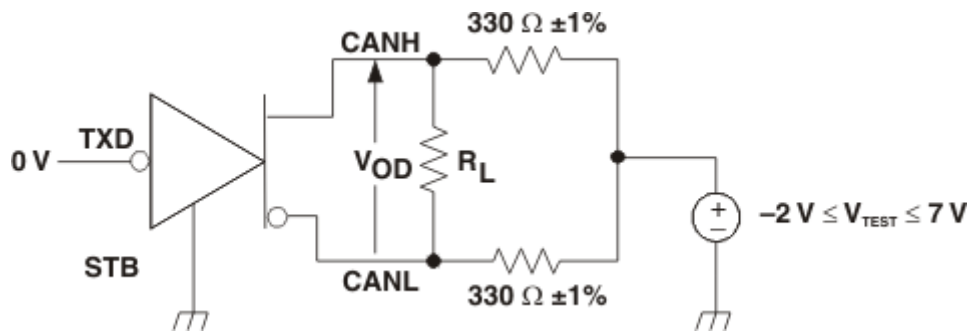
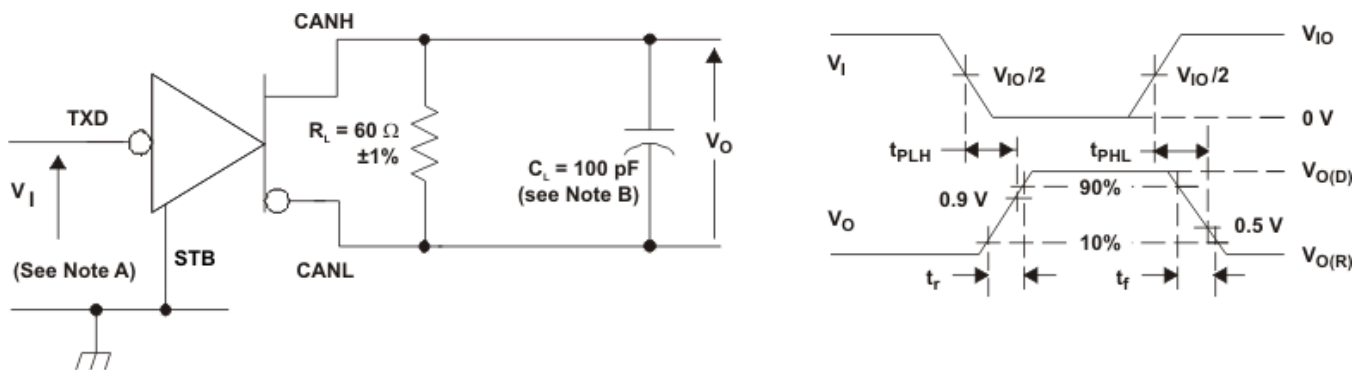


Figure 3. Driver  $V_{OD}$  Test Circuit



- The input pulse is supplied by a generator having the following characteristics:  $PRR \leq 125 \text{ kHz}$ , 50% duty cycle,  $t_r \leq 6 \text{ ns}$ ,  $t_f \leq 6 \text{ ns}$ ,  $Z_O = 50 \Omega$ .
- $C_L$  includes instrumentation and fixture capacitance within  $\pm 20\%$ .
- For HVDA553 device versions,  $V_{IO} = V_{CC}$ .

Figure 4. Driver Test Circuit and Voltage Waveforms

Parameter Measurement Information (continued)

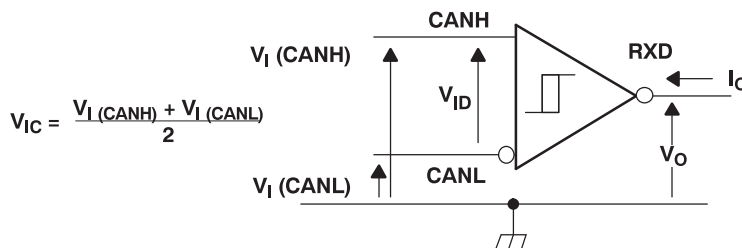
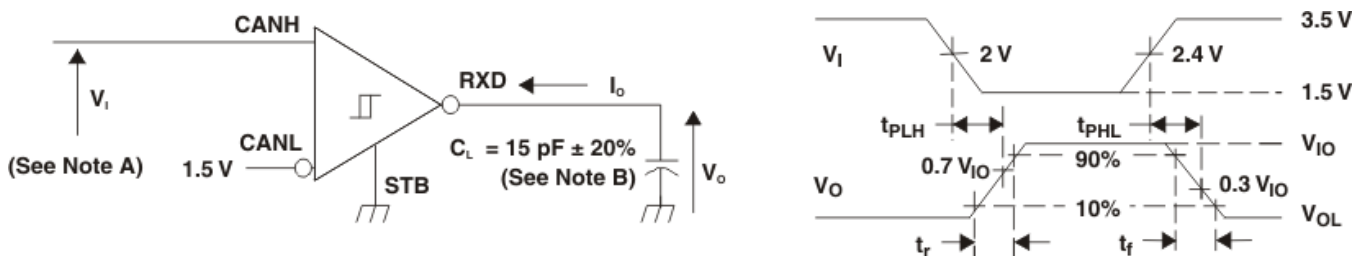


Figure 5. Receiver Voltage and Current Definitions

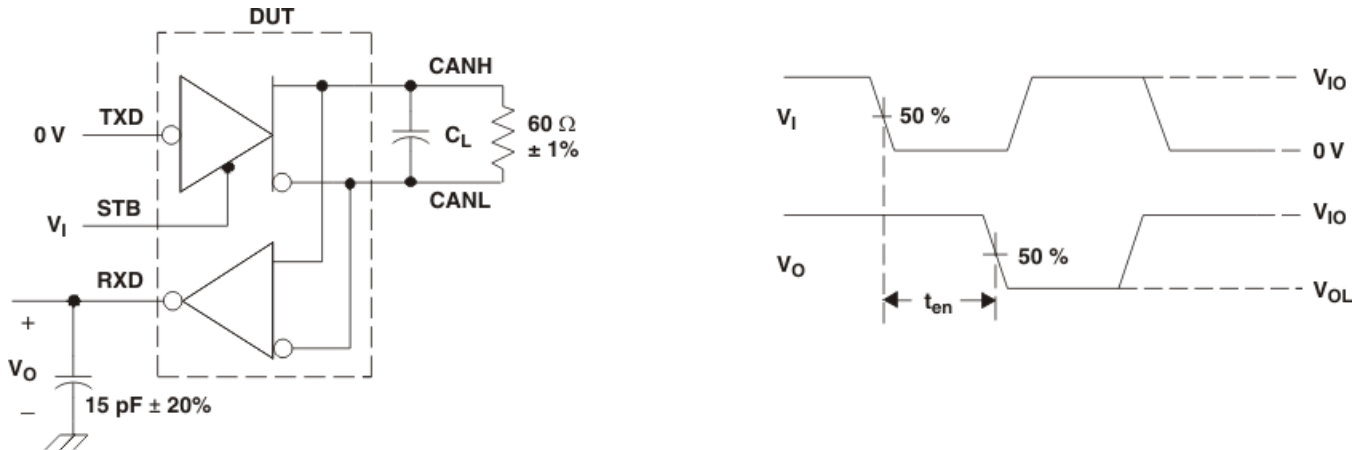


- A. The input pulse is supplied by a generator having the following characteristics: PRR ≤ 125 kHz, 50% duty cycle, tr ≤ 6 ns, tf ≤ 6 ns, ZO = 50 Ω.
- B. CL includes instrumentation and fixture capacitance within ±20%.
- C. For HVDA553 device versions VIO = VCC.

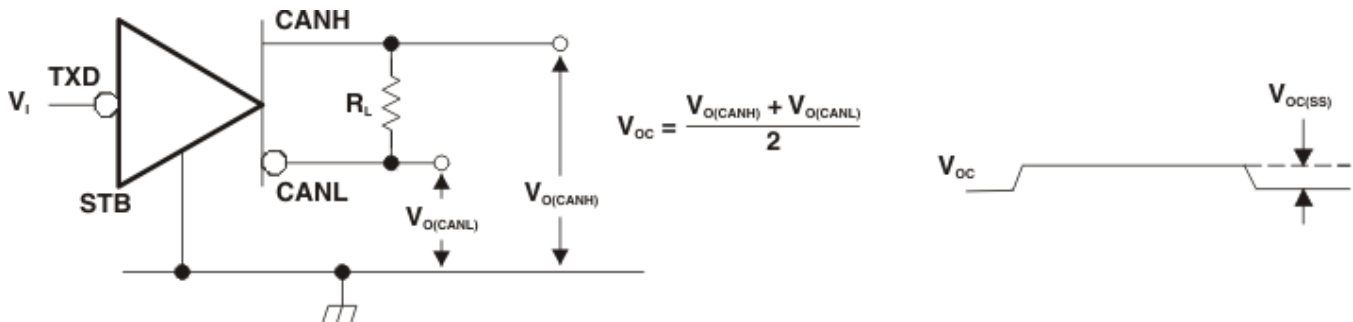
Figure 6. Receiver Test Circuit and Voltage Waveforms

Table 1. Differential Input Voltage Threshold Test

INPUT			OUTPUT	
V <sub>CANH</sub>	V <sub>CANL</sub>	V <sub>ID</sub>	R	
-11.1 V	-12 V	900 mV	L	V <sub>OL</sub>
12 V	11.1 V	900 mV	L	
-6 V	-12 V	6 V	L	
12 V	6 V	6 V	L	
-11.5 V	-12 V	500 mV	H	V <sub>OH</sub>
12 V	11.5 V	500 mV	H	
-12 V	-6 V	6 V	H	
6 V	12 V	6 V	H	
Open	Open	X	H	

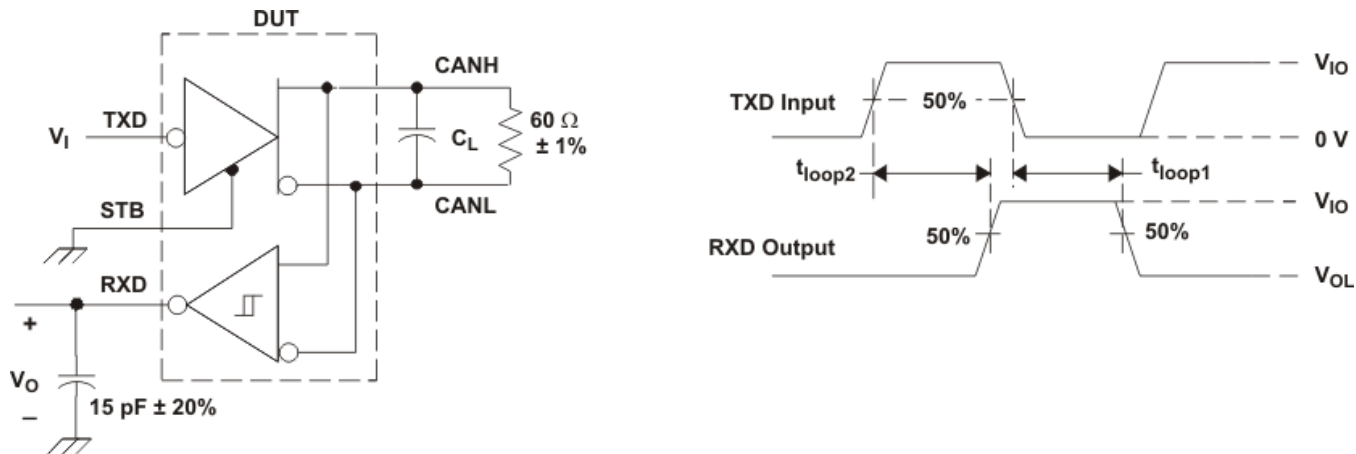


- $C_L = 100$  pF includes instrumentation and fixture capacitance within  $\pm 20\%$ .
- All  $V_I$  input pulses are from 0 V to  $V_{IO}$  and supplied by a generator having the following characteristics:  $t_r$  or  $t_f \leq 6$  ns. Pulse repetition rate (PRR) = 25 kHz, 50% duty cycle.
- For HVDA553 device versions,  $V_{IO} = V_{CC}$ .

**Figure 7.  $t_{EN}$  Test Circuit and Waveforms**


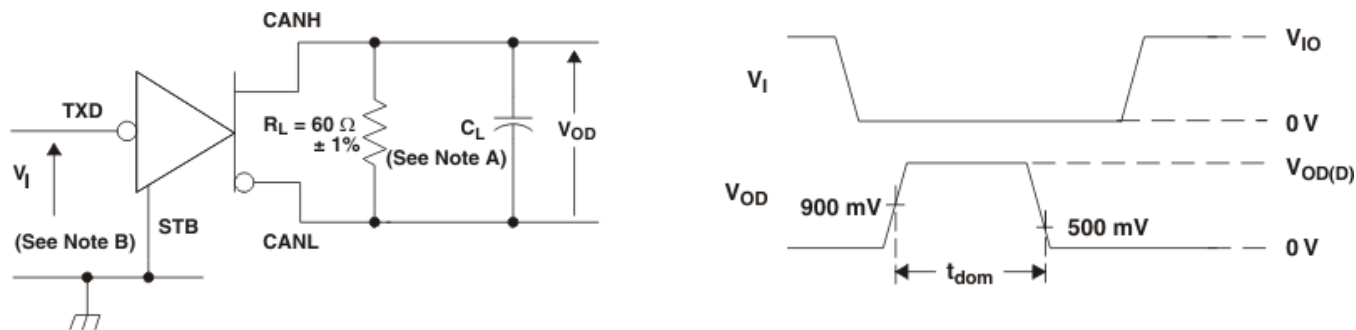
- All  $V_I$  input pulses are from 0 V to  $V_{IO}$  and supplied by a generator having the following characteristics:  $t_r$  or  $t_f \leq 6$  ns. Pulse repetition rate (PRR) = 125 kHz, 50% duty cycle.

**Figure 8. Common-Mode Output Voltage Test and Waveforms**



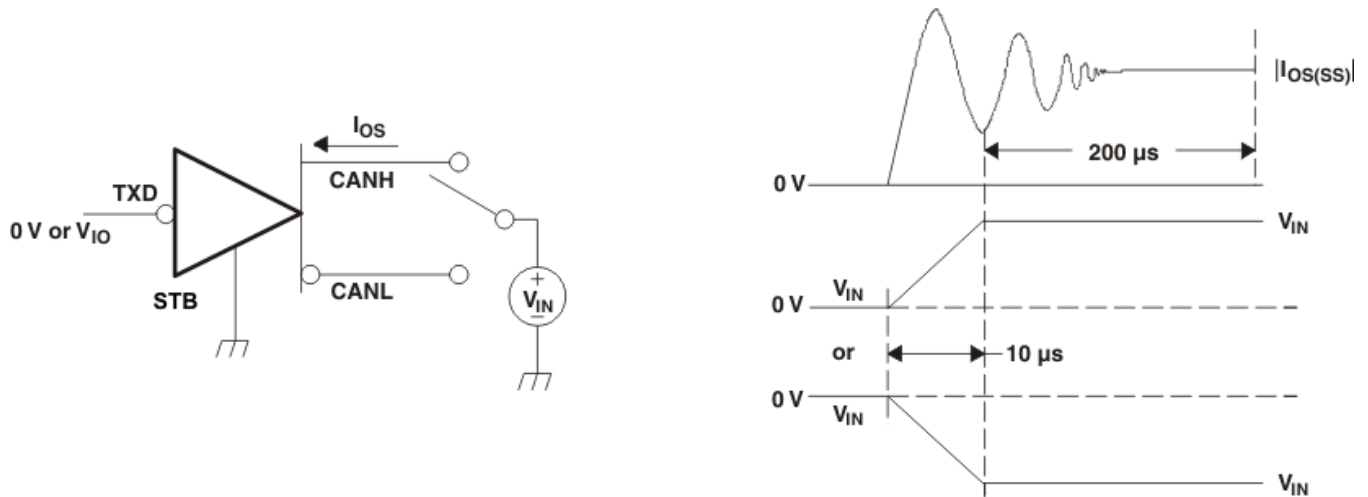
- A.  $C_L = 100 \text{ pF}$  includes instrumentation and fixture capacitance within  $\pm 20\%$ .
- B. All  $V_I$  input pulses are from 0 V to  $V_{IO}$  and supplied by a generator having the following characteristics:  $t_r$  or  $t_f \leq 6 \text{ ns}$ . Pulse repetition rate (PRR) = 125 kHz, 50% duty cycle.
- C. For HVDA553 device versions,  $V_{IO} = V_{CC}$ .

Figure 9.  $t_{PROP(LOOP)}$  Test Circuit and Waveform



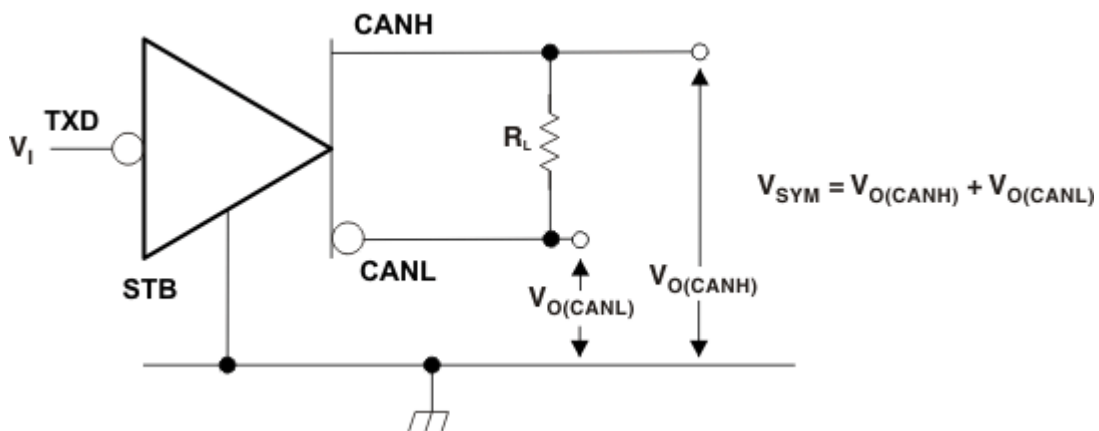
- A.  $C_L = 100 \text{ pF}$  includes instrumentation and fixture capacitance within  $\pm 20\%$ .
- B. All  $V_I$  input pulses are from 0 V to  $V_{IO}$  and supplied by a generator having the following characteristics:  $t_r$  or  $t_f \leq 6 \text{ ns}$ . Pulse repetition rate (PRR) = 500 Hz, 50% duty cycle.
- C. For HVDA553 device versions,  $V_{IO} = V_{CC}$ .

Figure 10. TXD Dominant Time-Out Test Circuit and Waveforms



- A. For HVDA553 device versions  $V_{IO} = V_{CC}$ .

**Figure 11. Driver Short-Circuit Current Test and Waveforms**



- A. All  $V_I$  input pulses are from 0 V to  $V_{IO}$  and supplied by a generator having the following characteristics:  $t_r$  and  $t_f \leq 6$  ns, pulse repetition rate (PRR) = 250 kHz, 50% duty cycle.

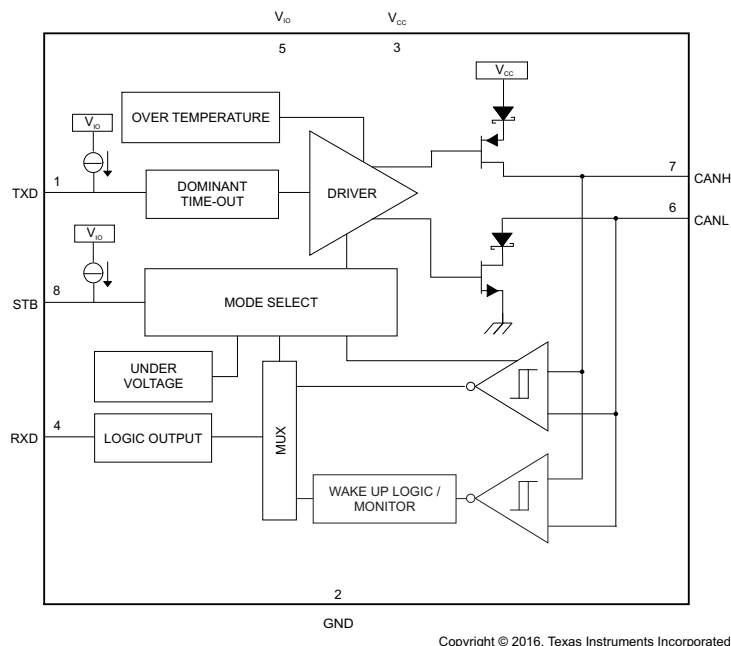
**Figure 12. Driver Output Symmetry Test Circuit**

## 8 Detailed Description

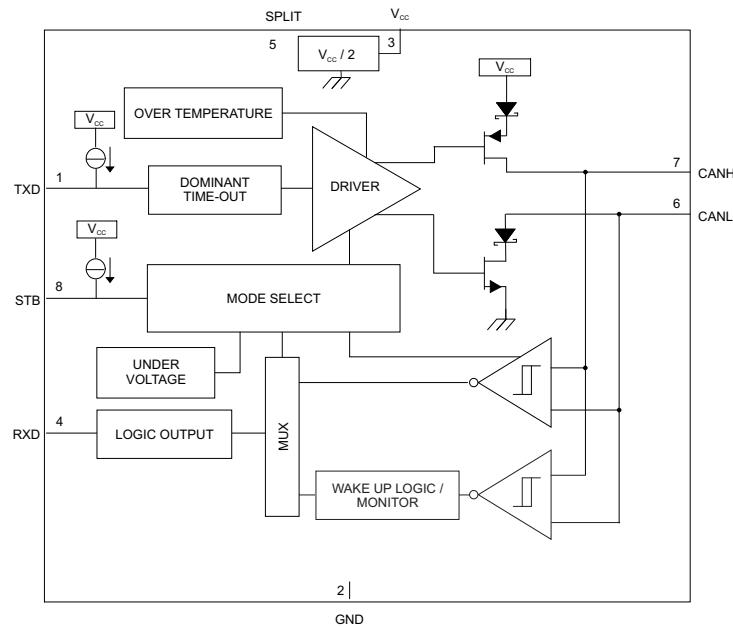
### 8.1 Overview

The device meets or exceeds the specifications of the ISO 11898 High-Speed CAN (Controller Area Network) Physical Layer standard (transceiver). This device provides CAN transceiver functions: differential transmit capability to the bus and differential receive capability at data rates up to 1 megabit per second (Mbps). The device includes many protection features providing device and CAN network robustness.

### 8.2 Functional Block Diagrams



**Figure 13. HVDA551 Block Diagram**

**Functional Block Diagrams (continued)**


Copyright © 2016, Texas Instruments Incorporated

**Figure 14. HVDA553 Block Diagram**
**8.3 Feature Description**
**8.3.1 Digital Inputs and Outputs**

The HVDA551 device has an I/O supply voltage input pin ( $V_{IO}$ ) to ratiometrically level shift the digital logic input and output levels with respect to  $V_{IO}$  for compatibility with protocol controllers having I/O supply voltages between 3 V and 5.33 V.

The HVDA553 devices have a single  $V_{CC}$  supply (5 V). The digital logic input and output levels for these devices are with respect to  $V_{CC}$  for compatibility with protocol controllers having I/O supply voltages between 4.68 V and 5.33 V.

**8.3.2 Using the HVDA553 With Split Termination**

The SPLIT pin voltage output provides  $0.5 \times V_{CC}$  in normal mode. The circuit may be used by the application to stabilize the common-mode voltage of the bus by connecting it to the center tap of split termination for the CAN network (see [Figure 15](#) and [Figure 23](#)). This pin provides a stabilizing recessive voltage drive to offset leakage currents of unpowered transceivers or other bias imbalances that might bring the network common-mode voltage away from  $0.5 \times V_{CC}$ . Using this feature in a CAN network improves electromagnetic emissions behavior of the network by eliminating fluctuations in the bus common-mode voltage levels at the start of message transmissions.



## Feature Description (continued)

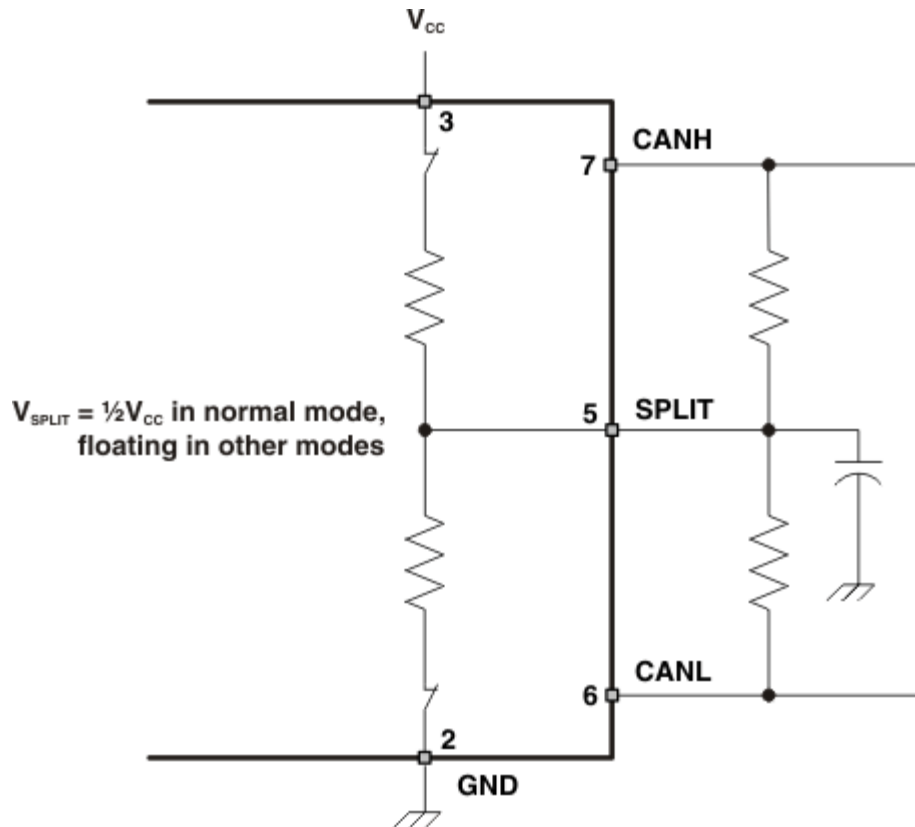


Figure 15. SPLIT Pin Circuitry and Application

### 8.3.3 Protection Features

#### 8.3.3.1 TXD Dominant State Time Out

During normal mode, the only mode where the CAN driver is active, the TXD dominant time-out circuit prevents the transceiver from blocking network communication in the event of a hardware or software failure where TXD is held dominant longer than the time-out period  $t_{(DOM)}$ . The dominant time-out circuit is triggered by a falling edge on TXD. If no rising edge is seen before the time-out constant of the circuit expires ( $t_{(DOM)}$ ) the CAN bus driver is disabled, freeing the bus for communication between other network nodes. The CAN driver is re-activated when a recessive signal is seen on the TXD pin, thus clearing the dominant-state time-out. The CAN bus pins are biased to the recessive level during a TXD dominant-state time-out.

#### NOTE

The maximum dominant TXD time allowed by the TXD dominant-state time-out limits the minimum possible data rate of the devices.

The CAN protocol allows a maximum of eleven successive dominant bits (on TXD) for the worst case, where five successive dominant bits are followed immediately by an error frame. This, along with the  $t_{(DOM)}$  minimum, limits the minimum bit rate. The minimum bit rate may be calculated by [Equation 1](#):

$$\text{Minimum Bit Rate} = 11 / t_{(DOM)} \quad (1)$$

#### 8.3.3.2 Thermal Shutdown

If the junction temperature of the device exceeds the thermal shutdown threshold, the device turns off the CAN driver circuits. This condition is cleared once the temperature drops below the thermal shutdown temperature of the device. The CAN bus pins are biased to the recessive level during a thermal shutdown.

## Feature Description (continued)

### 8.3.3.3 Undervoltage Lockout or Unpowered Device

Both of the supply pins have undervoltage detection, which places the device in forced standby mode to protect the bus during an undervoltage event on either the  $V_{CC}$  or  $V_{IO}$  supply pins. If  $V_{IO}$  is undervoltage, the RXD pin is forced to the high-impedance state and the device does not pass any wake-up signals from the bus to the RXD pin. Because the device is placed into forced standby mode, the CAN bus pins have a common-mode bias to ground, protecting the CAN network; see [Figure 16](#) and [Figure 17](#).

The device is designed to be an *ideal passive* load to the CAN bus if it is unpowered. The bus pins (CANH, CANL) have extremely low leakage currents when the device is unpowered, so they do not load down the bus but rather be a no-load. This is critical, especially if some nodes of the network are unpowered while the rest of the network remains in operation.

#### NOTE

Once an undervoltage condition is cleared and  $V_{CC}$  and  $V_{IO}$  have returned to valid levels, the device typically requires 300  $\mu$ s to transition to normal operation.

**Table 2. Undervoltage Protection**

DEVICE	$V_{CC}$	$V_{IO}$	DEVICE STATE	BUS	RXD
Both devices	Bad	Good	Forced standby mode	Common mode bias to GND <sup>(1)</sup>	Mirrors bus state through wake-up filter <sup>(2)</sup>
	Good	Bad	Forced standby mode <sup>(3)</sup>	Common mode bias to GND <sup>(1)</sup>	High Z
	Unpowered		Unpowered	No load	High Z

(1) See [Figure 16](#) and [Figure 17](#) for common-mode bias information.

(2) See [Figure 18](#) and [Figure 19](#) for operation of the low-power wake-up receiver and bus monitor for RXD wake-up request behavior and [Table 5](#) for the wake-up receiver threshold levels.

(3) When  $V_{IO}$  is undervoltage, the device is forced into standby mode with respect to the CAN bus, because there is not a valid digital reference to determine the digital I/O states or power the wake-up receiver.

### 8.3.3.4 Floating Pins

The device has integrated pullups and pulldowns on critical pins to place the device into known states if the pins float. The TXD and STB pins on the HVDA551 are pulled up to  $V_{IO}$ . This forces a recessive input level on TXD in the case of a floating TXD pin and prevents the device from entering into the low-power standby mode if the STB pin floats. In the case of the HVDA553 both the TXD and STB pins are pulled up to  $V_{CC}$ , which has the same effect.

### 8.3.3.5 CAN Bus Short-Circuit Current Limiting

The device has several protection features that limit the short-circuit current when a CAN bus line is shorted. These include CAN driver-current limiting (dominant and recessive) and TXD dominant-state time-out to prevent continuously driving dominant. During CAN communication, the bus switches between dominant and recessive states; thus, the short-circuit current may be viewed either as the current during each bus state or as a DC average current. For system current and power considerations in termination resistance and common-mode choke ratings, the average short-circuit current must be used. The device has TXD dominant-state time-out, which prevents permanently having the higher short-circuit current of dominant state. The CAN protocol also has forced state changes and recessive bits such as bit stuffing, control fields, and interframe space. These ensure there is a minimum recessive amount of time on the bus even if the data field contains a high percentage of dominant bits.

#### NOTE

The short-circuit current of the bus depends on the ratio of recessive to dominant bits and their respective short-circuit currents.

The average short-circuit current may be calculated with Equation 2:

$$I_{OS(AVG)} = \%Transmit \times [(\%REC\_Bits \times I_{OS(SS)\_REC}) + (\%DOM\_Bits \times I_{OS(SS)\_DOM})] + [\%Receive \times I_{OS(SS)\_REC}]$$

where

- $I_{OS(AVG)}$  is the average short-circuit current
  - %Transmit is the percentage the node is transmitting CAN messages
  - %Receive is the percentage the node is receiving CAN messages
  - %REC\_Bits is the percentage of recessive bits in the transmitted CAN messages
  - %DOM\_Bits is the percentage of dominant bits in the transmitted CAN messages
  - $I_{OS(SS)\_REC}$  is the recessive steady-state, short-circuit current
  - $I_{OS(SS)\_DOM}$  is the dominant steady-state, short-circuit current
- (2)

### 8.4 Device Functional Modes

These devices have two main operating modes: normal mode and standby mode. Table 3 lists these modes in detail. Operating mode selection is made through the STB input pin.

Table 3. Operating Modes

DEVICE	STB	MODE	DRIVER	RECEIVER	RXD Pin
All devices	LOW	Normal mode	Enabled (On)	Enabled (On)	Mirrors bus state <sup>(1)</sup>
	HIGH	Standby mode (RXD wake-up request)	Disabled (Off)	Low-power wake-up receiver and bus monitor enabled	Mirrors bus state through wake-up filter <sup>(2)</sup>

(1) Mirrors bus state: LOW if CAN bus is dominant, HIGH if CAN bus is recessive.

(2) See Figure 18 and Figure 19 for operation of the low-power wake-up receiver and bus monitor for RXD wake-up request behavior and Table 5 for the wake-up receiver threshold levels.

#### 8.4.1 Bus States by Mode

The CAN bus has three valid states during powered operation, depending on the mode of the device. In normal mode, the bus may be dominant (logic LOW) where the bus lines are driven differentially apart, or the bus may be recessive (logic HIGH) where the bus lines are biased to  $V_{CC} / 2$  through the high-ohmic internal input resistors  $R_{IN}$  of the receiver. The third state is low-power standby mode where the bus lines are biased to GND through the high-ohmic internal input resistors  $R_{IN}$  of the receiver.

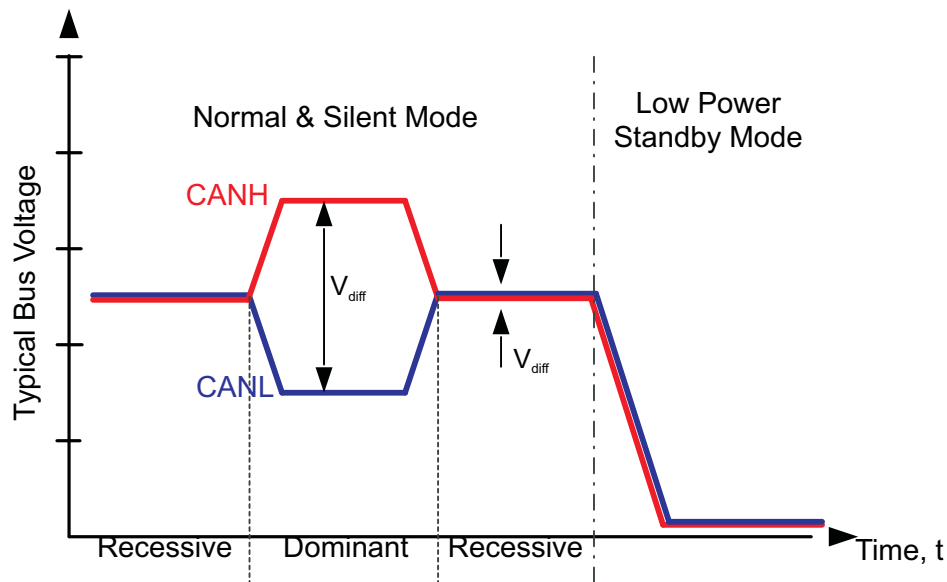
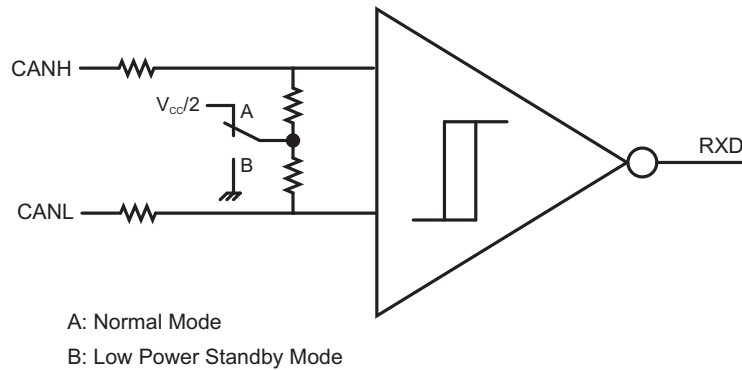


Figure 16. Bus States (Physical Bit Representation)



**Figure 17. Simplified Common-Mode Bias and Receiver Implementation**

### 8.4.2 Normal Mode

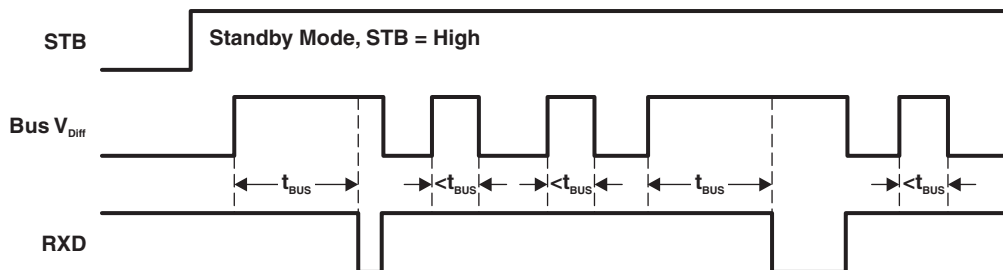
This is the normal operating mode of the device. Normal mode is selected by setting STB low. The CAN driver and receiver are fully operational and CAN communication is bidirectional. The driver is translating a digital input on TXD to a differential output on CANH and CANL. The receiver is translating the differential signal from CANH and CANL to a digital output on RXD. In recessive state, the CAN bus pins (CANH and CANL) are biased to  $0.5 \times V_{CC}$ . In dominant state, the bus pins are driven differentially apart. Logic high is equivalent to recessive on the bus, and logic low is equivalent to a dominant (differential) signal on the bus.

### 8.4.3 Standby Mode With RXD Wake-Up Request

This is the low-power mode of the device. Standby mode is selected by setting STB high. The CAN driver and main receiver are turned off and bidirectional CAN communication is not possible. The low-power receiver and bus monitor, both supplied through the  $V_{IO}$  supply, are enabled to allow for RXD wake-up requests through the CAN bus. The  $V_{CC}$  (5-V) supply may be turned off for additional power savings at the system level. A wake-up request is output to RXD (driven low) for any dominant bus transmissions longer than the filter time  $t_{BUS}$ . The local protocol controller (MCU) must monitor RXD for transitions and then reactivate the device to normal mode based on the wake-up request. The 5-V ( $V_{CC}$ ) supply must be reactivated by the local protocol controller to resume normal mode if it has been turned off for low-power standby operation. The CAN bus pins are weakly pulled to GND, see [Figure 16](#) and [Figure 17](#).

#### 8.4.3.1 RXD Wake-Up Request Lockout for Bus-Stuck Dominant Fault (HVDA551)

If the bus has a fault condition where it is stuck dominant while the HVDA551 is placed into standby mode through the STB pin, the device locks out the RXD wake-up request until the fault has been removed to prevent false wake-up signals in the system.



**Figure 18. HVDA551 RXD Wake-Up Request With No Bus Fault Condition**

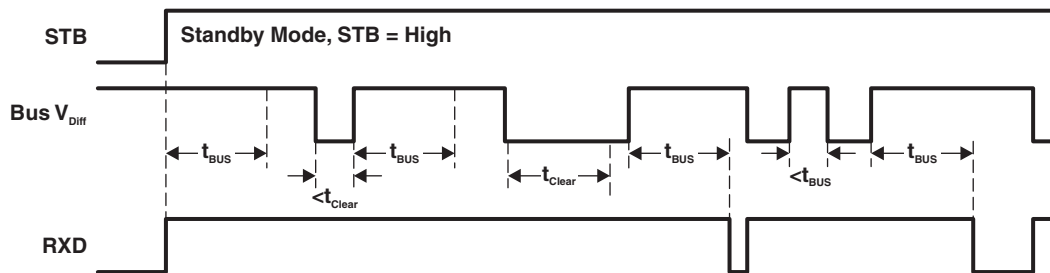


Figure 19. HVDA551 RXD Wake-Up Request Lockout During Bus Dominant Fault Condition

#### 8.4.4 Driver and Receiver Function Tables

Table 4 shows the behavior of devices when in driver mode.

Table 4. Driver Function Table

DEVICE	INPUTS		OUTPUTS		DRIVEN BUS STATE
	STB / S <sup>(1)</sup>	TXD <sup>(1)</sup>	CANH <sup>(1)</sup>	CANL <sup>(1)</sup>	
Both devices	L	L	H	L	Dominant
	L	H	Z	Z	Recessive
	L	Open	Z	Z	Recessive
HVDA551, HVDA553 <sup>(2)</sup>	H	X	Y	Y	Recessive

- (1) H = high level, L = low level, X = irrelevant, Y = common-mode bias to GND, Z = common-mode bias to  $V_{CC} / 2$ . See Figure 16 and Figure 17 for common-mode bias information.
- (2) HVDA551 and HVDA553 have internal pullup to  $V_{IO}$  on the STB pin. If the STB pin is open, the pin is pulled high and the device is in standby mode.

Table 5. Receiver Function Table

DEVICE MODE	CAN DIFFERENTIAL INPUTS $V_{ID} = V(CANH) - V(CANL)$	BUS STATE	RXD PIN <sup>(1)</sup>
Standby with RXD wake-up request (HVDA551, HVDA553) <sup>(2)</sup>	$V_{ID} \geq 1.15 V$	DOMINANT	L
	$0.4 V < V_{ID} < 1.15 V$	?	?
	$V_{ID} \leq 0.4 V$	RECESSIVE	H
NORMAL	$V_{ID} \geq 0.9 V$	DOMINANT	L
	$0.5 V < V_{ID} < 0.9 V$	?	?
	$V_{ID} \leq 0.5 V$	RECESSIVE	H
ANY	Open	N/A	H

- (1) H = high level, L = low level, X = irrelevant, ? = indeterminate.
- (2) While STB is high (standby mode) the RXD output of the HVDA551 functions according to the levels above and the wake-up conditions shown in Figure 18 and Figure 19.

## 9 Application and Implementation

### NOTE

Information in the following applications sections is not part of the TI component specification, and TI does not warrant its accuracy or completeness. TI's customers are responsible for determining suitability of components for their purposes. Customers should validate and test their design implementation to confirm system functionality.

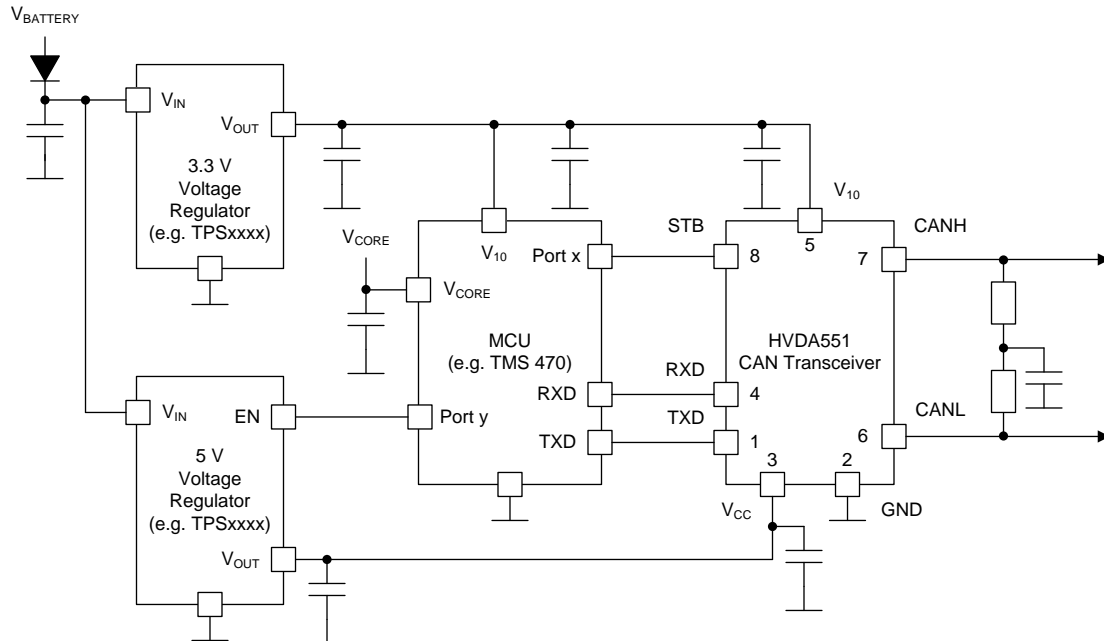
### 9.1 Application Information

These CAN transceivers are typically used in applications with a host microprocessor or FPGA that includes the data link layer portion of the CAN protocol. The following typical application configurations are for both 5-V and 3.3-V microprocessor applications. The bus termination is shown for illustrative purposes.

### 9.2 Typical Applications

Some typical applications for the HVDA55x family are shown in the following sections.

#### 9.2.1 3.3-V I/O Voltage Level in Low-Power Mode



Copyright © 2016, Texas Instruments Incorporated

5-V V<sub>CC</sub> Not Required in Low-Power Mode

**Figure 20. Typical Application Using the HVDA551 With 3.3-V I/O Voltage Level in Low-Power Mode**

#### 9.2.1.1 Design Requirements

The ISO 11898-2 Standard specifies a maximum bus length of 40 m and maximum stub length of 0.3 m. However, with careful design, users can have longer cables, longer stub lengths, and many more nodes to a bus. A large number of nodes requires transceivers with high input impedance such as the HVDA55x family of transceivers.

Many CAN organizations and standards have scaled the use of CAN for applications outside the original ISO 11898-2. They have made system-level trade-offs for data rate, cable length, and parasitic loading of the bus. Examples of some of these specifications are ARINC825, CANopen, DeviceNet, and NMEA2000.

Typical Applications (continued)

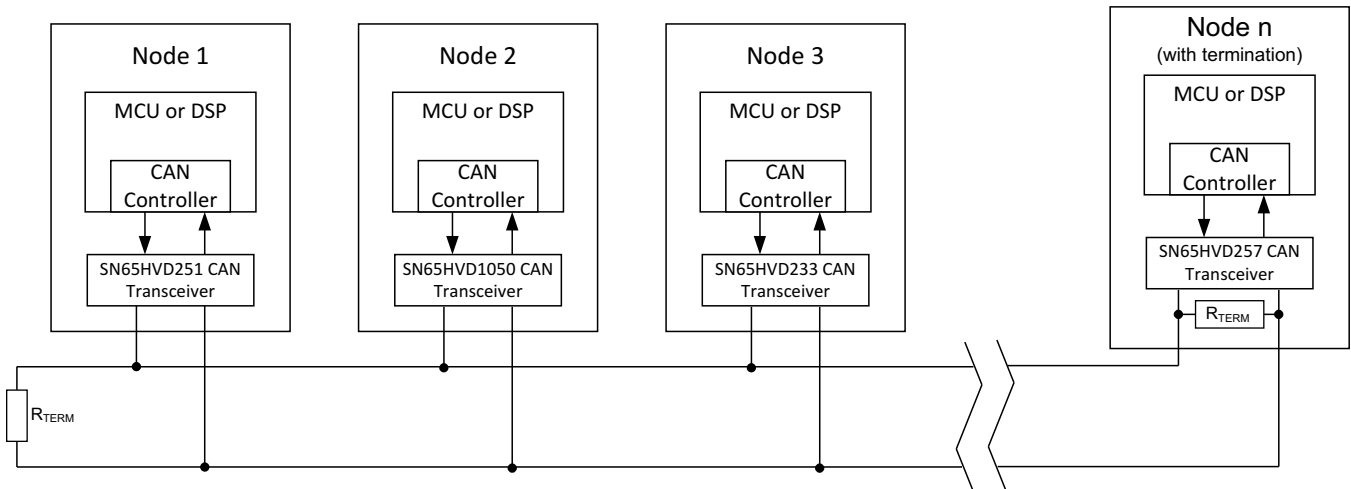


Figure 21. Typical CAN Bus

9.2.1.2 Detailed Design Procedure

The ISO 11898 standard specifies the interconnect to be a twisted pair cable (shielded or unshielded) with 120-Ω characteristic impedance ( $Z_0$ ). Resistors equal to the characteristic impedance of the line must be used to terminate both ends of the cable to prevent signal reflections. Unterminated drop lines (stubs) connecting nodes to the bus must be kept as short as possible to minimize signal reflections. The termination may be on the cable or in a node, but if nodes may be removed from the bus, the termination must be carefully placed so that two terminations always exist on the network.

Termination may be a single 120-Ω resistor at the end of the bus, either on the cable or in a terminating node. If filtering and stabilization of the common-mode voltage of the bus is desired, then split termination may be used (see Figure 22). Split termination improves the electromagnetic emissions behavior of the network by eliminating fluctuations in the bus common-mode voltages at the start and end of message transmissions.

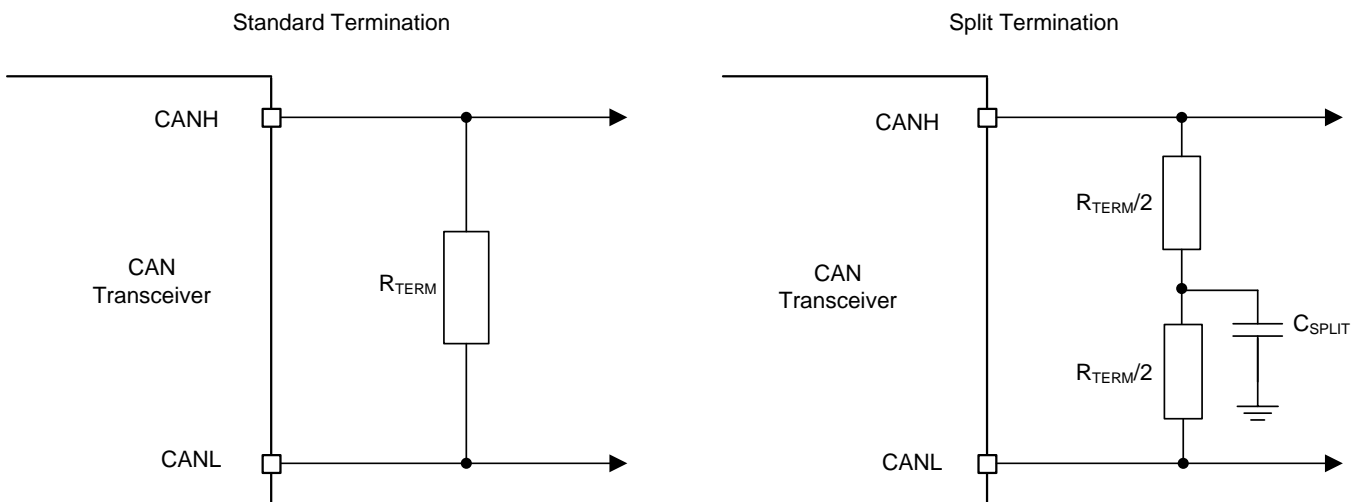
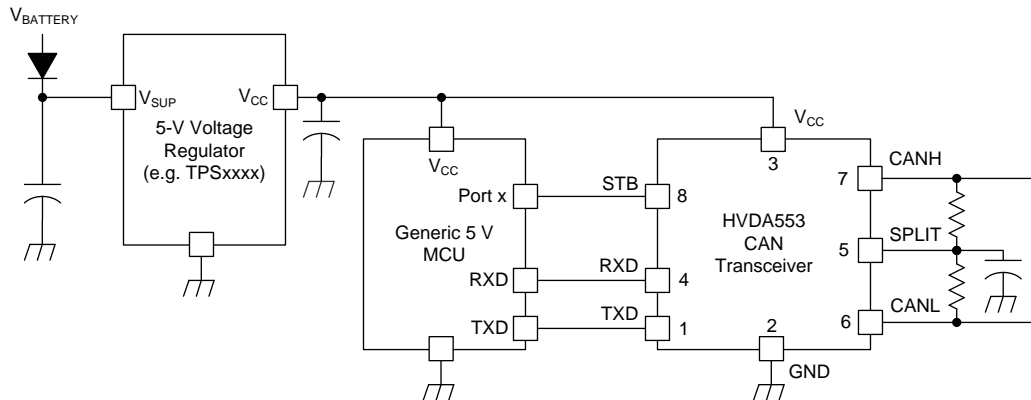


Figure 22. CAN Bus Termination Concepts

The family of transceivers have variants for both 5-V-only applications, and applications where level shifting is needed for a 3.3-V microcontroller.

Typical Applications (continued)



Copyright © 2016, Texas Instruments Incorporated

Figure 23. Typical Application Using the HVDA553 With SPLIT Termination Diagram

9.2.1.2.1 Loop Propagation Delay

Transceiver loop delay is a measure of the overall device propagation delay and consists of the delay from driver input (TXD pin) to differential outputs (CANH and CANL), plus the delay from the receiver inputs (CANH and CANL) to the RXD output pin.

In Figure 24 is displayed the loop delay at 1 Mbps with  $V_{IO}$  equal to 3.3 V

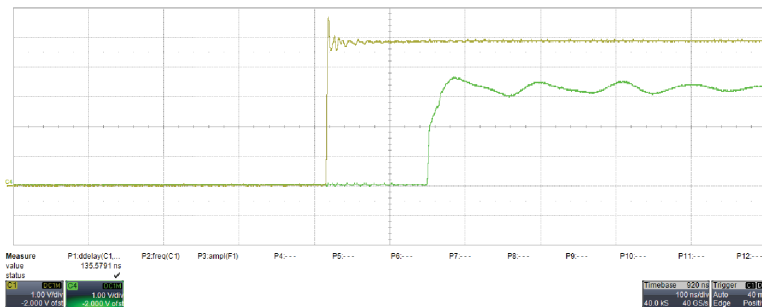


Figure 24. t\_LOOP Delay

9.2.1.3 Application Curves

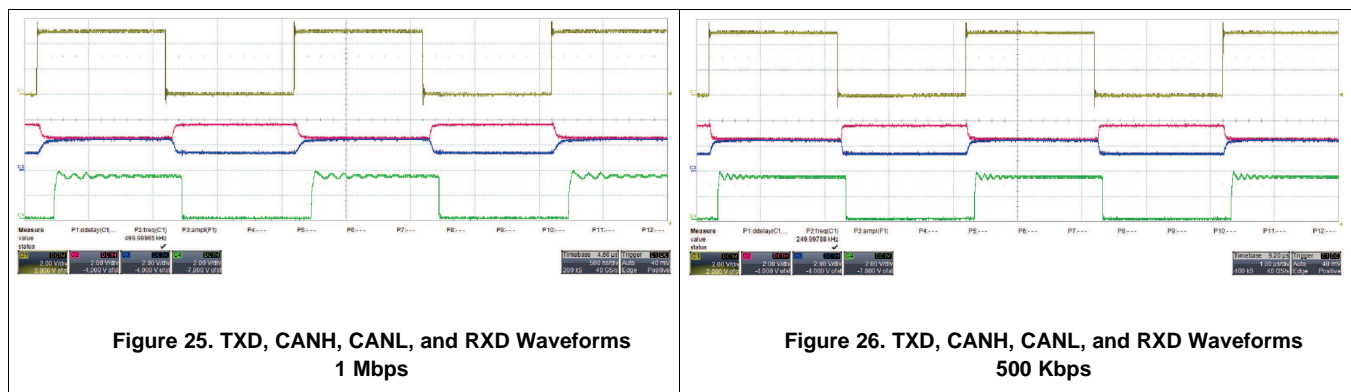


Figure 25. TXD, CANH, CANL, and RXD Waveforms 1 Mbps

Figure 26. TXD, CANH, CANL, and RXD Waveforms 500 Kbps



## 10 Power Supply Recommendations

To ensure reliable operation at all data rates and supply voltages, each supply must be decoupled with a 100-nF ceramic capacitor placed as close to the  $V_{CC}$  supply pins as possible. Either a linear regulator or switched-mode power supply may be used. Power and ground nets must be routed on the PCB using planes or wide traces so that series resistance and inductance are minimized.

## 11 Layout

### 11.1 Layout Guidelines

HVDA551 and HVDA553 families come with high on-chip IEC ESD protection, but if higher levels are desired, external TVS diodes can be used. TVS diodes and bus-filtering capacitors must be placed as close as possible to board connectors to prevent noisy transient events into PCB. Placement at the connector also prevents these harsh transient events from propagating further into the PCB and system. Use  $V_{CC}$  and ground planes to provide low inductances. High frequency current follows the path of least impedance and not the path of least resistance. TI recommends designing the bus protection components in the direction of the signal path. Do not force transient current to divert from signal path to reach protection device.

- Place the protection and filtering circuitry as close to the bus connector, J1, to prevent transients, ESD and noise from propagating onto the board. In this layout example, a transient voltage suppression (TVS) device, D1, has been used for added protection. The production solution can be either bidirectional TVS diode or varistor with ratings matching the application requirements. This example also shows optional bus filter capacitors C4 and C5. Additionally (not shown) a series common mode choke (CMC) can be placed on the CANH and CANL lines between the transceiver U1 and connector J1.
- Design the bus protection components in the direction of the signal path. Do not force the transient current to divert from the signal path to reach the protection device.
- Use supply ( $V_{CC}$ ) and ground planes to provide low inductance.

---

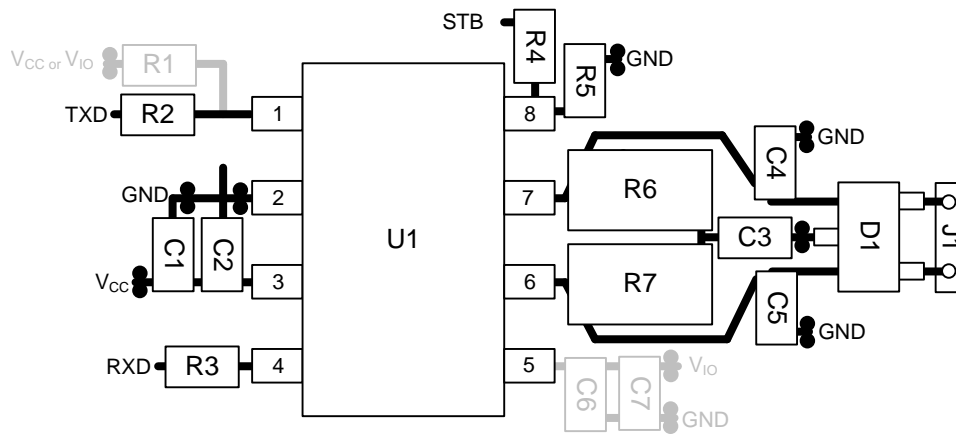
#### NOTE

High-frequency currents follows the path of least impedance and not the path of least resistance.

---

- Use at least two vias for supply ( $V_{CC}$ ) and ground connections of bypass capacitors and protection devices to minimize trace and via inductance.
- Bypass and bulk capacitors must be placed as close as possible to the supply terminals of transceiver, examples are C1 and C2 on the  $V_{CC}$  supply and C6 and C7 on the  $V_{IO}$  supply.
- Bus termination: this layout example shows split termination. This is where the termination is split into two resistors, R6 and R7, with the center or split tap of the termination connected to ground through capacitor C3. Split termination provides common-mode filtering for the bus. When bus termination is placed on the board instead of directly on the bus, take additional care to ensure the terminating node is not removed from the bus thus also removing the termination.
- To limit current of digital lines, serial resistors may be used. Examples are R2, R3, and R4. These are not required.
- Terminal 1: R1 is shown optionally for the TXD input of the device. If an open-drain host processor is used, this is mandatory to ensure the bit timing into the device is met.
- Terminal 5: For devices with a VIO input, bypass capacitors must be placed as close to the pin as possible (example C6 and C7). In devices without a VIO input, this pin is not internally connected and can be left floating or tied to any existing net (for example, a split pin connection).
- Terminal 8 is shown assuming the mode terminal, STB, will be used. If the device is only used in normal mode, R4 is not needed and R5 could be used for the pulldown resistor to GND.

## 11.2 Layout Example



**Figure 27. HVDA551 Layout Example Recommendation**

## 12 Device and Documentation Support

### 12.1 Documentation Support

#### 12.1.1 Related Documentation

For related documentation see the following:

[I<sub>0</sub> Quiescent Current in Standby / Silent Mode \(SLLZ073\)](#)

### 12.2 Related Links

The table below lists quick access links. Categories include technical documents, support and community resources, tools and software, and quick access to sample or buy.

**Table 6. Related Links**

PARTS	PRODUCT FOLDER	SAMPLE & BUY	TECHNICAL DOCUMENTS	TOOLS & SOFTWARE	SUPPORT & COMMUNITY
HVDA551-Q1	<a href="#">Click here</a>	<a href="#">Click here</a>	<a href="#">Click here</a>	<a href="#">Click here</a>	<a href="#">Click here</a>
HVDA553-Q1	<a href="#">Click here</a>	<a href="#">Click here</a>	<a href="#">Click here</a>	<a href="#">Click here</a>	<a href="#">Click here</a>

### 12.3 Receiving Notification of Documentation Updates

To receive notification of documentation updates, navigate to the device product folder on ti.com. In the upper right corner, click on *Alert me* to register and receive a weekly digest of any product information that has changed. For change details, review the revision history included in any revised document.

### 12.4 Community Resource

The following links connect to TI community resources. Linked contents are provided "AS IS" by the respective contributors. They do not constitute TI specifications and do not necessarily reflect TI's views; see TI's [Terms of Use](#).

**TI E2E™ Online Community** *TI's Engineer-to-Engineer (E2E) Community*. Created to foster collaboration among engineers. At e2e.ti.com, you can ask questions, share knowledge, explore ideas and help solve problems with fellow engineers.

**Design Support** *TI's Design Support* Quickly find helpful E2E forums along with design support tools and contact information for technical support.

### 12.5 Trademarks

E2E is a trademark of Texas Instruments.

All other trademarks are the property of their respective owners.

### 12.6 Electrostatic Discharge Caution



These devices have limited built-in ESD protection. The leads should be shorted together or the device placed in conductive foam during storage or handling to prevent electrostatic damage to the MOS gates.

### 12.7 Glossary

[SLYZ022](#) — *TI Glossary*.

This glossary lists and explains terms, acronyms, and definitions.

## 13 Mechanical, Packaging, and Orderable Information

The following pages include mechanical, packaging, and orderable information. This information is the most current data available for the designated devices. This data is subject to change without notice and revision of this document. For browser-based versions of this data sheet, refer to the left-hand navigation.

**PACKAGING INFORMATION**

Orderable Device	Status (1)	Package Type	Package Drawing	Pins	Package Qty	Eco Plan (2)	Lead finish/ Ball material (6)	MSL Peak Temp (3)	Op Temp (°C)	Device Marking (4/5)	Samples
HVDA551QDRQ1	ACTIVE	SOIC	D	8	2500	RoHS & Green	NIPDAU	Level-1-260C-UNLIM	-40 to 125	H551Q	<a href="#">Samples</a>
HVDA553QDRQ1	ACTIVE	SOIC	D	8	2500	RoHS & Green	NIPDAU	Level-1-260C-UNLIM	-40 to 125	H553Q	<a href="#">Samples</a>

(1) The marketing status values are defined as follows:

**ACTIVE:** Product device recommended for new designs.

**LIFEBUY:** TI has announced that the device will be discontinued, and a lifetime-buy period is in effect.

**NRND:** Not recommended for new designs. Device is in production to support existing customers, but TI does not recommend using this part in a new design.

**PREVIEW:** Device has been announced but is not in production. Samples may or may not be available.

**OBSELETE:** TI has discontinued the production of the device.

(2) **RoHS:** TI defines "RoHS" to mean semiconductor products that are compliant with the current EU RoHS requirements for all 10 RoHS substances, including the requirement that RoHS substance do not exceed 0.1% by weight in homogeneous materials. Where designed to be soldered at high temperatures, "RoHS" products are suitable for use in specified lead-free processes. TI may reference these types of products as "Pb-Free".

**RoHS Exempt:** TI defines "RoHS Exempt" to mean products that contain lead but are compliant with EU RoHS pursuant to a specific EU RoHS exemption.

**Green:** TI defines "Green" to mean the content of Chlorine (Cl) and Bromine (Br) based flame retardants meet JS709B low halogen requirements of <=1000ppm threshold. Antimony trioxide based flame retardants must also meet the <=1000ppm threshold requirement.

(3) MSL, Peak Temp. - The Moisture Sensitivity Level rating according to the JEDEC industry standard classifications, and peak solder temperature.

(4) There may be additional marking, which relates to the logo, the lot trace code information, or the environmental category on the device.

(5) Multiple Device Markings will be inside parentheses. Only one Device Marking contained in parentheses and separated by a "~" will appear on a device. If a line is indented then it is a continuation of the previous line and the two combined represent the entire Device Marking for that device.

(6) Lead finish/Ball material - Orderable Devices may have multiple material finish options. Finish options are separated by a vertical ruled line. Lead finish/Ball material values may wrap to two lines if the finish value exceeds the maximum column width.

**Important Information and Disclaimer:**The information provided on this page represents TI's knowledge and belief as of the date that it is provided. TI bases its knowledge and belief on information provided by third parties, and makes no representation or warranty as to the accuracy of such information. Efforts are underway to better integrate information from third parties. TI has taken and continues to take reasonable steps to provide representative and accurate information but may not have conducted destructive testing or chemical analysis on incoming materials and chemicals. TI and TI suppliers consider certain information to be proprietary, and thus CAS numbers and other limited information may not be available for release.

In no event shall TI's liability arising out of such information exceed the total purchase price of the TI part(s) at issue in this document sold by TI to Customer on an annual basis.



**TAPE AND REEL INFORMATION**

**QUADRANT ASSIGNMENTS FOR PIN 1 ORIENTATION IN TAPE**


\*All dimensions are nominal

Device	Package Type	Package Drawing	Pins	SPQ	Reel Diameter (mm)	Reel Width W1 (mm)	A0 (mm)	B0 (mm)	K0 (mm)	P1 (mm)	W (mm)	Pin1 Quadrant
HVDA551QDRQ1	SOIC	D	8	2500	330.0	12.4	6.4	5.2	2.1	8.0	12.0	Q1
HVDA553QDRQ1	SOIC	D	8	2500	330.0	12.4	6.4	5.2	2.1	8.0	12.0	Q1

## TAPE AND REEL BOX DIMENSIONS



\*All dimensions are nominal

Device	Package Type	Package Drawing	Pins	SPQ	Length (mm)	Width (mm)	Height (mm)
HVDA551QDRQ1	SOIC	D	8	2500	356.0	356.0	35.0
HVDA553QDRQ1	SOIC	D	8	2500	356.0	356.0	35.0



D0008A

# PACKAGE OUTLINE

SOIC - 1.75 mm max height

SMALL OUTLINE INTEGRATED CIRCUIT



4214825/C 02/2019

### NOTES:

1. Linear dimensions are in inches [millimeters]. Dimensions in parenthesis are for reference only. Controlling dimensions are in inches. Dimensioning and tolerancing per ASME Y14.5M.
2. This drawing is subject to change without notice.
3. This dimension does not include mold flash, protrusions, or gate burrs. Mold flash, protrusions, or gate burrs shall not exceed  $.006$  [0.15] per side.
4. This dimension does not include interlead flash.
5. Reference JEDEC registration MS-012, variation AA.



# EXAMPLE BOARD LAYOUT

D0008A

SOIC - 1.75 mm max height

SMALL OUTLINE INTEGRATED CIRCUIT



LAND PATTERN EXAMPLE  
 EXPOSED METAL SHOWN  
 SCALE:8X



SOLDER MASK DETAILS

4214825/C 02/2019

NOTES: (continued)

- 6. Publication IPC-7351 may have alternate designs.
- 7. Solder mask tolerances between and around signal pads can vary based on board fabrication site.

# EXAMPLE STENCIL DESIGN

D0008A

SOIC - 1.75 mm max height

SMALL OUTLINE INTEGRATED CIRCUIT



SOLDER PASTE EXAMPLE  
BASED ON .005 INCH [0.125 MM] THICK STENCIL  
SCALE:8X

4214825/C 02/2019

NOTES: (continued)

8. Laser cutting apertures with trapezoidal walls and rounded corners may offer better paste release. IPC-7525 may have alternate design recommendations.
9. Board assembly site may have different recommendations for stencil design.

## IMPORTANT NOTICE AND DISCLAIMER

TI PROVIDES TECHNICAL AND RELIABILITY DATA (INCLUDING DATA SHEETS), DESIGN RESOURCES (INCLUDING REFERENCE DESIGNS), APPLICATION OR OTHER DESIGN ADVICE, WEB TOOLS, SAFETY INFORMATION, AND OTHER RESOURCES "AS IS" AND WITH ALL FAULTS, AND DISCLAIMS ALL WARRANTIES, EXPRESS AND IMPLIED, INCLUDING WITHOUT LIMITATION ANY IMPLIED WARRANTIES OF MERCHANTABILITY, FITNESS FOR A PARTICULAR PURPOSE OR NON-INFRINGEMENT OF THIRD PARTY INTELLECTUAL PROPERTY RIGHTS.

These resources are intended for skilled developers designing with TI products. You are solely responsible for (1) selecting the appropriate TI products for your application, (2) designing, validating and testing your application, and (3) ensuring your application meets applicable standards, and any other safety, security, regulatory or other requirements.

These resources are subject to change without notice. TI grants you permission to use these resources only for development of an application that uses the TI products described in the resource. Other reproduction and display of these resources is prohibited. No license is granted to any other TI intellectual property right or to any third party intellectual property right. TI disclaims responsibility for, and you will fully indemnify TI and its representatives against, any claims, damages, costs, losses, and liabilities arising out of your use of these resources.

TI's products are provided subject to [TI's Terms of Sale](#) or other applicable terms available either on [ti.com](http://ti.com) or provided in conjunction with such TI products. TI's provision of these resources does not expand or otherwise alter TI's applicable warranties or warranty disclaimers for TI products.

TI objects to and rejects any additional or different terms you may have proposed.

Mailing Address: Texas Instruments, Post Office Box 655303, Dallas, Texas 75265  
Copyright © 2022, Texas Instruments Incorporated