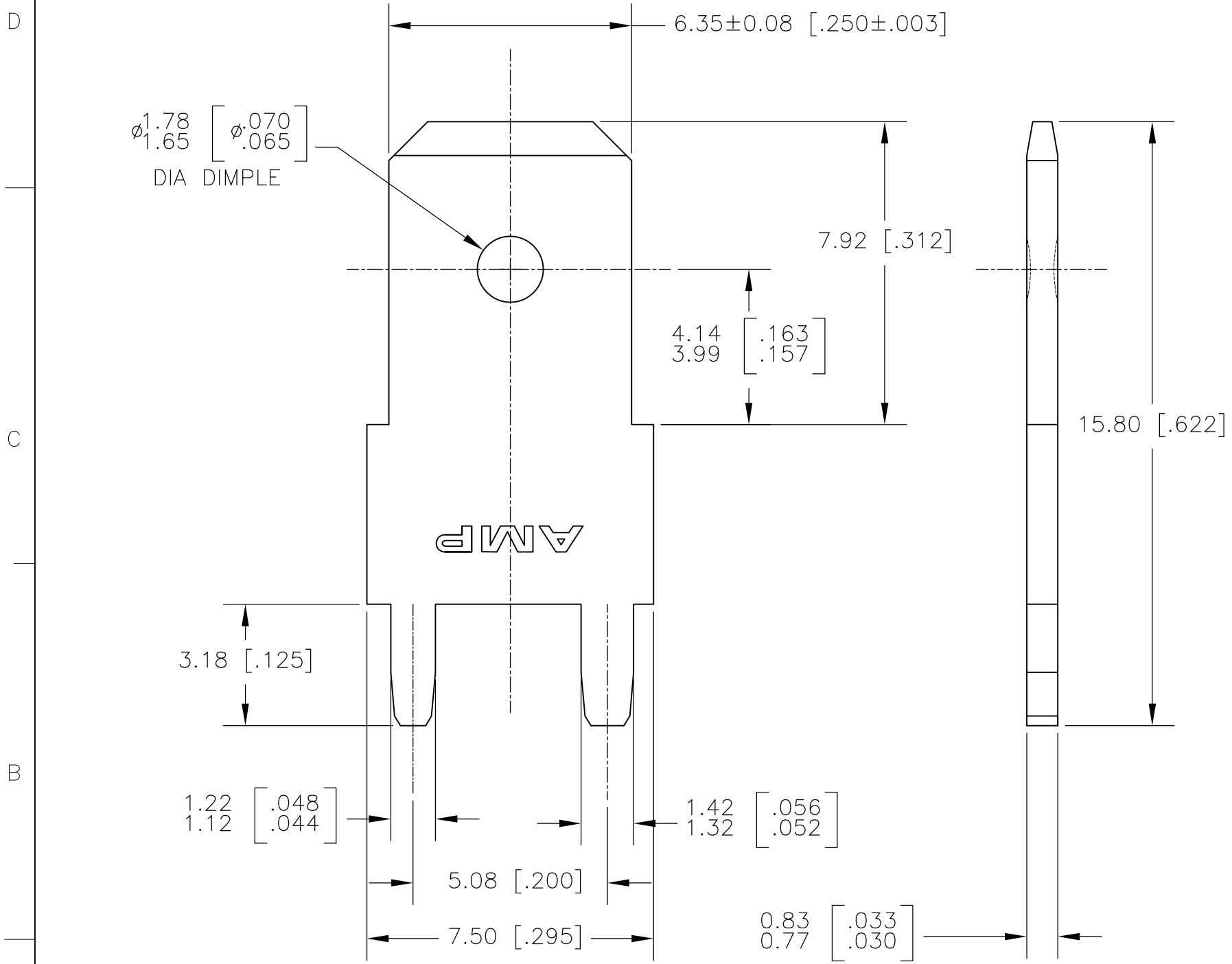
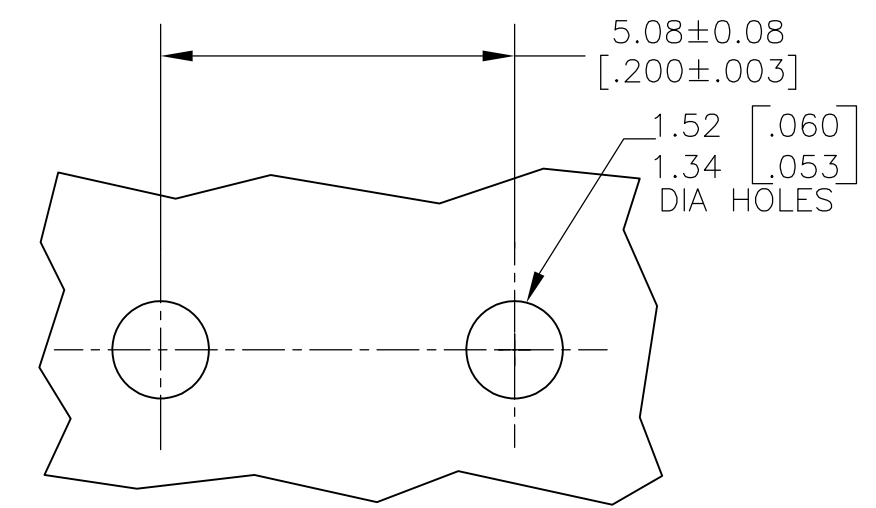


LOC	DIST	REVISIONS					
AF	50	P	LTR	DESCRIPTION	DATE	DWN	APVD
		S		REVISED PER ECR-13-001204	19JUN13	KH	PD



- 1 SUPPLIED IN LOOSE PIECE.
- 2 0.00381 [.000150] MIN TIN OVER
0.00254 [.000100] MIN THK COPPER.
- 3 0.00381 [.000150] MIN SILVER OVER
0.00254 [.000100] MIN THK COPPER.
- 4 SPECIAL PACKAGING QUANTITY
- 5 PRELIMINARY - NOT FOR PRODUCTION
- 6 0.00038 [.000015] MIN GOLD OVER
0.00127 [.000050] MIN NICKEL.



P.C. BOARD HOLES
SCALE 10:1

	2	4	9-62409-1	5
	6		62409-4	5
OBSOLETE	3		62409-3	
	2		62409-1	
	FINISH		PART NUMBER	

THIS DRAWING IS A CONTROLLED DOCUMENT.		DWN	JR RUTH	30NOV00												
DIMENSIONS: mm(INCHES)		CHK	MS FEHER	30NOV00												
TOLERANCES UNLESS OTHERWISE SPECIFIED:		APVD	G PORTA	30NOV00												
<table border="0"> <tr><td>0 PLC</td><td>± -</td></tr> <tr><td>1 PLC</td><td>± -</td></tr> <tr><td>2 PLC</td><td>± 0.38 [.015]</td></tr> <tr><td>3 PLC</td><td>± -</td></tr> <tr><td>4 PLC</td><td>± -</td></tr> <tr><td>ANGLES</td><td>± -</td></tr> </table>		0 PLC	± -	1 PLC		± -	2 PLC	± 0.38 [.015]	3 PLC	± -	4 PLC	± -	ANGLES	± -	PRODUCT SPEC	NAME
0 PLC	± -															
1 PLC	± -															
2 PLC	± 0.38 [.015]															
3 PLC	± -															
4 PLC	± -															
ANGLES	± -															
MATERIAL	BRASS	FINISH	SEE TABLE		TAB, FASTON, PC BOARD, 6.35 [.250] SERIES											
WEIGHT		-		SIZE	A3											
CUSTOMER DRAWING		CAGE CODE	00779	DRAWING NO	C-62409											
SCALE		8:1		SHEET	1 of 1											
REV		S		RESTRICTED TO												