

Reference Specification

Type KJ
Safety Standard Certified Lead Type Disc Ceramic Capacitors for Automotive

Product specifications in this catalog are as of Aug. 2022, and are subject to change or obsolescence without notice.
Please consult the approval sheet before ordering. Please read rating and Cautions first.

Reference only

⚠ CAUTION

1. OPERATING VOLTAGE

1) Do not apply a voltage to a safety standard certified product that exceeds the rated voltage as called out in the specifications. Applied voltage between the terminals of a safety standard certified product shall be less than or equal to the rated voltage (+ 10%). When a safety standard certified product is used as a DC voltage product, the AC rated voltage value becomes the DC rated voltage value. (Example: AC250V (r.m.s.) rated product can be used as DC250V (+ 10%) rated product.)

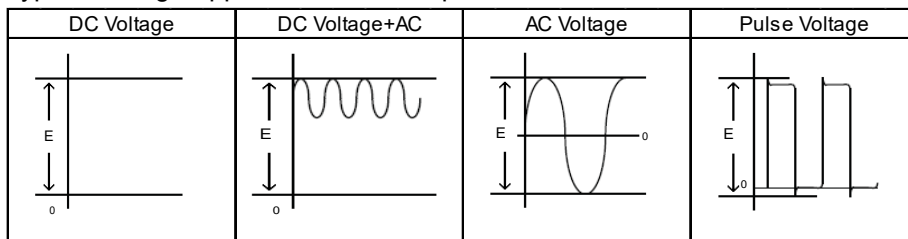
If both AC rated voltage and DC rated voltage are specified, apply the voltage lower than the respective rated voltage.

1-1) When a safety standard certified product is used in a circuit connected to a commercial power supply, ensure that the applied commercial power supply voltage including fluctuation should be less than 10% above its rated voltage.

1-2) When using a safety standard certified product as a DC rated product in circuits other than those connected to a commercial power supply.

When AC voltage is superimposed on DC voltage, the zero-to-peak voltage shall not exceed the rated DC voltage. When AC voltage or pulse voltage is applied, the peak-to-peak voltage shall not exceed the rated DC voltage.

Typical Voltage Applied to the DC Capacitor



(E: Maximum possible applied voltage.)

2) Abnormal voltages (surge voltage, static electricity, pulse voltage, etc.) shall not exceed the rated DC voltage.

2. OPERATING TEMPERATURE AND SELF-GENERATED HEAT

Keep the surface temperature of a capacitor below the upper limit of its rated operating temperature range. Be sure to take into account the heat generated by the capacitor itself.

When the capacitor is used in a high-frequency current, pulse current or the like, it may have the self-generated heat due to dielectric-loss. Applied voltage should be the load such as self-generated heat is within 20 °C on the condition of atmosphere temperature 25 °C. When measuring, use a thermocouple of small thermal capacity-K of ϕ 0.1mm and be in the condition where capacitor is not affected by radiant heat of other components and wind of surroundings. Excessive heat may lead to deterioration of the capacitor's characteristics and reliability. (Never attempt to perform measurement with the cooling fan running. Otherwise, accurate measurement cannot be ensured.)

3. TEST CONDITION FOR WITHSTANDING VOLTAGE

1) TEST EQUIPMENT

Test equipment for AC withstanding voltage should be used with the performance of the wave similar to 50/60 Hz sine wave.

If the distorted sine wave or over load exceeding the specified voltage value is applied, the defective may be caused.

2) VOLTAGE APPLIED METHOD

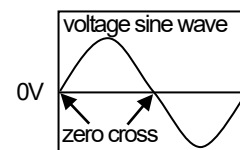
When the withstanding voltage is applied, capacitor's lead or terminal should be firmly connected to the out-put of the withstanding voltage test equipment, and then the voltage should be raised from near zero to the test voltage.

If the test voltage without the raise from near zero voltage would be applied directly to capacitor, test voltage should be applied with the *zero cross. At the end of the test time, the test voltage should be reduced to near zero, and then capacitor's lead or terminal should be taken off the out-put of the withstanding voltage test equipment.

If the test voltage without the raise from near zero voltage would be applied directly to capacitor, the surge voltage may arise, and therefore, the defective may be caused.

*ZERO CROSS is the point where voltage sine wave pass 0V.

- See the right figure -



Reference only

4. FAIL-SAFE

When capacitor would be broken, failure may result in a short circuit. Be sure to provide an appropriate fail-safe function like a fuse on your product if failure would follow an electric shock, fire or fume.

5. VIBRATION AND IMPACT

Do not expose a capacitor or its leads to excessive shock or vibration during use. Excessive shock or vibration may cause to fatigue destruction of lead wires mounted on the circuit board. Please take measures to hold a capacitor on the circuit boards by adhesive, molding resin or coating and other. Please confirm there is no influence of holding measures on the product with an intended equipment.

6. SOLDERING

When soldering this product to a PCB/PWB, do not exceed the solder heat resistance specification of the capacitor. Subjecting this product to excessive heating could melt the internal junction solder and may result in thermal shocks that can crack the ceramic element.

When soldering capacitor with a soldering iron, it should be performed in following conditions.

Temperature of iron-tip : 400 °C max.

Soldering iron wattage : 50W max.

Soldering time : 3.5s max.

7. BONDING, RESIN MOLDING AND COATING

In case of bonding, molding or coating this product, verify that these processes do not affect the quality of capacitor by testing the performance of the bonded, molded or coated product in the intended equipment.

In case of the amount of applications, dryness / hardening conditions of adhesives and molding resins containing organic solvents (ethyl acetate, methyl ethyl ketone, toluene, etc.) are unsuitable, the outer coating resin of a capacitor is damaged by the organic solvents and it may result, worst case, in a short circuit.

The variation in thickness of adhesive, molding resin or coating may cause an outer coating resin cracking and/or ceramic element cracking of a capacitor in a temperature cycling.

8. TREATMENT AFTER BONDING, RESIN MOLDING AND COATING

When the outer coating is hot (over 100 °C) after soldering, it becomes soft and fragile.

So please be careful not to give it mechanical stress.

Failure to follow the above cautions may result, worst case, in a short circuit and cause fuming or partial dispersion when the product is used.

9. OPERATING AND STORAGE ENVIRONMENT

The insulating coating of capacitors does not form a perfect seal; therefore, do not use or store capacitors in a corrosive atmosphere, especially where chloride gas, sulfide gas, acid, alkali, salt or the like is present. And avoid exposure to moisture. Before cleaning, bonding, or molding this product, verify that these processes do not affect product quality by testing the performance of a cleaned, bonded or molded product in the intended equipment. Store the capacitors where the temperature and relative humidity do not exceed -10 to 40 °C and 15 to 85%.

Use capacitors within 6 months after delivered. Check the solderability after 6 months or more.

10. LIMITATION OF APPLICATIONS

Please contact us before using our products for the applications listed below which require especially high reliability for the prevention of defects which might directly cause damage to the third party's life, body or property.

1. Aircraft equipment
2. Aerospace equipment
3. Undersea equipment
4. Power plant control equipment
5. Medical equipment
6. Transportation equipment (vehicles, trains, ships, etc.)
7. Traffic signal equipment
8. Disaster prevention / crime prevention equipment
9. Data-processing equipment exerting influence on public
10. Application of similar complexity and/or reliability requirements to the applications listed in the above.

NOTICE

1. CLEANING (ULTRASONIC CLEANING)

To perform ultrasonic cleaning, observe the following conditions.

Rinse bath capacity : Output of 20 watts per liter or less.

Rinsing time : 5 min maximum.

Do not vibrate the PCB/PWB directly.

Excessive ultrasonic cleaning may lead to fatigue destruction of the lead wires.

2. CAPACITANCE CHANGE OF CAPACITORS

- Class 1 capacitors

Capacitance might change a little depending on a surrounding temperature or an applied voltage.

Please contact us if you use for the strict time constant circuit.

- Class 2 and 3 capacitors

Class 2 and 3 capacitors like temperature characteristic B, E and F have an aging characteristic, whereby the capacitor continually decreases its capacitance slightly if the capacitor leaves for a long time. Moreover, capacitance might change greatly depending on a surrounding temperature or an applied voltage. So, it is not likely to be able to use for the time constant circuit.

Please contact us if you need a detail information.

3. PERFORMANCE CHECK BY EQUIPMENT

Before using a capacitor, check that there is no problem in the equipment's performance and the specifications.

Generally speaking, CLASS 2 ceramic capacitors have voltage dependence characteristics and temperature dependence characteristics in capacitance. So, the capacitance value may change depending on the operating condition in an equipment. Therefore, be sure to confirm the apparatus performance of receiving influence in a capacitance value change of a capacitor, such as leakage current and noise suppression characteristic.

Moreover, check the surge-proof ability of a capacitor in the equipment, if needed, because the surge voltage may exceed specific value by the inductance of the circuit.

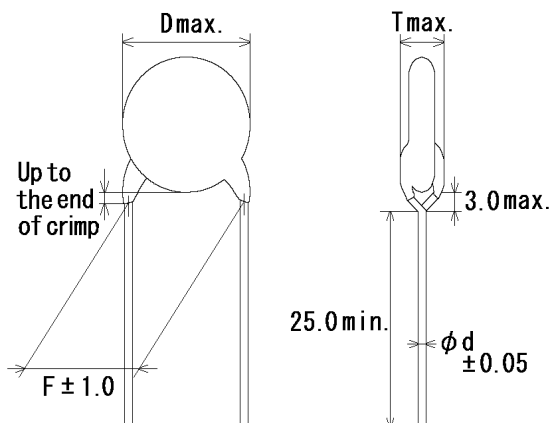
NOTE

1. Please make sure that your product has been evaluated in view of your specifications with our product being mounted to your product.
2. You are requested not to use our product deviating from this specification.

Reference only

4. Part number list

·Vertical crimp long type
(Lead Style: A*)



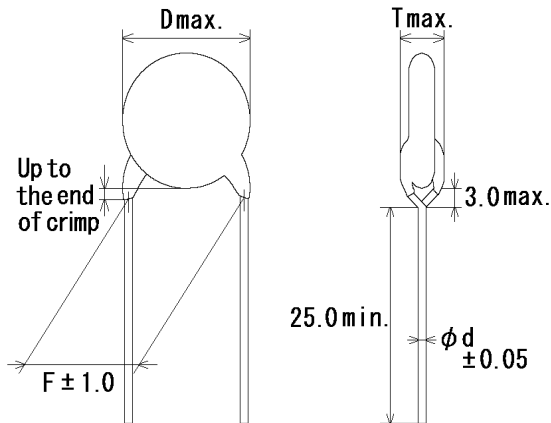
Note) The mark '*' of Lead Style differ from lead spacing(F) and lead diameter(d).
Please see the following list about details.

Unit : mm

T.C.	Cap. (pF)	Cap. tol.	Customer Part Number	Murata Part Number	Dimension (mm)				Lead Style	Pack qty. (pcs)
					D	T	F	d		
B	100	±10%		DE6B3KJ101KA3BE01J	6.0	5.0	7.5	0.6	A3	250
B	150	±10%		DE6B3KJ151KA3BE01J	8.0	5.0	7.5	0.6	A3	250
B	220	±10%		DE6B3KJ221KA3BE01J	6.0	6.0	7.5	0.6	A3	250
B	330	±10%		DE6B3KJ331KA3BE01J	7.0	6.0	7.5	0.6	A3	250
B	470	±10%		DE6B3KJ471KA3BE01J	8.0	6.0	7.5	0.6	A3	250
B	680	±10%		DE6B3KJ681KA3BE01J	9.0	6.0	7.5	0.6	A3	250
E	1000	±20%		DE6E3KJ102MA3B	7.0	7.0	7.5	0.6	A3	250
E	1500	±20%		DE6E3KJ152MA3B	8.0	7.0	7.5	0.6	A3	250
E	2200	±20%		DE6E3KJ222MA3B	9.0	7.0	7.5	0.6	A3	250
E	3300	±20%		DE6E3KJ332MA3B	10.0	7.0	7.5	0.6	A3	250
E	4700	±20%		DE6E3KJ472MA3B	12.0	7.0	7.5	0.6	A3	200

Reference only

·Vertical crimp long type
(Lead Style: A*)



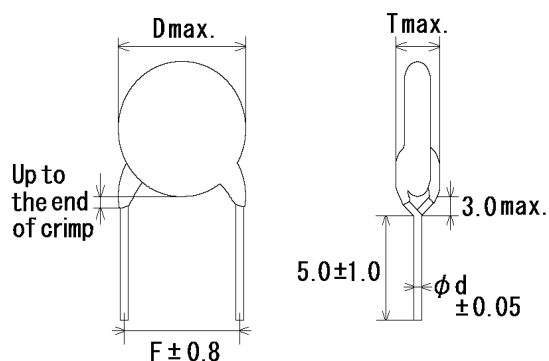
Note) The mark '*' of Lead Style differ from lead spacing(F) and lead diameter(d).
Please see the following list about details.

Unit : mm

T.C.	Cap. (pF)	Cap. tol.	Customer Part Number	Murata Part Number	Dimension (mm)				Lead Style	Pack qty. (pcs)
					D	T	F	d		
B	100	± 10%		DE6B3KJ101KA4BE01J	6.0	5.0	10.0	0.6	A4	250
B	150	± 10%		DE6B3KJ151KA4BE01J	8.0	5.0	10.0	0.6	A4	250
B	220	± 10%		DE6B3KJ221KA4BE01J	6.0	6.0	10.0	0.6	A4	250
B	330	± 10%		DE6B3KJ331KA4BE01J	7.0	6.0	10.0	0.6	A4	250
B	470	± 10%		DE6B3KJ471KA4BE01J	8.0	6.0	10.0	0.6	A4	250
B	680	± 10%		DE6B3KJ681KA4BE01J	9.0	6.0	10.0	0.6	A4	250
E	1000	± 20%		DE6E3KJ102MA4B	7.0	7.0	10.0	0.6	A4	250
E	1500	± 20%		DE6E3KJ152MA4B	8.0	7.0	10.0	0.6	A4	250
E	2200	± 20%		DE6E3KJ222MA4B	9.0	7.0	10.0	0.6	A4	250
E	3300	± 20%		DE6E3KJ332MA4B	10.0	7.0	10.0	0.6	A4	250
E	4700	± 20%		DE6E3KJ472MA4B	12.0	7.0	10.0	0.6	A4	200

Reference only

-Vertical crimp short type
(Lead Style: B*)



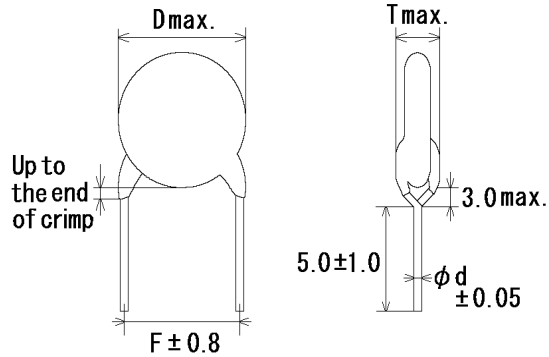
Note) The mark '*' of Lead Style differ from lead spacing(F) and lead diameter(d).
Please see the following list about details.

Unit : mm

T.C.	Cap. (pF)	Cap. tol.	Customer Part Number	Murata Part Number	Dimension (mm)				Lead Style	Pack qty. (pcs)
					D	T	F	d		
B	100	± 10%		DE6B3KJ101KB3BE01J	6.0	5.0	7.5	0.6	B3	500
B	150	± 10%		DE6B3KJ151KB3BE01J	8.0	5.0	7.5	0.6	B3	500
B	220	± 10%		DE6B3KJ221KB3BE01J	6.0	6.0	7.5	0.6	B3	500
B	330	± 10%		DE6B3KJ331KB3BE01J	7.0	6.0	7.5	0.6	B3	500
B	470	± 10%		DE6B3KJ471KB3BE01J	8.0	6.0	7.5	0.6	B3	500
B	680	± 10%		DE6B3KJ681KB3BE01J	9.0	6.0	7.5	0.6	B3	500
E	1000	± 20%		DE6E3KJ102MB3B	7.0	7.0	7.5	0.6	B3	500
E	1500	± 20%		DE6E3KJ152MB3B	8.0	7.0	7.5	0.6	B3	500
E	2200	± 20%		DE6E3KJ222MB3B	9.0	7.0	7.5	0.6	B3	500
E	3300	± 20%		DE6E3KJ332MB3B	10.0	7.0	7.5	0.6	B3	500
E	4700	± 20%		DE6E3KJ472MB3B	12.0	7.0	7.5	0.6	B3	250

Reference only

-Vertical crimp short type
(Lead Style: B*)



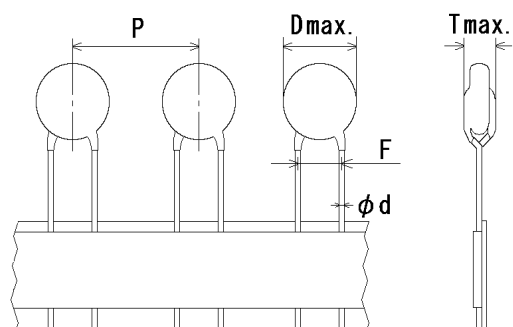
Note) The mark '*' of Lead Style differ from lead spacing(F) and lead diameter(d).
Please see the following list about details.

Unit : mm

T.C.	Cap. (pF)	Cap. tol.	Customer Part Number	Murata Part Number	Dimension (mm)				Lead Style	Pack qty. (pcs)
					D	T	F	d		
B	100	±10%		DE6B3KJ101KB4BE01J	6.0	5.0	10.0	0.6	B4	500
B	150	±10%		DE6B3KJ151KB4BE01J	8.0	5.0	10.0	0.6	B4	500
B	220	±10%		DE6B3KJ221KB4BE01J	6.0	6.0	10.0	0.6	B4	500
B	330	±10%		DE6B3KJ331KB4BE01J	7.0	6.0	10.0	0.6	B4	500
B	470	±10%		DE6B3KJ471KB4BE01J	8.0	6.0	10.0	0.6	B4	500
B	680	±10%		DE6B3KJ681KB4BE01J	9.0	6.0	10.0	0.6	B4	500
E	1000	±20%		DE6E3KJ102MB4B	7.0	7.0	10.0	0.6	B4	500
E	1500	±20%		DE6E3KJ152MB4B	8.0	7.0	10.0	0.6	B4	500
E	2200	±20%		DE6E3KJ222MB4B	9.0	7.0	10.0	0.6	B4	500
E	3300	±20%		DE6E3KJ332MB4B	10.0	7.0	10.0	0.6	B4	500
E	4700	±20%		DE6E3KJ472MB4B	12.0	7.0	10.0	0.6	B4	250

Reference only

·Vertical crimp tapping type
(Lead Style:N*)



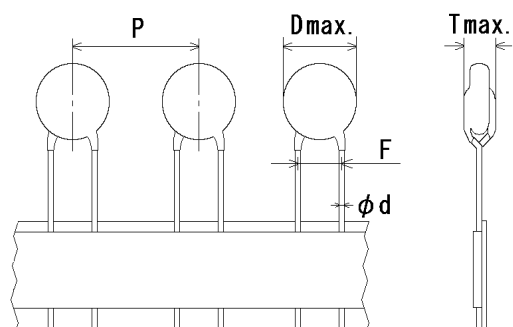
Note) The mark '*' of Lead Style differ from lead spacing(F) and lead diameter(d) and pitch of component(P).
Please see the following list or taping specification about details.

Unit : mm

T.C.	Cap. (pF)	Cap. tol.	Customer Part Number	Murata Part Number	Dimension (mm)					Lead Style	Pack qty. (pcs)
					D	T	F	d	P		
B	100	±10%		DE6B3KJ101KN3AE01J	6.0	5.0	7.5	0.6	15.0	N3	700
B	150	±10%		DE6B3KJ151KN3AE01J	8.0	5.0	7.5	0.6	15.0	N3	700
B	220	±10%		DE6B3KJ221KN3AE01J	6.0	6.0	7.5	0.6	15.0	N3	700
B	330	±10%		DE6B3KJ331KN3AE01J	7.0	6.0	7.5	0.6	15.0	N3	700
B	470	±10%		DE6B3KJ471KN3AE01J	8.0	6.0	7.5	0.6	15.0	N3	700
B	680	±10%		DE6B3KJ681KN3AE01J	9.0	6.0	7.5	0.6	15.0	N3	700
E	1000	±20%		DE6E3KJ102MN3A	7.0	7.0	7.5	0.6	15.0	N3	700
E	1500	±20%		DE6E3KJ152MN3A	8.0	7.0	7.5	0.6	15.0	N3	700
E	2200	±20%		DE6E3KJ222MN3A	9.0	7.0	7.5	0.6	15.0	N3	700
E	3300	±20%		DE6E3KJ332MN3A	10.0	7.0	7.5	0.6	15.0	N3	700
E	4700	±20%		DE6E3KJ472MN3A	12.0	7.0	7.5	0.6	15.0	N3	700

Reference only

·Vertical crimp taping type
(Lead Style:N*)

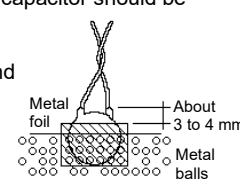


Note) The mark '*' of Lead Style differ from lead spacing(F) and lead diameter(d) and pitch of component(P).
Please see the following list or taping specification about details.

Unit : mm

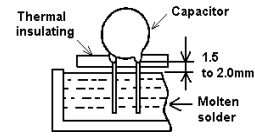
T.C.	Cap. (pF)	Cap. tol.	Customer Part Number	Murata Part Number	Dimension (mm)					Lead Style	Pack qty. (pcs)
					D	T	F	d	P		
B	100	±10%		DE6B3KJ101KN4AE01J	6.0	5.0	10.0	0.6	25.4	N4	400
B	150	±10%		DE6B3KJ151KN4AE01J	8.0	5.0	10.0	0.6	25.4	N4	400
B	220	±10%		DE6B3KJ221KN4AE01J	6.0	6.0	10.0	0.6	25.4	N4	400
B	330	±10%		DE6B3KJ331KN4AE01J	7.0	6.0	10.0	0.6	25.4	N4	400
B	470	±10%		DE6B3KJ471KN4AE01J	8.0	6.0	10.0	0.6	25.4	N4	400
B	680	±10%		DE6B3KJ681KN4AE01J	9.0	6.0	10.0	0.6	25.4	N4	400
E	1000	±20%		DE6E3KJ102MN4A	7.0	7.0	10.0	0.6	25.4	N4	400
E	1500	±20%		DE6E3KJ152MN4A	8.0	7.0	10.0	0.6	25.4	N4	400
E	2200	±20%		DE6E3KJ222MN4A	9.0	7.0	10.0	0.6	25.4	N4	400
E	3300	±20%		DE6E3KJ332MN4A	10.0	7.0	10.0	0.6	25.4	N4	400
E	4700	±20%		DE6E3KJ472MN4A	12.0	7.0	10.0	0.6	25.4	N4	400

Reference only

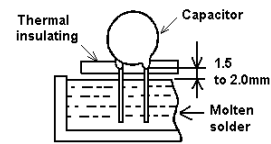
5. Specification and test methods															
No.	Item	Specification	Test method												
1	Appearance and dimensions	No marked defect on appearance form. Please refer to [Part number list] on dimensions.	The capacitor should be inspected by naked eyes for visible evidence of defect. Dimensions should be measured with slide calipers.												
2	Marking	To be easily legible.	The capacitor should be inspected by naked eyes.												
3	Capacitance	Within specified tolerance.	The capacitance should be measured at 20°C with 1±0.1kHz and AC5V(r.m.s.) max..												
4	Dissipation Factor (D.F.)	2.5% max.	The dissipation factor should be measured at 20°C with 1±0.1kHz and AC5V(r.m.s.) max..												
5	Insulation Resistance (I.R.)	10000MΩ min.	The insulation resistance should be measured with DC500±50V within 60±5 s of charging. The voltage should be applied to the capacitor through a resistor of 1MΩ.												
6	Dielectric strength	Between lead wires	No failure. The capacitor should not be damaged when AC2600V(r.m.s.)<50/60Hz> is applied between the lead wires for 60 s.												
		Body insulation	No failure. First, the terminals of the capacitor should be connected together. Then, a metal foil should be closely wrapped around the body of the capacitor to the distance of about 3 to 4mm from each terminal.  Then, the capacitor should be inserted into a container filled with metal balls of about 1mm diameter. Finally, AC2600V (r.m.s.)<50/60Hz> is applied for 60 s between the capacitor lead wires and metal balls.												
7	Temperature characteristic	Char. B : Within ±10 % Char. E : Within +20/-55% (Temp. range : -25 to +85°C)	The capacitance measurement should be made at each step specified in Table.												
		<table border="1" style="margin: auto;"> <thead> <tr> <th>Step</th> <th>1</th> <th>2</th> <th>3</th> <th>4</th> <th>5</th> </tr> </thead> <tbody> <tr> <td>Temp.(°C)</td> <td>20±2</td> <td>-25±2</td> <td>20±2</td> <td>85±2</td> <td>20±2</td> </tr> </tbody> </table>	Step	1	2	3	4	5	Temp.(°C)	20±2	-25±2	20±2	85±2	20±2	
Step	1	2	3	4	5										
Temp.(°C)	20±2	-25±2	20±2	85±2	20±2										
		<p>•Pre-treatment Capacitor should be stored at 125±3°C for 1 h, then placed at *room condition for 24±2 h before initial measurements.</p>													
8	Solderability	Lead wire should be soldered with uniform coating on the axial direction over 3/4 of the circumferential direction.	Should be placed into steam aging for 8 h±15min. After the steam aging, the lead wire of a capacitor should be dipped into a ethanol solution of 25% rosin and then into molten solder for 5+0/-0.5 sec. The depth of immersion is up to about 1.5 to 2.0mm from the root of lead wires. Temp. of solder: Lead Free Solder(Sn-3Ag-0.5Cu) 245±5°C H63 Eutectic Solder 235±5°C												
<p>* "room condition" Temperature: 15 to 35°C, Relative humidity: 45 to 75%, Atmospheric pressure: 86 to 106kPa</p>															

Reference only

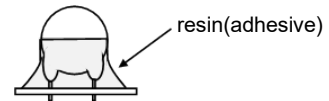
No.	Item	Specification	Test method
9	Resistance to Soldering Heat (Non-preheat)	Appearance	No marked defect.
		Capacitance change	Within $\pm 10\%$
		I.R.	1000M Ω min.
		Dielectric Strength	Per Item 6
10	Resistance to Soldering Heat (On-preheat)	Appearance	No marked defect.
		Capacitance change	Within $\pm 10\%$
		I.R.	1000M Ω min.
		Dielectric strength	Per item 6
11	Vibration	Appearance	No marked defect.
		Capacitance	Within the specified tolerance.
		D.F.	2.5% max.
12	Mechanical Shock (Compliant with AEC-Q200)	Appearance	No marked defect.
		Capacitance	Within the specified tolerance.
		D.F.	5.0% max.
		I.R.	10000M Ω min.
13	Humidity (Under steady state)	Appearance	No marked defect.
		Capacitance change	Char. B : Within $\pm 10\%$ Char. E : Within $\pm 15\%$
		D.F.	5.0% max.
		I.R.	3000M Ω min.
		Dielectric strength	Per item 6
<p>*"room condition" Temperature: 15 to 35°C, Relative humidity: 45 to 75%, Atmospheric pressure: 86 to 106kPa</p>			



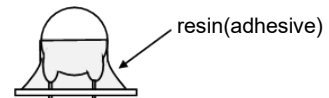
•Pre-treatment
Capacitor should be stored at $125\pm 3^\circ\text{C}$ for 1 h, then placed at *room condition for 24 ± 2 h before initial measurements.
•Post-treatment
Capacitor should be stored for 1 to 2 h at *room condition.



Pre-treatment : Capacitor should be stored at $125\pm 3^\circ\text{C}$ for 1 h, then placed at *room condition for 24 ± 2 h before initial measurements.
Post-treatment : Capacitor should be stored for 1 to 2 h at *room condition.



The capacitor should be firmly soldered to the supporting lead wire, 1.5mm in total amplitude, with about 20 minutes rate of vibration change from 10Hz to 2000Hz and back to 10Hz. This motion should be applied for 12 times in each 3 mutually perpendicular directions (total of 36 times). The acceleration is 5g max..

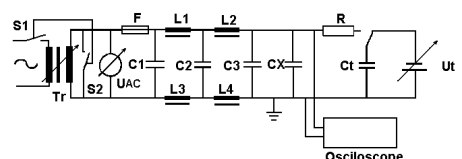
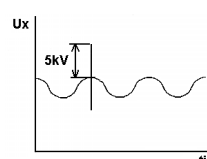
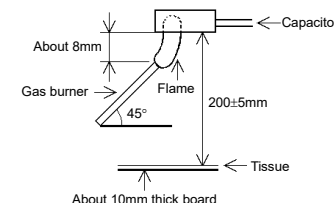


Three shocks in each direction should be applied along 3 mutually perpendicular axes to and from of the test specimen (18 shocks). The specified test pulse should be Half-sine and should have a duration :0.5ms, peak value:100g and velocity change: 4.7m/s.

Set the capacitor for 1000 ± 12 h at $85\pm 3^\circ\text{C}$ in 80 to 85% relative humidity.

•Pre-treatment
Capacitor should be stored at $125\pm 3^\circ\text{C}$ for 1 h, then placed at *room condition for 24 ± 2 h before initial measurements.
•Post-treatment
Capacitor should be stored for 1 to 2 h at *room condition.

Reference only

No.	Item	Specification	Test method																									
18	Active flammability	The cheese-cloth should not be on fire.	<p>The capacitors should be individually wrapped in at least one, but not more than two, complete layers of cheese-cloth. The capacitor should be subjected to 20 discharges. The interval between successive discharges should be 5 s. The U_{AC} should be maintained for 2min after the last discharge.</p>  <p> $C_{1,2}$: $1\mu F \pm 10\%$, C_3 : $0.033\mu F \pm 5\%$ 10kV L_1 to L_4 : $1.5mH \pm 20\%$ 16A Rod core choke R : $100\Omega \pm 2\%$, C_t : $3\mu F \pm 5\%$ 10kV U_{AC} : $U_R \pm 5\%$ U_R : Rated working voltage C_x : Capacitor under test F : Fuse, Rated 10A U_t : Voltage applied to C_t </p> 																									
19	Passive flammability	The burning time should not be exceeded the time 30 s. The tissue paper should not ignite.	<p>The capacitor under test should be held in the flame in the position which best promotes burning. Time of exposure to flame is for 30 s.</p> <p> Length of flame : $12 \pm 1mm$ Gas burner : Length 35mm min. Inside Dia. $0.5 \pm 0.1mm$ Outside Dia. $0.9mm$ max. Gas : Butane gas Purity 95% min. </p> 																									
20	Temperature Cycle (Compliant with AEC-Q200)	<table border="1"> <tr> <td>Appearance</td> <td>No marked defect.</td> </tr> <tr> <td>Capacitance change</td> <td>Char. B : Within $\pm 10\%$ Char. E : Within $\pm 20\%$</td> </tr> <tr> <td>D.F.</td> <td>5.0% max.</td> </tr> <tr> <td>I.R.</td> <td>3000MΩ min.</td> </tr> <tr> <td>Dielectric strength</td> <td>Per Item 6.</td> </tr> </table>	Appearance	No marked defect.	Capacitance change	Char. B : Within $\pm 10\%$ Char. E : Within $\pm 20\%$	D.F.	5.0% max.	I.R.	3000M Ω min.	Dielectric strength	Per Item 6.	<p>The capacitor should be subjected to 1000 temperature cycles.</p> <table border="1"> <thead> <tr> <th>Step</th> <th>Temperature($^{\circ}C$)</th> <th>Time(min.)</th> </tr> </thead> <tbody> <tr> <td>1</td> <td>-55+0/-3</td> <td>30</td> </tr> <tr> <td>2</td> <td>Room temp.</td> <td>3</td> </tr> <tr> <td>3</td> <td>+125+3/-0</td> <td>30</td> </tr> <tr> <td>4</td> <td>Room temp.</td> <td>3</td> </tr> </tbody> </table> <p> •Pre-treatment Capacitor should be stored at $125 \pm 3^{\circ}C$ for 1 h, then placed at *room condition for 24 ± 2 h. •Post-treatment Capacitor should be stored for 24 ± 2 h at *room condition. </p>	Step	Temperature($^{\circ}C$)	Time(min.)	1	-55+0/-3	30	2	Room temp.	3	3	+125+3/-0	30	4	Room temp.	3
Appearance	No marked defect.																											
Capacitance change	Char. B : Within $\pm 10\%$ Char. E : Within $\pm 20\%$																											
D.F.	5.0% max.																											
I.R.	3000M Ω min.																											
Dielectric strength	Per Item 6.																											
Step	Temperature($^{\circ}C$)	Time(min.)																										
1	-55+0/-3	30																										
2	Room temp.	3																										
3	+125+3/-0	30																										
4	Room temp.	3																										
21	High Temperature Exposure (Storage) (Compliant with AEC-Q200)	<table border="1"> <tr> <td>Capacitance change</td> <td>Within $\pm 20\%$</td> </tr> <tr> <td>D.F.</td> <td>5.0% max.</td> </tr> <tr> <td>I.R.</td> <td>1000MΩ min.</td> </tr> </table>	Capacitance change	Within $\pm 20\%$	D.F.	5.0% max.	I.R.	1000M Ω min.	<p>Sit the capacitor for $1,000 \pm 12$ h at $150 \pm 3^{\circ}C$.</p> <p> •Pre-treatment Capacitor should be stored at $125 \pm 3^{\circ}C$ for 1 h, then placed at *room condition for 24 ± 2 h. •Post-treatment Capacitor should be stored for 24 ± 2 h at *room condition. </p>																			
Capacitance change	Within $\pm 20\%$																											
D.F.	5.0% max.																											
I.R.	1000M Ω min.																											
<p>*"room condition" Temperature: 15 to $35^{\circ}C$, Relative humidity: 45 to 75%, Atmospheric pressure: 86 to 106kPa</p>																												

Reference only

No.	Item	Specification	Test method									
22	Thermal Shock (Compliant with AEC-Q200)	Appearance	The capacitor should be subjected to 300 cycles. <table border="1" style="margin: 10px auto; border-collapse: collapse;"> <thead> <tr> <th>Step</th> <th>Temperature(°C)</th> <th>Time(min.)</th> </tr> </thead> <tbody> <tr> <td>1</td> <td>-55+0/-3</td> <td>30</td> </tr> <tr> <td>2</td> <td>125+3/0</td> <td>30</td> </tr> </tbody> </table> <ul style="list-style-type: none"> •Pre-treatment Capacitor should be stored at 125±3°C for 1 h, then placed at *room condition for 24±2 h. •Post-treatment Capacitor should be stored for 24±2 h at *room condition. 	Step	Temperature(°C)	Time(min.)	1	-55+0/-3	30	2	125+3/0	30
		Step		Temperature(°C)	Time(min.)							
		1		-55+0/-3	30							
		2		125+3/0	30							
Capacitance change	Char. B : Within ±10% Char. E : Within ±20%											
D.F.	5.0% max.											
I.R.	3000MΩ min.											
23	Resistance to Solvents (Compliant with AEC-Q200)	Appearance	Per MIL-STD-202 Method 215 Solvent 1 : 1 part (by volume) of isopropyl alcohol 3 parts (by volume) of mineral spirits Solvent 2 : Terpene defluxer Solvent 3 : 42 parts (by volume) of water 1part (by volume) of propylene glycol monomethyl ether 1 part (by volume) of monoethanolamine									
		Capacitance change		Char. B : Within ±10% Char. E : Within ±20%								
		D.F.		5.0% max.								
		I.R.		3000MΩ min.								
24	Biased Humidity (Compliant with AEC-Q200)	Appearance	Apply DC1.3+0.2/-0 V (add 100kΩ resistor) at 85±3°C and 80 to 85% humidity for 1,000±12 h. The charge/discharge current is less than 50mA <ul style="list-style-type: none"> •Pre-treatment Capacitor should be stored at 125±3°C for 1 h, then placed at *room condition for 24±2 h. •Post-treatment Capacitor should be stored for 24±2 h at *room condition. 									
		Capacitance change		Char. B : Within ±10% Char. E : Within ±15%								
		D.F.		5.0% max.								
		I.R.		3000MΩ min.								
25	Moisture Resistance (Compliant with AEC-Q200)	Appearance	Apply the 24 h heat(25 to 65°C) and humidity(80 to 98%) treatment shown below, 10 consecutive times. <div style="text-align: center;"> <p style="font-size: small;">Temperature (°C)</p> <p style="font-size: small;">Humidity 90-98%</p> <p style="font-size: small;">Humidity 80-98%</p> <p style="font-size: small;">Humidity 90-98%</p> <p style="font-size: small;">Humidity 80-98%</p> <p style="font-size: small;">Humidity 90-98%</p> <p style="font-size: small;">+10 - 2 °C</p> <p style="font-size: small;">Initial measurement</p> <p style="font-size: small;">One cycle 24 hours</p> <p style="font-size: small;">Hours</p> </div> <ul style="list-style-type: none"> •Post-treatment Capacitor should be stored for 24±2 h at *room condition. 									
		Capacitance change		Char. B : Within ±10% Char. E : Within ±20%								
		D.F.		5.0% max.								
		I.R.		3000MΩ min.								

*"room condition" Temperature: 15 to 35°C, Relative humidity: 45 to 75%, Atmospheric pressure: 86 to 106kPa

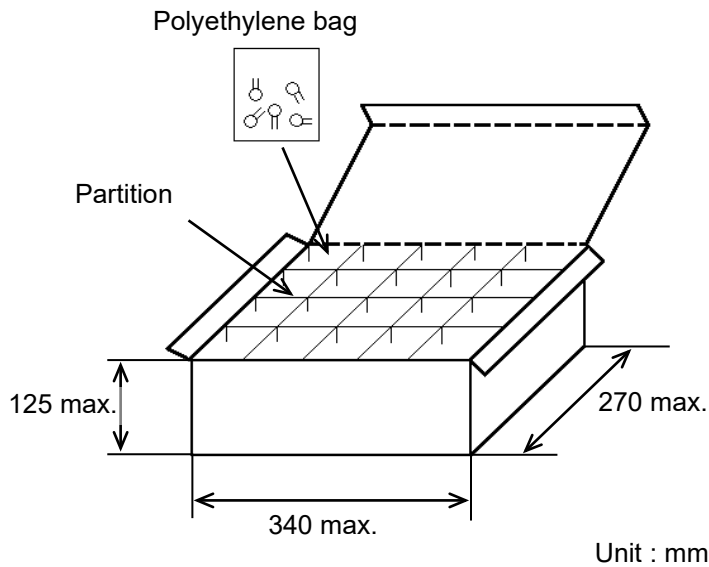
Reference only

6. Packing specification

• Bulk type (Package : B)

$$\text{The number of packing} = \overset{*1}{\text{Packing quantity}} \times \overset{*2}{n}$$

The size of packing case and packing way



*1 : Please refer to [Part number list].

*2 : Standard n = 20 (bag)

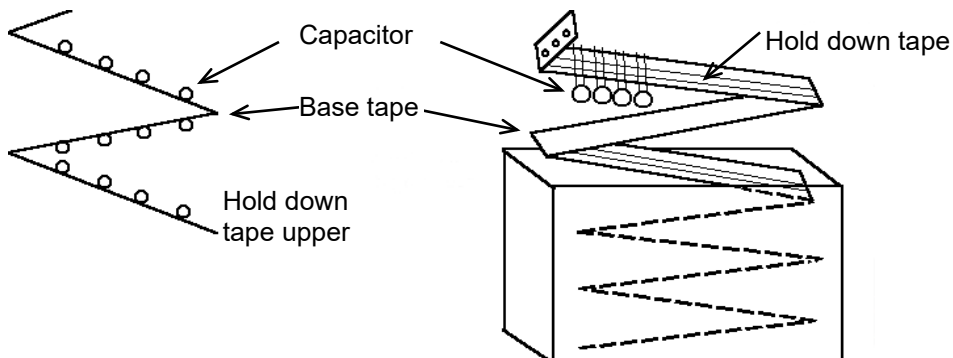
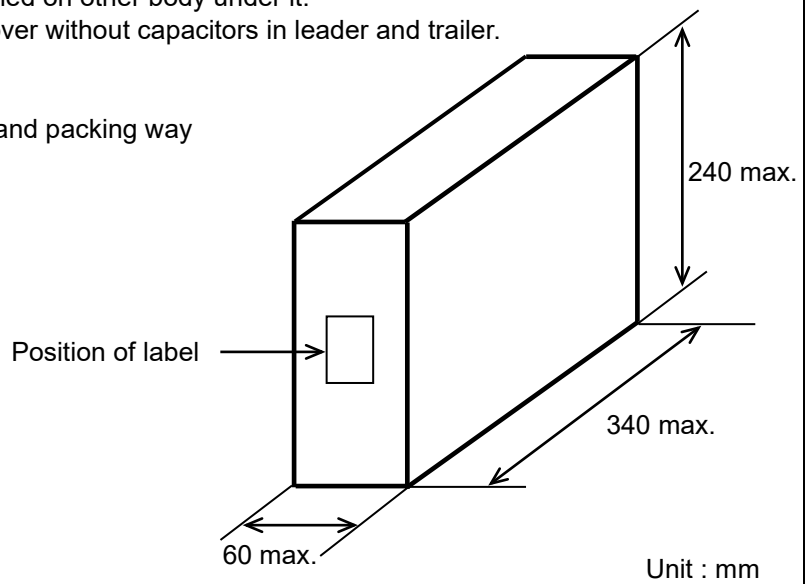
Note)

The outer package and the number of outer packing be changed by the order getting amount.

• Ammo pack taping type (Package : A)

- The tape with capacitors is packed zigzag into a case.
- When body of the capacitor is piled on other body under it.
- There should be 3 pitches and over without capacitors in leader and trailer.

The size of packing case and packing way



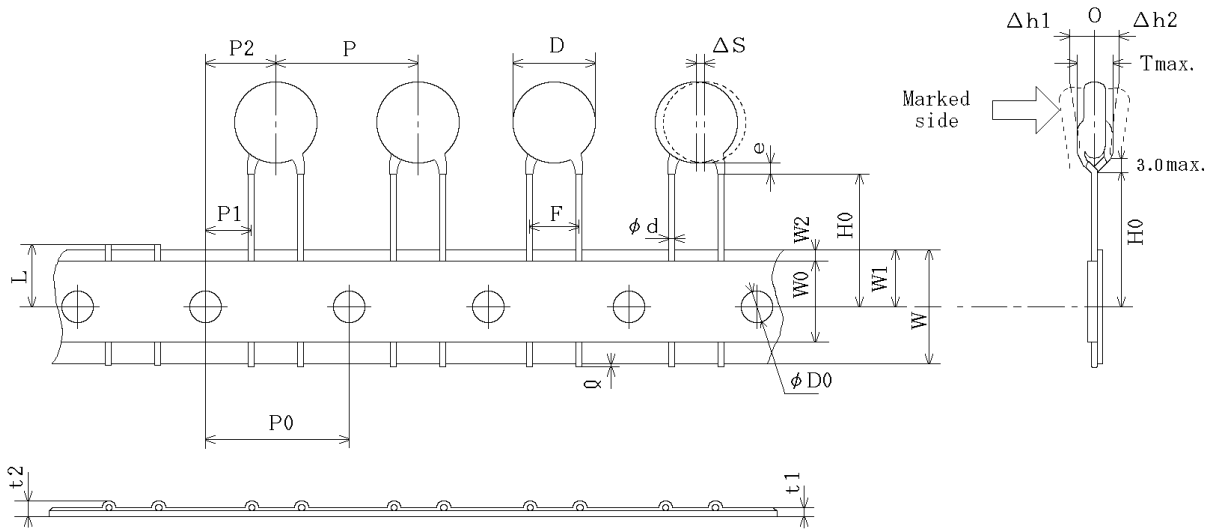
Reference only

7. Taping specification

7-1. Dimension of capacitors on tape

Vertical crimp taping type < Lead Style : N3 >

Pitch of component 15.0mm / Lead spacing 7.5mm

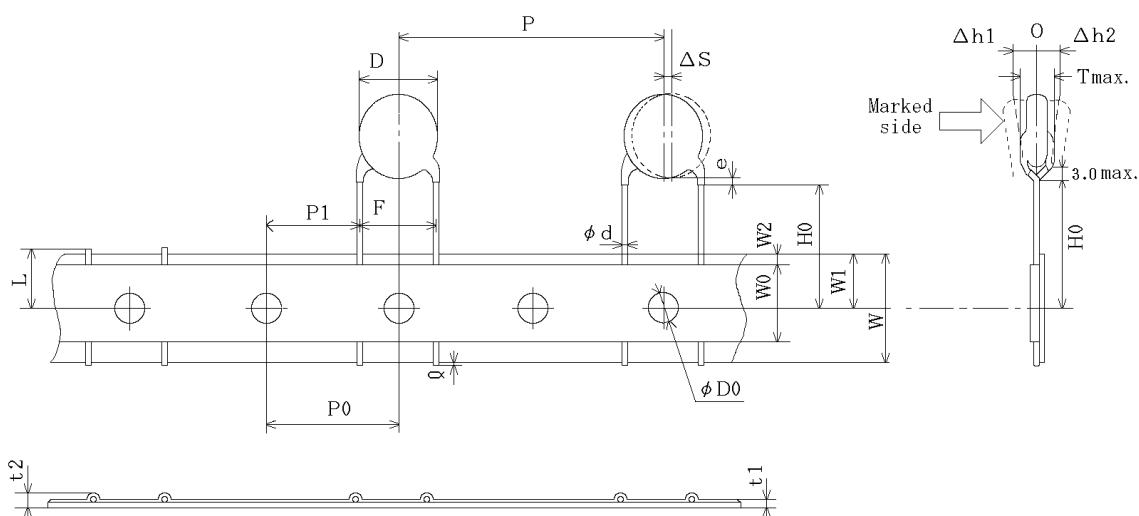


Unit : mm

Item	Code	Dimensions	Remarks
Pitch of component	P	15.0±2.0	
Pitch of sprocket hole	P0	15.0±0.3	
Lead spacing	F	7.5±1.0	
Length from hole center to component center	P2	7.5±1.5	Deviation of progress direction
Length from hole center to lead	P1	3.75±1.0	
Body diameter	D	Please refer to [Part number list].	
Deviation along tape, left or right	ΔS	0±2.0	They include deviation by lead bend .
Carrier tape width	W	18.0±0.5	
Position of sprocket hole	W1	9.0±0.5	Deviation of tape width direction
Lead distance between reference and bottom planes	H0	18.0 $\pm_{0}^{2.0}$	
Protrusion length	Q	+0.5~-1.0	
Diameter of sprocket hole	φD0	4.0±0.1	
Lead diameter	φd	0.60±0.05	
Total tape thickness	t1	0.6±0.3	They include hold down tape thickness.
Total thickness, tape and lead wire	t2	1.5 max.	
Deviation across tape, front	Δh1	2.0 max.	
Deviation across tape, rear	Δh2		
Portion to cut in case of defect	L	11.0 $\pm_{1.0}^0$	
Hold down tape width	W0	11.5 min.	
Hold down tape position	W2	1.5±1.5	
Coating extension on lead	e	Up to the end of crimp	
Body thickness	T	Please refer to [Part number list].	

Reference only

Vertical crimp tapping type < Lead Style : N4 >
Pitch of component 25.4mm / Lead spacing 10.0mm



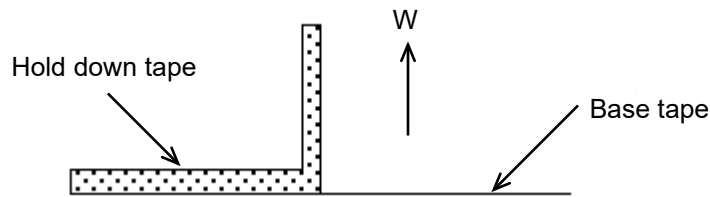
Unit : mm

Item	Code	Dimensions	Remarks
Pitch of component	P	25.4±2.0	
Pitch of sprocket hole	P0	12.7±0.3	
Lead spacing	F	10.0±1.0	
Length from hole center to lead	P1	7.7±1.5	
Body diameter	D	Please refer to [Part number list].	
Deviation along tape, left or right	ΔS	0±2.0	They include deviation by lead bend .
Carrier tape width	W	18.0±0.5	
Position of sprocket hole	W1	9.0±0.5	Deviation of tape width direction
Lead distance between reference and bottom planes	H0	18.0 $^{+2.0}$ ₀	
Protrusion length	Q	+0.5~-1.0	
Diameter of sprocket hole	φD0	4.0±0.1	
Lead diameter	φd	0.60±0.05	
Total tape thickness	t1	0.6±0.3	They include hold down tape thickness.
Total thickness, tape and lead wire	t2	1.5 max.	
Deviation across tape, front	Δh1	2.0 max.	
Deviation across tape, rear	Δh2		
Portion to cut in case of defect	L	11.0 $^{+0}$ _{±1.0}	
Hold down tape width	W0	11.5 min.	
Hold down tape position	W2	1.5±1.5	
Coating extension on lead	e	Up to the end of crimp	
Body thickness	T	Please refer to [Part number list].	

Reference only

7-2. Splicing way of tape

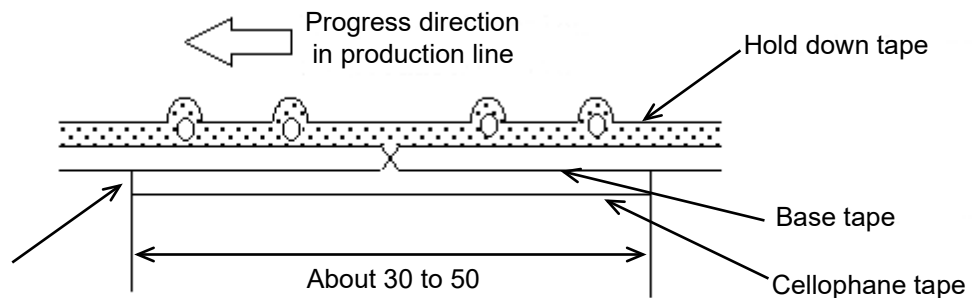
- 1) Adhesive force of tape is over 3N at test condition as below.



2) Splicing of tape

- a) When base tape is spliced

- Base tape should be spliced by cellophane tape.
(Total tape thickness should be less than 1.05mm.)

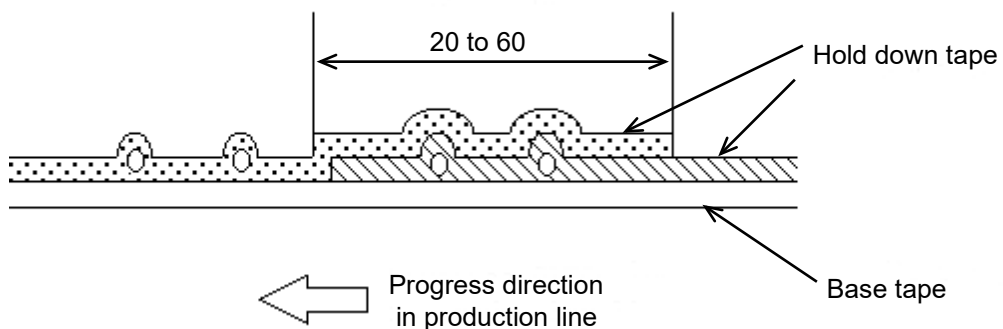


No lifting for the direction of progressing

Unit : mm

- b) When hold down tape is spliced

- Hold down tape should be spliced with overlapping.
(Total tape thickness should be less than 1.05mm.)



Unit : mm

- c) When both tape are spliced

- Base tape and hold down tape should be spliced with splicing tape.

3) Missing components

- There should be no consecutive missing of more than three components.
- The number of missing components should be not more than 0.5% of total components that should be present in a Ammo pack.