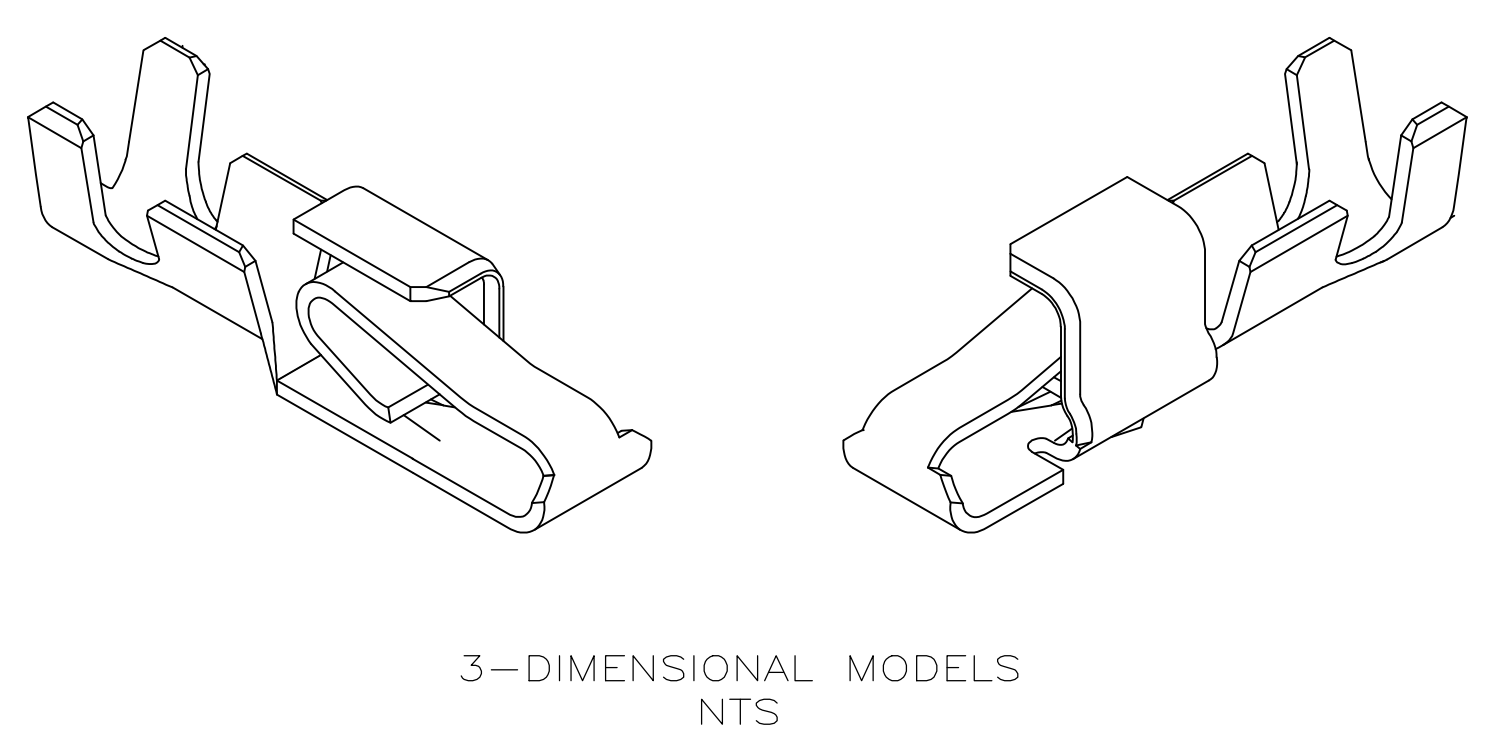
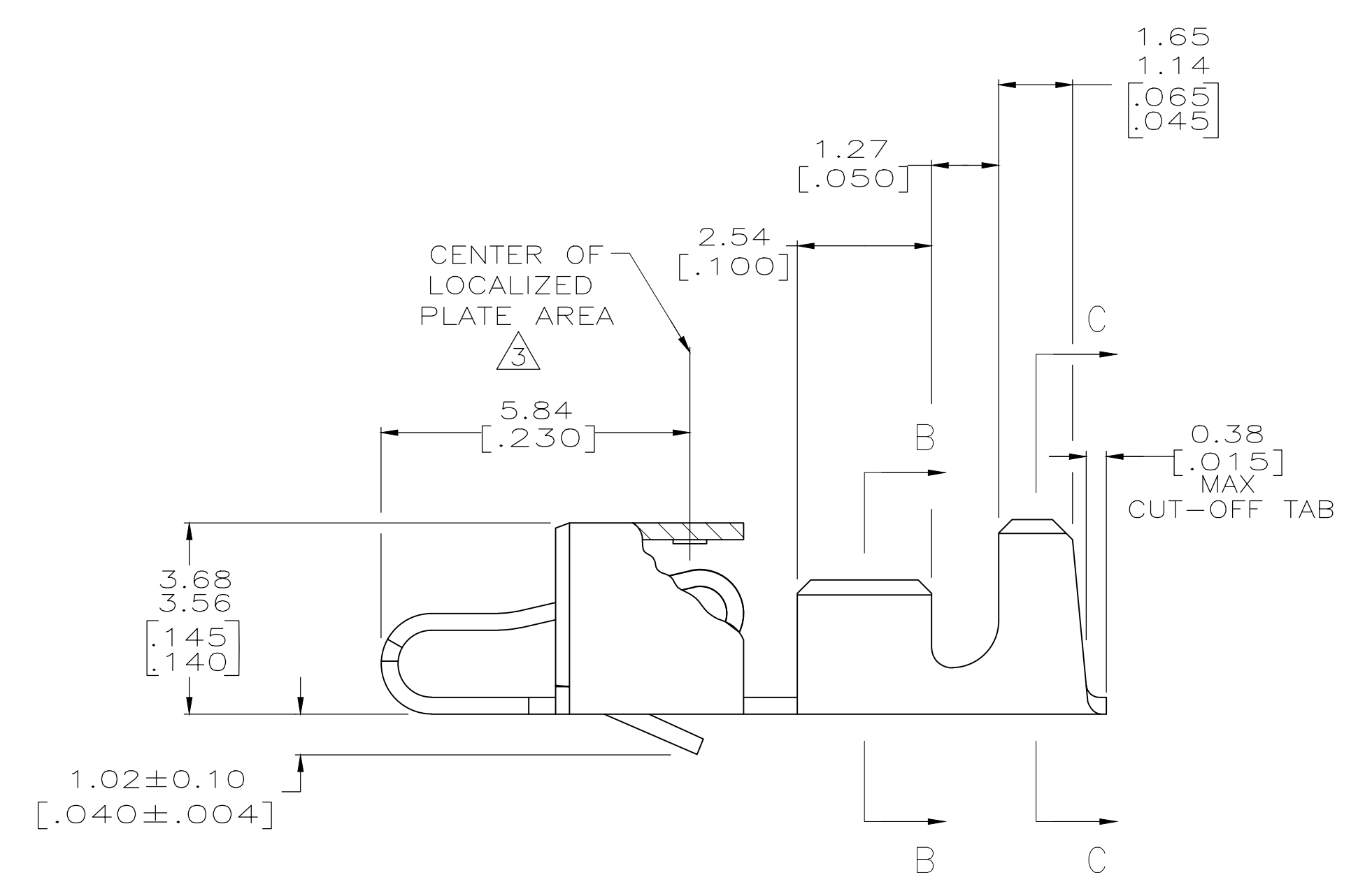
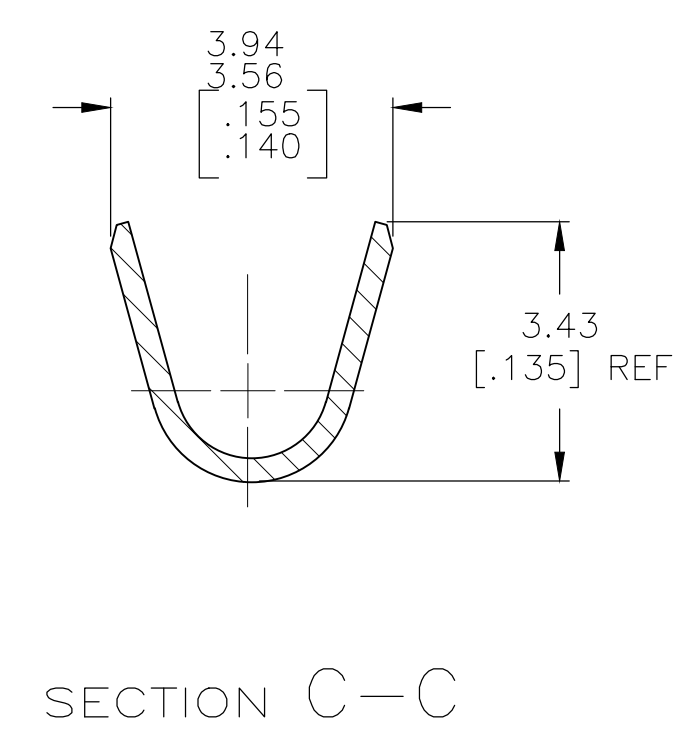
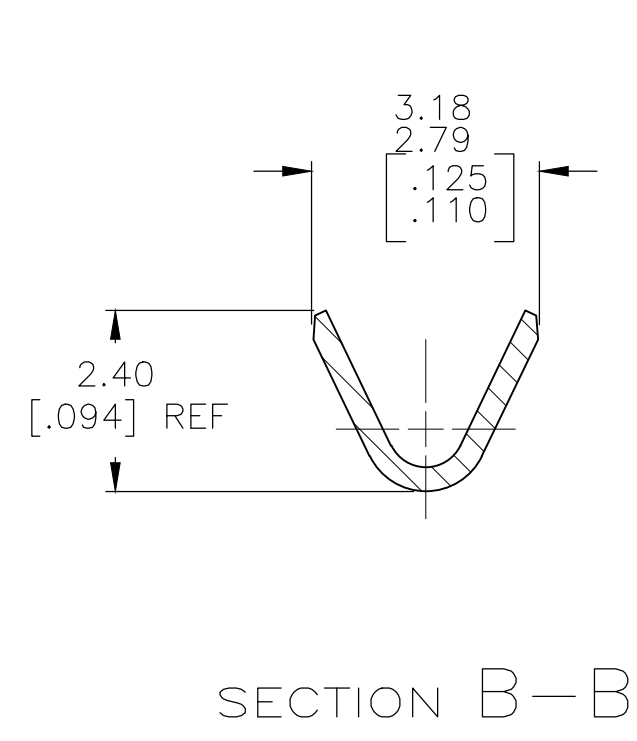
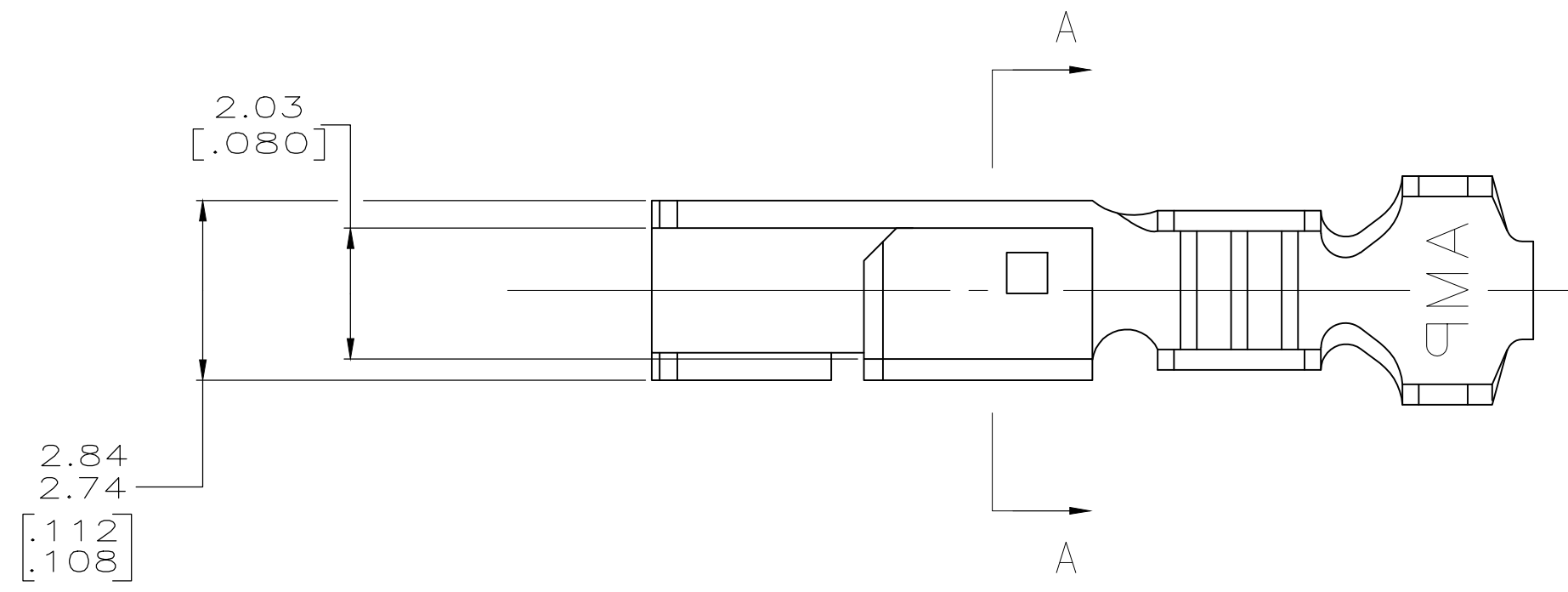
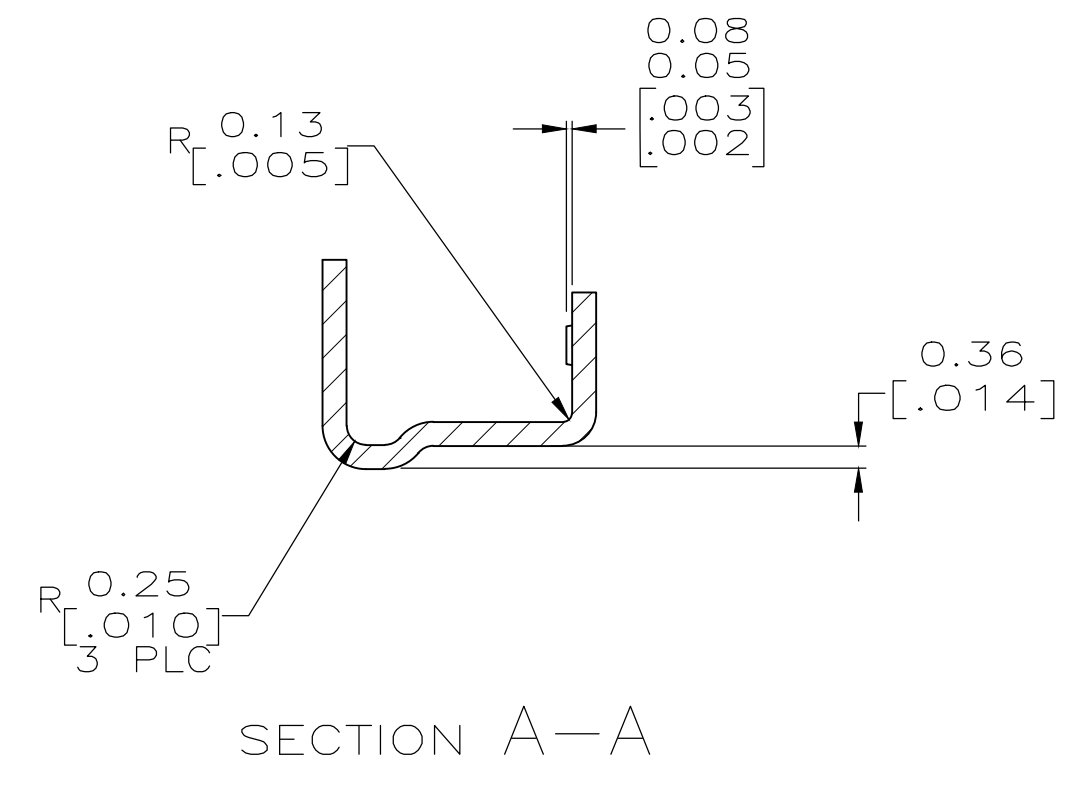


REVISIONS					
P	LTR	DESCRIPTION	DATE	DMN	APVD
F		REVISED PER ECO-19-006486	17MAY2019	RS	SG

- INSULATION RANGE: 1.09-2.79 [.043-.110]
WIRE RANGE: 0.2-0.9 mm (24-18) AWG.
- 0.00203 [.000080] MIN BRIGHT TIN-LEAD OVER 0.00127 [.000050] MIN NICKEL.
- 0.00076 [.000030] MIN THICK GOLD STRIPES IN LOCALIZED PLATE AREA ON BEAM AND DIMPLE OVER 0.00127 [.000050] MIN THICK NICKEL OVER ENTIRE CONTACT.
- DIMENSIONS IN BRACKETS ARE IN INCHES.
- 0.00203 [.000080] MATTE BRIGHT TIN OVER 0.00127 [.000050] MIN NICKEL.
- OBSOLETE



METRIC

△5	3-770522-1
△3	770522-2
△2	△6 770522-1
FINISH	PART NUMBER

THIS DRAWING IS A CONTROLLED DOCUMENT.		DIN K. WHITAKER 17MAY3006		TE Connectivity Ltd.	
DIMENSIONS: mm [INCHES]		CHK J. ELLIS 17MAY2006		RECEPTACLE, SL-156, LOOSE PIECE	
TOLERANCES UNLESS OTHERWISE SPECIFIED:		APVD J. ELLIS 17MAY2006		NAME	
0 PLC	± -	PRODUCT SPEC		SIZE	
1 PLC	± -	APPLICATION SPEC		CAGE CODE	
2 PLC	± -	ANGLES		DRAWING NO	
3 PLC	± 0.13 [.005]	MATERIAL		RESTRICTED TO	
4 PLC	± -	.318 [.0125] PH BRZ		WEIGHT	
FINISH	-	CUSTOMER DRAWING		SCALE	
		0.000000		10:1	
		A1 00779C=770522		SHEET 1 of 1	
				REV F	