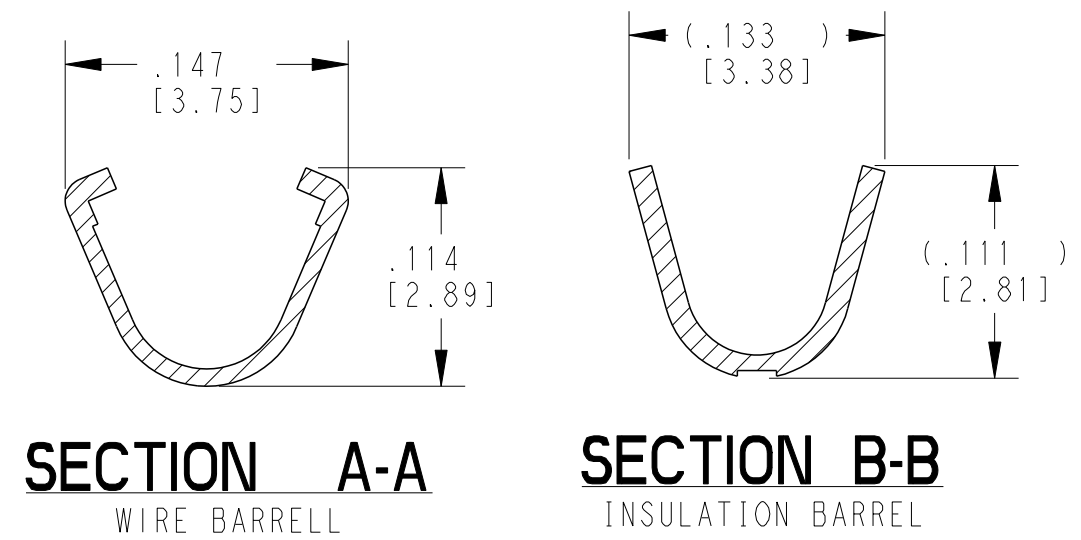
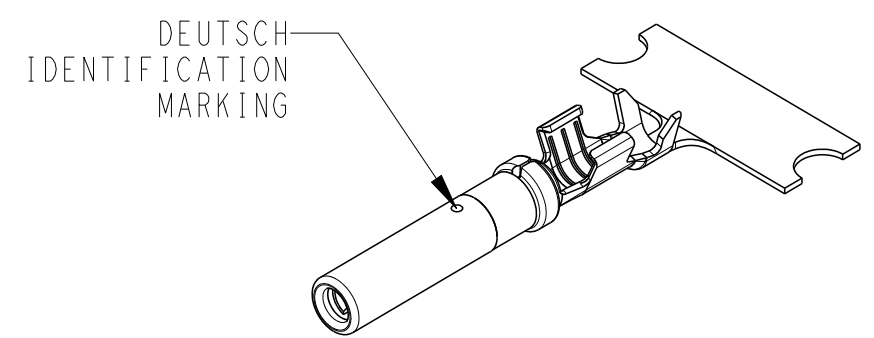


LOC	DIST	REVISIONS					
		P	LTR	DESCRIPTION	DATE	DWN	APVD
			F1	REVISED PER PCN E-17-014802	06OCT2017	AJ	DM
			G	REVISED PER PCN E-20-008101	12JUN2020	DM	DM



TE INTERNAL PN	DEUTSCH PN	PLATING
1062-16-0622	1062-16-0622	Ni/Cu overall, Sn/Ni/Cu Wire Barrel
1062-16-0644	1062-16-0644	Selective Au, Ni/Cu overall, Sn/Ni/Cu Wire Barrel
1062-16-0677	1062-16-0677	Sn/Ni/Cu overall
1062-16-0688	1062-16-0688	Selective Pd-Ni, Au/Ni/Cu overall

- △5 TIN PLATING MAY BE IN THIS REGION.
- △4 TIN PLATED REGION.
- △3 MATERIAL:  
BODY: .012 [0.30] THICK COPPER ALLOY  
SLEEVE: STAINLESS STEEL
- 2. WIRE RANGE: 20 AWG TO 16 AWG [0.5-1.0 mm<sup>2</sup>]  
INSULATION RANGE: Ø.055-.100 [Ø1.40-2.54]
- △1 44: GOLD PLATED REGION.  
88: PALLADIUM-NICKEL PLATED REGION.

NOTES: UNLESS OTHERWISE SPECIFIED

THIS DRAWING IS A CONTROLLED DOCUMENT.		DWN 28NOV2000 STEVE PALLUTH		TE Connectivity	
DIMENSIONS: INCHES [mm]		CHK 06DEC2000 VLADIMIR TOMSA			
TOLERANCES UNLESS OTHERWISE SPECIFIED:		APVD 08DEC2000 R. REED		NAME SOCKET, STAMPED AND FORMED SIZE 16 16-20AWG	
0 PLC ± 1 PLC ± 2 PLC ± 3 PLC ±0.025 [0.64] 4 PLC ± ANGLES ±		PRODUCT SPEC 108-151000		SIZE A3	
MATERIAL △3		FINISH SEE TABLE		CAGE CODE 4AFU8	
		APPLICATION SPEC 114-151000		DRAWING NO C=1062-16-06XX	
		WEIGHT 0.42 g		RESTRICTED TO -	
		Customer Drawing		SCALE 6:1	
				SHEET 1 OF 1	
				REV G	