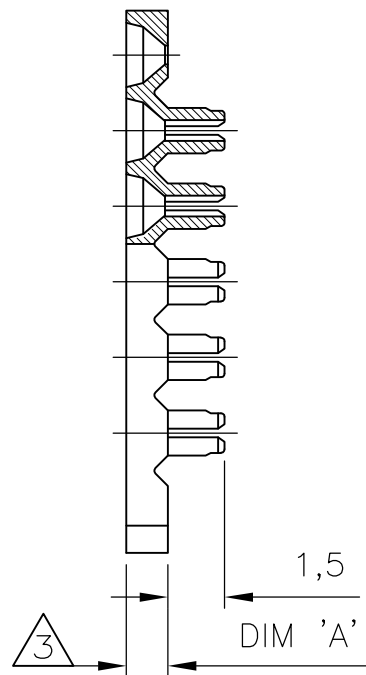
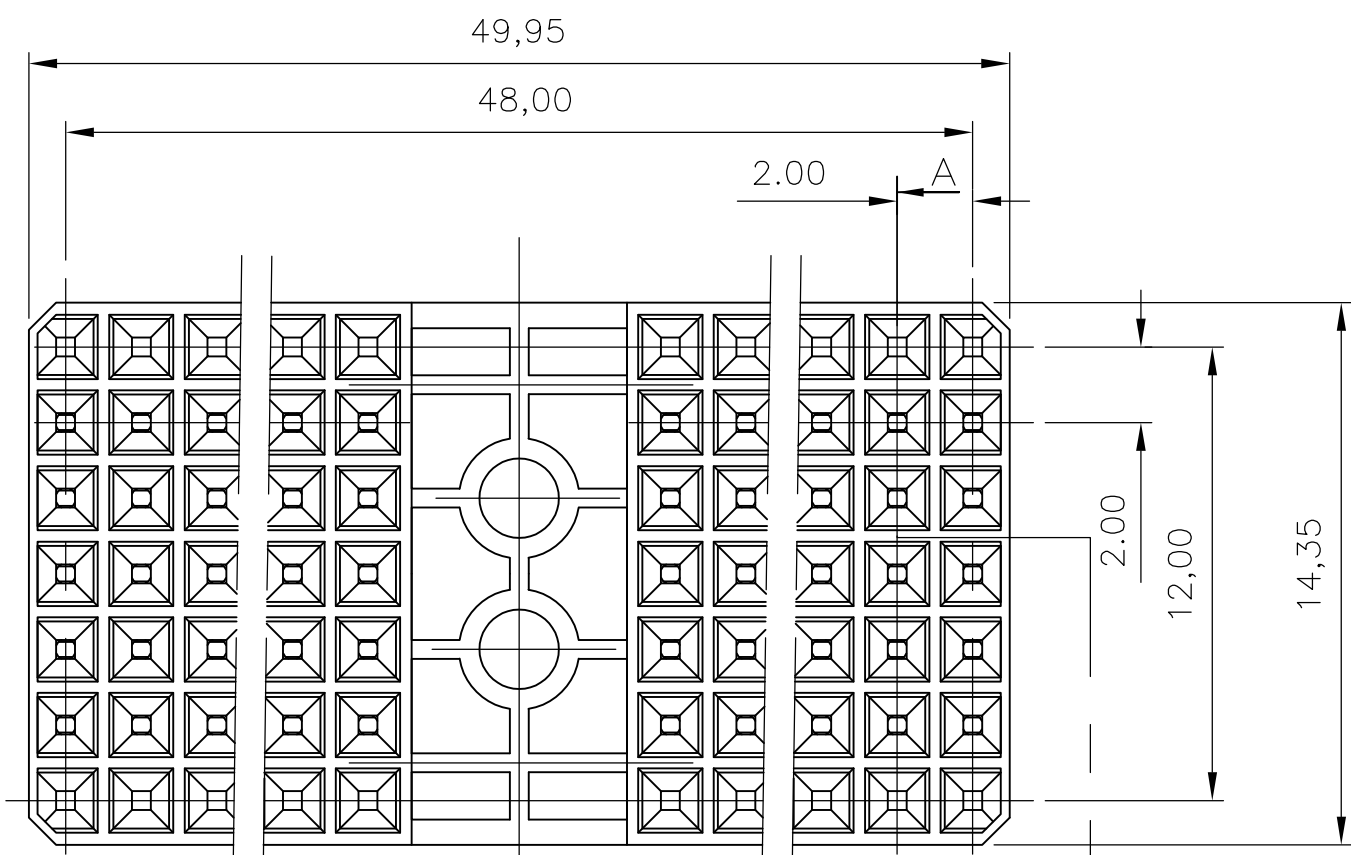


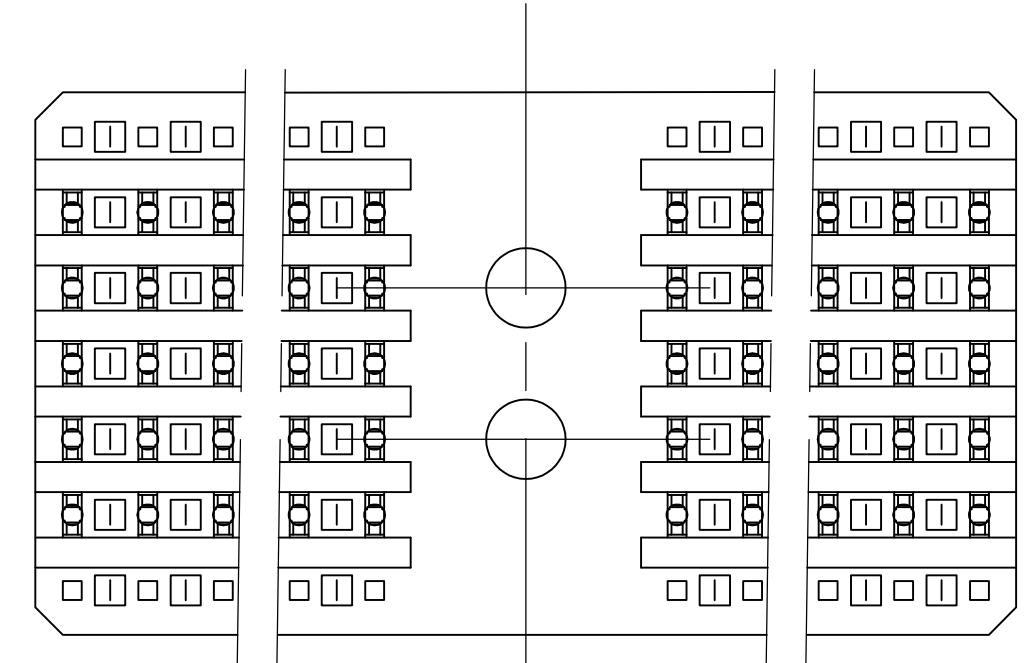
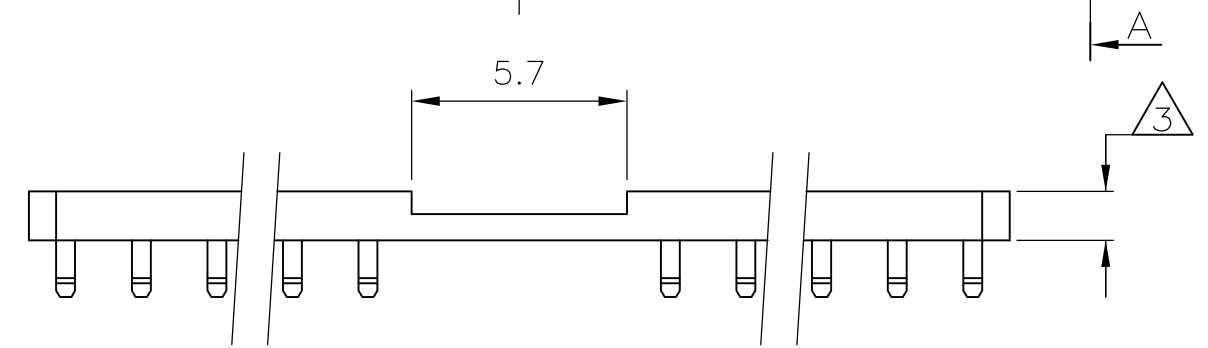
THIS DRAWING IS UNPUBLISHED. / QUESTO DISEGNO NON DEVE ESSERE DIVULGATO O RIPRODOTTO / RELEASED FOR PUBLICATION / LIBRE DE SER PUBLICADO / ALL INTERNATIONAL RIGHTS RESERVED. TODOS LOS DERECHOS RESERVADOS. LOS PRODUCTOS AMP ESTAN CUBIERTOS POR PATENTES ACTUALES O PENDIENTES / © COPYRIGHT - BY TYCO ELECTRONICS CORPORATION.

LOC	DIST	REVISIONS					
—	—	P	LTR REV	DESCRIPTION	DATE DATA	DWN DESS.	APVD APP.
		E		REVISED PER ECO-11-001163	17JAN11	RC	CW



NOTES:

- ① MATERIAL: UNFILLED POLYESTER.(GREY)
- 2. 0-106457-4 AS SHOWN.
- ③ VARIABLE HEIGHT.
- ④ TO DETERMINE THE RECOMMENDED SPACER-THICKNESS FOR A GIVEN PCB THICKNESS: SEE APPLICATION SPECIFICATION 114-19031.
- ⑤ OBSOLETE PARTS: OBSOLETE CIS STREAMLINING PER D.RENAUD/D.SINISI



	PARTNUMBER	④ DIM "A"
⑤ OBSOLETE	0-106457-1	0,7
	0-106457-2	0,9
OBSOLETE	0-106457-3	1,1
	0-106457-4	1,3
	0-106457-5	1,5
	0-106457-6	1,7
	0-106457-7	1,9

THIS DRAWING IS A CONTROLLED DOCUMENT. / QUESTO DISEGNO E' UN DOCUMENTO CONTROLLATO.		DWN/DES 29 JUNE 1993 / L.V.D.HEIJDEN		Tyco Electronics Corporation / Oostkamp, Belgium.	
DIMENSIONS: DIMENSIES mm		CHK/COMP 29 JUNE 1993 / F.V.KONINGSBRUGGE		APVD F.V.KONINGSBRUGGE	
TOLERANCES UNLESS OTHERWISE SPECIFIED: TOLERANCIAS (SUIV NB DE DECIMALES):		PRODUCT SPEC		NAME	
0 - PLC/LUG ± —		108-19082		Z-PACK 2mm HM SPACER TYPE A	
1 - PLC/LUG ± —		APPLICATION SPEC SPEC. APPLICATION		SIZE TAM CAGE CODE CODIGO DRAWING NO	
2 - PLC/DEC ± ±0.2		114-19029		A3 00779 C- 106457	
3 - PLC/LUG ± —		WEIGHT PESO		RESTRICTED TO RESERVE A	
4 - PLC/LUG ± —		—		—	
ANGLES/ANGULARES ± —		MATERIAL		UNIQUEMENT POUR REFERENCE	
①		FINISH/OBERFLAECHE/FARBE ACABADO		SCALE ESCALA	
SEE TABLE		CUSTOMER DRAWING/PLAN CLIENT		SHEET FEUILLE 1 OF 1	
				REV E	